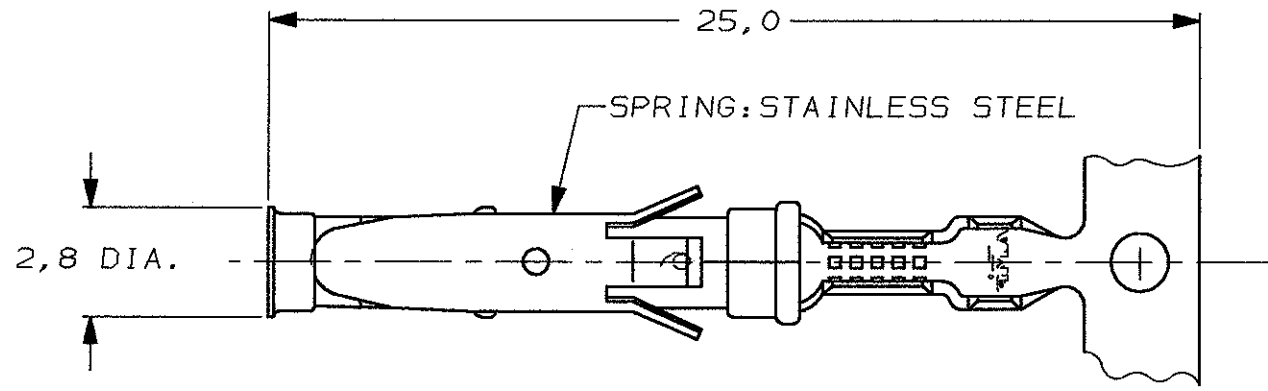
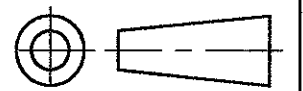


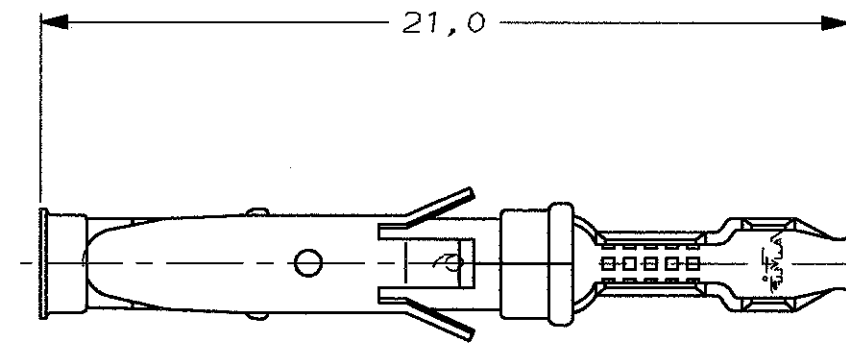
DO NOT SCALE
DIMENSIONS IN mm

METRIC

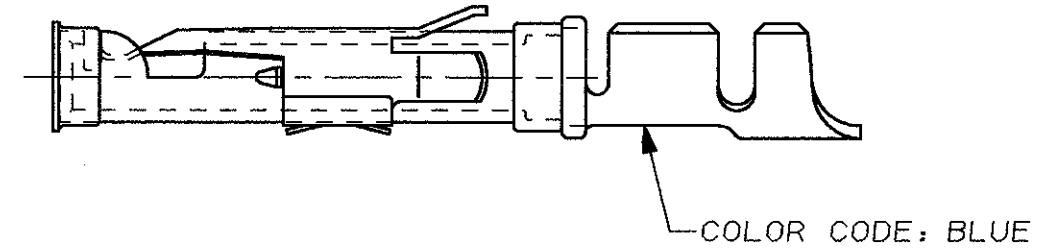
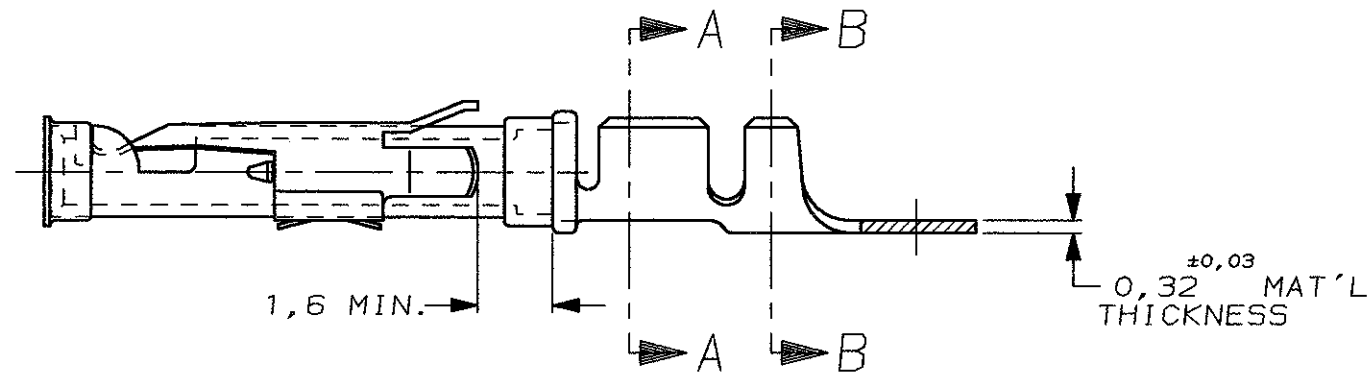
THIRD ANGLE
PROJECTION



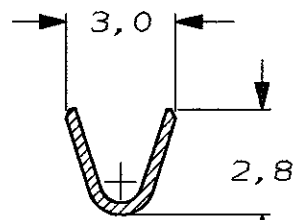
STRIP



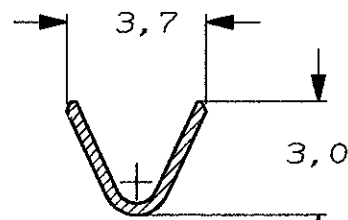
LOOSE-PIECE



COLOR CODE: BLUE



SECTION A-A



SECTION B-B

WIRE RANGE : 0,75-1,50 mm² (18-16 AWG)
INSUL. RANGE : 2,0 -2,5 mm (.080-.100)

NOTES :

- ① U.L. RECOGNIZED UNDER FILE E28476 VOL. VI SEC. I
- ② FOR CRIMP DETAILS SEE AMP-SPEC. 114-19.000
- ③ MEETS PRODUCT SPECIFICATION 108-10042.
- ④ SPECIAL REEL WITH 200 PCS FOR REEL-FED HAND TOOL.
- ⑤ OBSOLETE PARTS: OBSOLETE CIS STREAMLINING PER D.RENAUD/D.SINISI

NOTES	MATERIAL	THICKNESS	AREA
20	TIN	2,0 μm	ALL OVER
21	NICKEL GOLD TIN/LEAD	0,8 μm	ALL OVER CONTACT AREA BARREL
22	NICKEL GOLD GOLD	0,8 μm	ALL OVER CONTACT AREA ALL OVER
23	NICKEL GOLD GOLD	1,2 μm	ALL OVER CONTACT AREA ALL OVER
27	NICKEL SILVER TIN/LEAD	2,5 μm	ALL OVER CONTACT AREA BARREL
28	SILVER NICKEL	1,5-2,5 μm 0,76 μm	ALL OVER ALL OVER
29	SILVER	2,5 μm	ALL OVER
30	NICKEL TIN/LEAD	1,27 μm 1,27 μm	ALL OVER ALL OVER
31	LUBRICATED		

REVISION	DESCRIPTION	PARTNUMBER	DIRECTION OF REEL	LOOSE-PIECE	MATERIAL	PLATING
5	OBSOLETE	5-163083-3	4		BRASS	ECON. GOLD
		5-163083-2	4		BRASS	SEL. GOLD
		5-163083-1	4		BRASS	EL. TIN
		1-163083-4	A	1-163084-4	BRASS	EL. TIN
5	OBSOLETE	1-163083-3	A	1-163084-3	BRASS	BR. TIN/LEAD
		1-163083-2	A		BRASS	SILVER
		1-163083-1	A		BRASS	ECON. GOLD
		1-163083-0	B	1-163084-0	BRASS	ECON. GOLD
		163083-9	B		BRASS	SILVER
		163083-8	A		BRASS	EL. TIN
		163083-7	A		BRASS	SEL. GOLD
		163083-2	B	163084-2	BRASS	SEL. GOLD
		163083-1	B	163084-1	BRASS	EL. TIN

FIGURE	REVISION	DESCRIPTION
107-3-FIG.1	A	DIRECTION OFF TOP OF REEL AMPOMATOR + MINI-APPL.
107-3-FIG.2	B	
107-3-FIG.4	C	

REV.	DESCRIPTION	BY	CHK.	DATE
AZ1	ECO-10-000445	KK	HMR	19JAN10
AZ	EBD0-0003-05	AM	FWK	05/01/05
AY	EBD0-0335-04	JMS	FWK	02/08/04
V	EH-1020-98	D.K.	R.V.	08 JUL 98
U	EH-1347-96	JvL	RV	21-11-96
T	EH-0302-94	JvL	MVD	03-05-94
S	ECN H-9813	JvdH	RD	18-05-92
LTR.	REVISION RECORD	DR.	CHK.	DATE

CUSTOMER DRAWING FOR REFERENCE ONLY
WILL NOT BE UPDATED
© COPYRIGHT 19- BY AMP HOLLAND B.V.
ALL INTERNATIONAL RIGHTS RESERVED. AMP PRODUCTS MAY BE COVERED BY U.S. AND FOREIGN AND/OR PATENTS PENDING.
THIS DRAWING IS UNPUBLISHED
RELEASED FOR PUBLICATION _____, 19__



NAME
SOCKET TYPE III CONTACT
SIZE 16
DRG. No. 163083
REV. LTR. AZ1
SHEET 1 OF 1
A3