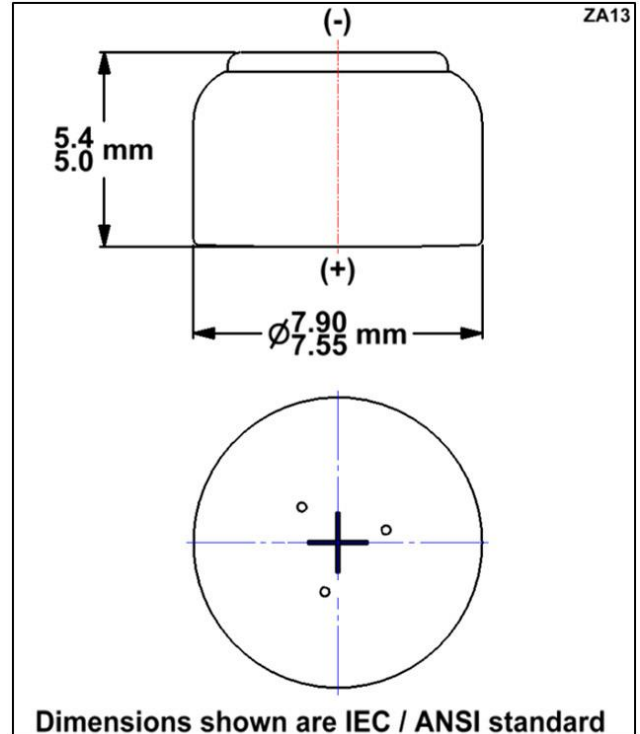
	
Nominal Voltage	1.45 V
Rated Capacity	300 mAh at 1500 ohm to 1.1 V @ 21°C and 50% RH
Typical Impedance (Fresh)	4.5 ohm @ 1kHz
Typical Weight	0.83 g (0.029 oz)
Volume	0.26 cm <sup>3</sup> (0.016 in <sup>3</sup> )
Terminals	Flat
Operating Temperature Range	0°C to 50°C (32°F to 122°F)
Recommended Storage Temperature	5°C to 30°C with 40-80% RH
Shelf Life	4 years unactivated @ 21°C
Designation	ANSI: 7000Z IEC: PR48



### Typical Discharge Characteristics at 21°C (70°F) and 50% RH

