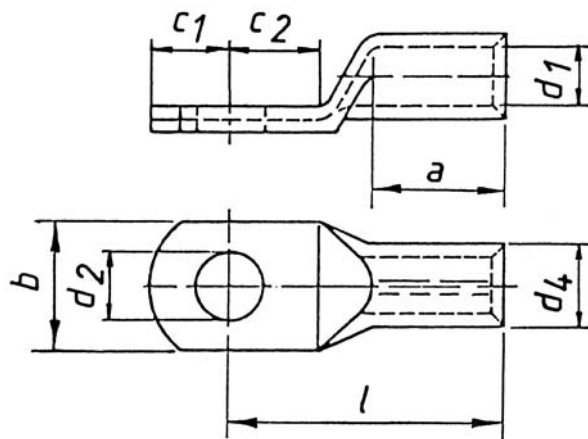


cosses standards

cosses tubulaires, utilisation normale

finition: normale
 matériel: tube E-CU
 surface: étamage galvanisé
 livraison: avec ou sans fenêtre d'inspection



assortiment

| gamme | référence de commande | section mm ² | borne de raccord Ø | dimensions mm | | | | | | | | | poids kg/100 pièces | emballage pièces | code fournisseur |
|-------|-----------------------|-------------------------|--------------------|---------------|----|----|------|------|------|------|----|------|---------------------|------------------|------------------|
| | | | | d1 | a | b | d2 | d4 | c1 | c2 | l | | | | |
| 120 | 1R/6 | 5 | M6 | 3,5 | 9 | 12 | 6,5 | 6,5 | 6,5 | 7,5 | 21 | 0,47 | 100 | 1R6 | |
| 120 | 1R/8 | 5 | M8 | 3,5 | 9 | 15 | 8,5 | 6,5 | 10,0 | 10,0 | 23 | 0,54 | 100 | 1R8 | |
| 120 | 1R/10 | 5 | M10 | 3,5 | 9 | 17 | 10,5 | 6,5 | 12,0 | 12,0 | 25 | 0,59 | 100 | 1R10 | |
| 120 | 2R/5 | 10 | M5 | 4,5 | 10 | 12 | 5,5 | 7,0 | 6,5 | 7,5 | 22 | 0,50 | 100 | 2R5 | |
| 120 | 2R/6 | 10 | M6 | 4,5 | 10 | 12 | 6,5 | 7,0 | 6,5 | 7,5 | 22 | 0,49 | 100 | 2R6 | |
| 120 | 2R/8 | 10 | M8 | 4,5 | 10 | 15 | 8,5 | 7,0 | 10,0 | 10,0 | 25 | 0,58 | 100 | 2R8 | |
| 120 | 2R/10 | 10 | M10 | 4,5 | 10 | 17 | 10,5 | 7,0 | 12,0 | 12,0 | 27 | 0,62 | 100 | 2R10 | |
| 120 | 2R/12 | 10 | M12 | 4,5 | 10 | 19 | 13,0 | 7,0 | 13,0 | 13,0 | 29 | 0,64 | 100 | 2R12 | |
| 120 | 3R/5 | 16 | M5 | 5,5 | 13 | 12 | 5,5 | 8,5 | 5,5 | 6,5 | 26 | 0,84 | 100 | 3R5 | |
| 120 | 3R/6 | 16 | M6 | 5,5 | 13 | 12 | 6,5 | 8,5 | 6,3 | 7,5 | 27 | 0,86 | 100 | 3R6 | |
| 120 | 3R/8 | 16 | M8 | 5,5 | 13 | 15 | 8,5 | 8,5 | 8,5 | 9,5 | 29 | 0,93 | 100 | 3R8 | |
| 120 | 3R/10 | 16 | M10 | 5,5 | 13 | 17 | 10,5 | 8,5 | 10,5 | 11,5 | 31 | 0,99 | 100 | 3R10 | |
| 120 | 3R/12 | 16 | M12 | 5,5 | 13 | 19 | 13,0 | 8,5 | 12,0 | 13,0 | 33 | 1,02 | 100 | 3R12 | |
| 120 | 4R/6 | 25 | M6 | 7,0 | 15 | 14 | 6,5 | 10,0 | 7,5 | 7,5 | 30 | 1,20 | 100 | 4R6 | |
| 120 | 4R/8 | 25 | M8 | 7,0 | 15 | 16 | 8,5 | 10,0 | 10,0 | 10,0 | 32 | 1,31 | 100 | 4R8 | |
| 120 | 4R/10 | 25 | M10 | 7,0 | 15 | 18 | 10,5 | 10,0 | 12,0 | 12,0 | 34 | 1,57 | 100 | 4R10 | |
| 120 | 4R/12 | 25 | M12 | 7,0 | 15 | 19 | 13,0 | 10,0 | 13,0 | 13,0 | 35 | 1,39 | 25 | 4R12 | |
| 120 | 5R/6 | 35 | M6 | 8,5 | 17 | 17 | 6,5 | 12,0 | 7,5 | 7,5 | 32 | 1,85 | 100 | 5R6 | |

| gamme | référence de commande | section | borne de raccord | dimensions mm | | | | | | | | poids | emballage | code |
|-------|-----------------------|-----------------|------------------|---------------|----|----|------|------|------|------|----|---------------|-----------|-------------|
| | | mm ² | Ø | d1 | a | b | d2 | d4 | c1 | c2 | l | kg/100 pièces | pièces | fournisseur |
| 120 | 5R/8 | 35 | M8 | 8,5 | 17 | 17 | 8,5 | 12,0 | 10,0 | 10,0 | 34 | 2,00 | 100 | 5R8 |
| 120 | 5R/10 | 35 | M10 | 8,5 | 17 | 19 | 10,5 | 12,0 | 12,0 | 12,0 | 37 | 2,13 | 100 | 5R10 |
| 120 | 5R/12 | 35 | M12 | 8,5 | 17 | 21 | 13,0 | 12,0 | 13,0 | 13,0 | 38 | 2,12 | 100 | 5R12 |
| 120 | 5R/14 | 35 | M14 | 8,5 | 17 | 21 | 15,0 | 12,0 | 14,5 | 14,5 | 40 | 2,18 | 25 | 5R14 |
| 120 | 5R/16 | 35 | M16 | 8,5 | 17 | 26 | 17,0 | 12,0 | 16,0 | 16,0 | 42 | 2,24 | 25 | 5R16 |
| 120 | 6R/6 | 50 | M6 | 10,0 | 19 | 20 | 6,5 | 14,0 | 10,0 | 10,0 | 37 | 3,00 | 25 | 6R6 |
| 120 | 6R/8 | 50 | M8 | 10,0 | 19 | 20 | 8,5 | 14,0 | 10,0 | 10,0 | 37 | 2,93 | 50 | 6R8 |
| 120 | 6R/10 | 50 | M10 | 10,0 | 19 | 20 | 10,5 | 14,0 | 12,0 | 12,0 | 39 | 3,08 | 50 | 6R10 |
| 120 | 6R/12 | 50 | M12 | 10,0 | 19 | 23 | 13,0 | 14,0 | 13,0 | 13,0 | 43 | 3,23 | 50 | 6R12 |
| 120 | 6R/16 | 50 | M16 | 10,0 | 19 | 28 | 17,0 | 14,0 | 16,0 | 16,0 | 46 | 3,38 | 25 | 6R16 |
| 120 | 7R/8 | 70 | M8 | 12,0 | 21 | 23 | 8,5 | 16,5 | 10,0 | 10,0 | 43 | 4,38 | 50 | 7R8 |
| 120 | 7R/10 | 70 | M10 | 12,0 | 21 | 23 | 10,5 | 16,5 | 12,0 | 12,0 | 44 | 4,54 | 50 | 7R10 |
| 120 | 7R/12 | 70 | M12 | 12,0 | 21 | 23 | 13,0 | 16,5 | 13,0 | 13,0 | 46 | 4,63 | 50 | 7R12 |
| 120 | 8R/8 | 95 | M8 | 13,5 | 25 | 26 | 8,5 | 18,0 | 12,0 | 12,0 | 48 | 5,44 | 25 | 8R8 |
| 120 | 8R/10 | 95 | M10 | 13,5 | 25 | 26 | 10,5 | 18,0 | 12,0 | 12,0 | 48 | 5,40 | 50 | 8R10 |
| 120 | 8R/12 | 95 | M12 | 13,5 | 25 | 26 | 13,0 | 18,0 | 13,0 | 13,0 | 49 | 5,56 | 50 | 8R12 |
| 120 | 8R/16 | 95 | M16 | 13,5 | 25 | 28 | 17,0 | 18,0 | 16,0 | 16,0 | 54 | 5,82 | 50 | 8R16 |
| 120 | 9R/8 | 120 | M8 | 15,0 | 26 | 28 | 8,5 | 19,5 | 14,0 | 14,0 | 51 | 6,72 | 25 | 9R8 |
| 120 | 9R/10 | 120 | M10 | 15,0 | 26 | 28 | 10,5 | 19,5 | 14,0 | 14,0 | 51 | 6,57 | 50 | 9R10 |
| 120 | 9R/12 | 120 | M12 | 15,0 | 26 | 28 | 13,0 | 19,5 | 14,0 | 14,0 | 51 | 6,38 | 50 | 9R12 |
| 120 | 9R/14 | 120 | M14 | 15,0 | 26 | 28 | 15,0 | 19,5 | 15,0 | 15,0 | 52 | 6,45 | 25 | 9R14 |
| 120 | 10R/10 | 150 | M10 | 16,5 | 30 | 31 | 10,5 | 21,0 | 14,0 | 14,0 | 56 | 7,62 | 10 | 10R10 |
| 120 | 10R/12 | 150 | M12 | 16,5 | 30 | 31 | 13,0 | 21,0 | 15,0 | 15,0 | 57 | 7,73 | 25 | 10R12 |
| 120 | 11R/10 | 185 | M10 | 19,0 | 30 | 35 | 10,5 | 24,0 | 18,0 | 18,0 | 65 | 11,75 | 10 | 11R10 |
| 120 | 11R/12 | 185 | M12 | 19,0 | 30 | 35 | 13,0 | 24,0 | 18,0 | 18,0 | 65 | 11,82 | 10 | 11R12 |
| 120 | 11R/16 | 185 | M16 | 19,0 | 30 | 35 | 17,0 | 24,0 | 18,0 | 18,0 | 65 | 11,24 | 25 | 11R16 |
| 120 | 11R/20 | 185 | M20 | 19,0 | 30 | 39 | 21,0 | 24,0 | 22,0 | 22,0 | 69 | 12,00 | 10 | 11R20 |
| 120 | 12R/10 | 240 | M10 | 21,0 | 35 | 39 | 10,5 | 26,0 | 21,5 | 19,0 | 72 | 14,72 | 10 | 12R10 |
| 120 | 12R/12 | 240 | M12 | 21,0 | 35 | 39 | 13,0 | 26,0 | 21,5 | 19,0 | 72 | 14,55 | 10 | 12R12 |
| 120 | 12R/16 | 240 | M16 | 21,0 | 35 | 39 | 17,0 | 26,0 | 21,5 | 19,0 | 72 | 14,09 | 25 | 12R16 |
| 120 | 12R/20 | 240 | M20 | 21,0 | 35 | 39 | 21,0 | 26,0 | 21,5 | 19,0 | 72 | 13,60 | 10 | 12R20 |
| 120 | 13R/16 | 300 | M16 | 23,5 | 44 | 43 | 17,0 | 29,5 | 24,0 | 24,0 | 87 | 22,74 | 5 | 13R16 |

articles avec fenêtre d'inspection: référence complétée avec 'ms'
 les articles stockés sont imprimés en gras