

connector - with screw terminals one piece housing

Product description

Order number	304-TLS
EAN/pcs	4024941192309
Product Group	TLS connector Multi-Grip cable gland
Amperage	32A
Poles	5p (3p+N+PE)
Earth 'Clock' Position	6 h
Voltage	200/346 up to 240/415V
Frequency	50 and 60Hz
Protection	IP44
Color code	red RAL 3000
Connection Design	screw terminal
Max. conductor	6,0 mm ²

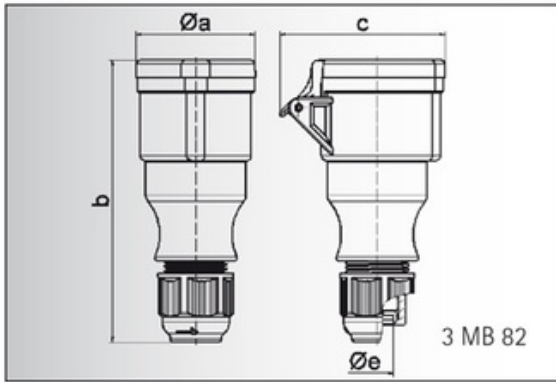


Further Information

Additional technical information	Multi-Grip cable gland with gasket and integrated strain relief one piece housing For cable diameter from 11 up to max. 23,5 mm
----------------------------------	---------------------------------------------------------------------------------------------------------------------------------------

Material

Material of Enclosure	Polyamide
Contact / Contact Carrier	contact carrier made of polyamide, the contacts are brass
Weight/pcs	0.260 kg
Packaging unit	10 pcs



Ampere	16	16	16	32	32	32
Polzahl	3	4	5	3	4	5
a ø	51,0	58,0	65,0	67,0	67,0	73,0
b	145,0	148,0	156,0	185,0	185,0	185,0
c	74,0	84,0	90,0	94,0	94,0	102,0
e ø	18,0	18,0	18,0	23,0	23,0	23,0
Leiter mm ² min	1	1	1	2,5	2,5	2,5
Leiter mm ² max	2,5	2,5	2,5	6	6	6