

# plug - with TE screw terminals, for harsh applications

## Product description

Order number	2199
EAN/pcs	4024941021999
Product Group	TE plug with Multi-Grip cable gland
Amperage	125A
Poles	5p (3p+N+PE)
Earth 'Clock' Position	6 h
Voltage	200/346 up to 240/415V
Frequency	50 and 60Hz
Protection	IP67
Color code	red RAL 3000
Connection Design	screw terminal as box terminal
Max. conductor	50.0 mm <sup>2</sup>

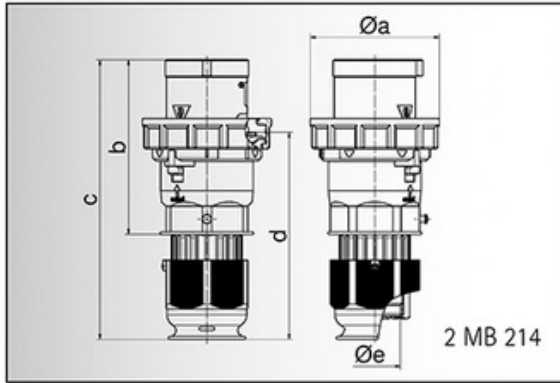


## Further Information

Additional technical information	For cable diameter from 26 up to max. 50 mm Multi-Grip cable gland with gasket, integrated cable clamp and additional water evacuation openings
----------------------------------	--

## Material

Material of Enclosure	Polyamide
Contact / Contact Carrier	contact carrier made of high temperature resistant material, contacts and box terminals are brass nickel plated
Weight/pcs	1.235 kg
Packaging unit	5 pcs



Ampere	125	125	125
Polzahl	3	4	5
a ø	126,0	126,0	126,0
b	181,0	181,0	181,0
c	282,0	282,0	282,0
d	206,0	206,0	206,0
e ø	50,0	50,0	50,0
Leiter mm <sup>2</sup> min	16	16	16
Leiter mm <sup>2</sup> max	50	50	50