

connector - with TE screw terminals, for harsh applications



Product description

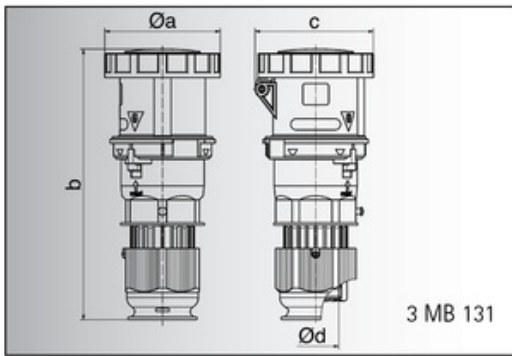
Order number	3199
EAN/pcs	4024941031998
Product Group	TE connector Multi-Grip Cable gland
Amperage	125A
Poles	5p (3p+N+PE)
Earth 'Clock' Position	6 h
Voltage	200/346 up to 240/415V
Frequency	50 and 60Hz
Protection	IP67
Color code	red RAL 3000
Connection Design	screw terminal as box terminal with Kontex-contact
Max. conductor	50.0 mm ²

Further Information

Additional technical information	Multi-Grip cable gland with gasket, integrated cable clamp and additional water evacuation openings For cable diameter from 26 up to max. 50 mm
----------------------------------	--

Material

Material of Enclosure	Polyamide
Contact / Contact Carrier	contact carrier made of Polyamide, contacts are brass nickel plated
Weight/pcs	1.300 kg
Packaging unit	5 pcs



Ampere	125	125	125
Polzahl	3	4	5
a ø	125,0	125,0	125,0
b	295,0	295,0	295,0
c	128,0	128,0	128,0
d ø	50,0	50,0	50,0
Leiter mm2	16	16	16
min	50	50	50
Leiter mm2			
max			