

Mini-Com™ 45mm x 45mm Adapters and Adapter Kits

specifications

45mm x 45mm adapters shall be available in various ports and style configurations including spring-shuttered doors that protect connectors from dust and debris when not in use, and a sloped design for bend radius control. Adapters shall be compatible with standard 45mm x 45mm openings. Mounting tabs allow adapters to mount sideways when required. All adapters shall accept Mini-Com™ Modules for copper, fibre, and audio/video installations.



technical information

Mounting options:	Adapters snap into standard 45mm x 45mm faceplate openings
Number of ports:	1-port and 2-port configuration
Packaging:	Adapter kits include CBAFW plus the designated insert; select kits include labels and label covers Adapters include a dedicated single piece product; select adapters include labels and label covers

key features and benefits

Modular:	Accepts all Mini-Com™ Modules, which snap in and out for easy moves, adds, and changes
Shuttered feature:	Select adapters include spring-shuttered doors to prevent dust and debris from touching contacts when patch cords are not connected
Labels and label covers:	Select adapters include a label pocket and icon slots to meet TIA/EIA-606A labelling standards
Mounting flexibility:	Mounting tabs allow product to securely mount sideways when required
Sloped design:	Select adapters are sloped, allowing proper bend radius control

applications

Panduit™ Mini-Com™ adapters offer an aesthetic solution that complements work areas while offering modularity for installation flexibility. Mini-Com™ Adapters support all Mini-Com™ Copper, Fibre, and Audio/Video Applications.

As part of a global workstation outlet solution offered by Panduit, Mini-Com™ 45mm x 45mm Adapters mount to FAF80AW and to select industry standard frames that have a 45mm x 45mm opening. Panduit 45mm x 45mm adapters and adapter kits offer a variety of features: spring-shuttered doors to protect connections from dust and debris; single- or dual-port density; labelling and icon options; and sloped design for bend radius control.

Adapter Kits (Frame and ½-Size Insert)

Frame with 2-port flat insert:	CFPFF2AW*
Frame with 1-port sloped, shuttered insert:	CFPFS1SAW
Frame with 2-port sloped insert:	CFPFS2AW*
Frame with 2-port sloped, shuttered insert:	CFPFS2SAW*
Frame with 2-port sloped, shuttered insert with labels:	CFP45LS2SAW*

45mm x45mm Adapters (One-Piece Design)

45mm x 45mm frame:	CBAFW
1-port sloped, shuttered with label and icon slots:	CFPFLS1SAW
2-port sloped, shuttered with label and icon slots:	CFPFLS2SAW

22.5mm x 45mm Adapter

1-port shuttered:	CFA1SAW-X
--------------------------	-----------

Faceplate Frame

80mm x 80mm with 45mm x 45mm opening:	FAF80AW
--	---------

Modules

All adapters can be used with Mini-Com™ Modules for copper, fibre, or audio/video applications. Visit www.panduit.com for the complete selection. Shuttered adapters are not suitable for use with any audio/video or fibre connector module that protrudes beyond the face of the insert.

Icons:

Icons, phone:	CIP^C
Icons, data:	CID^C

Labels:

See table on page 2

*All adapters and adapter kits are available in AW (Arctic White). Visit www.panduit.com or contact customer service for availability of other colours.
^To designate colour, replace ^ with colour designation: AW (Arctic White), IG (International Grey), BL (Black), EI (Electric Ivory), WH (White), IW (Off White), BU (Blue), GR (Green), OR (Orange), RD (Red), VL (Violet), or YL (Yellow).

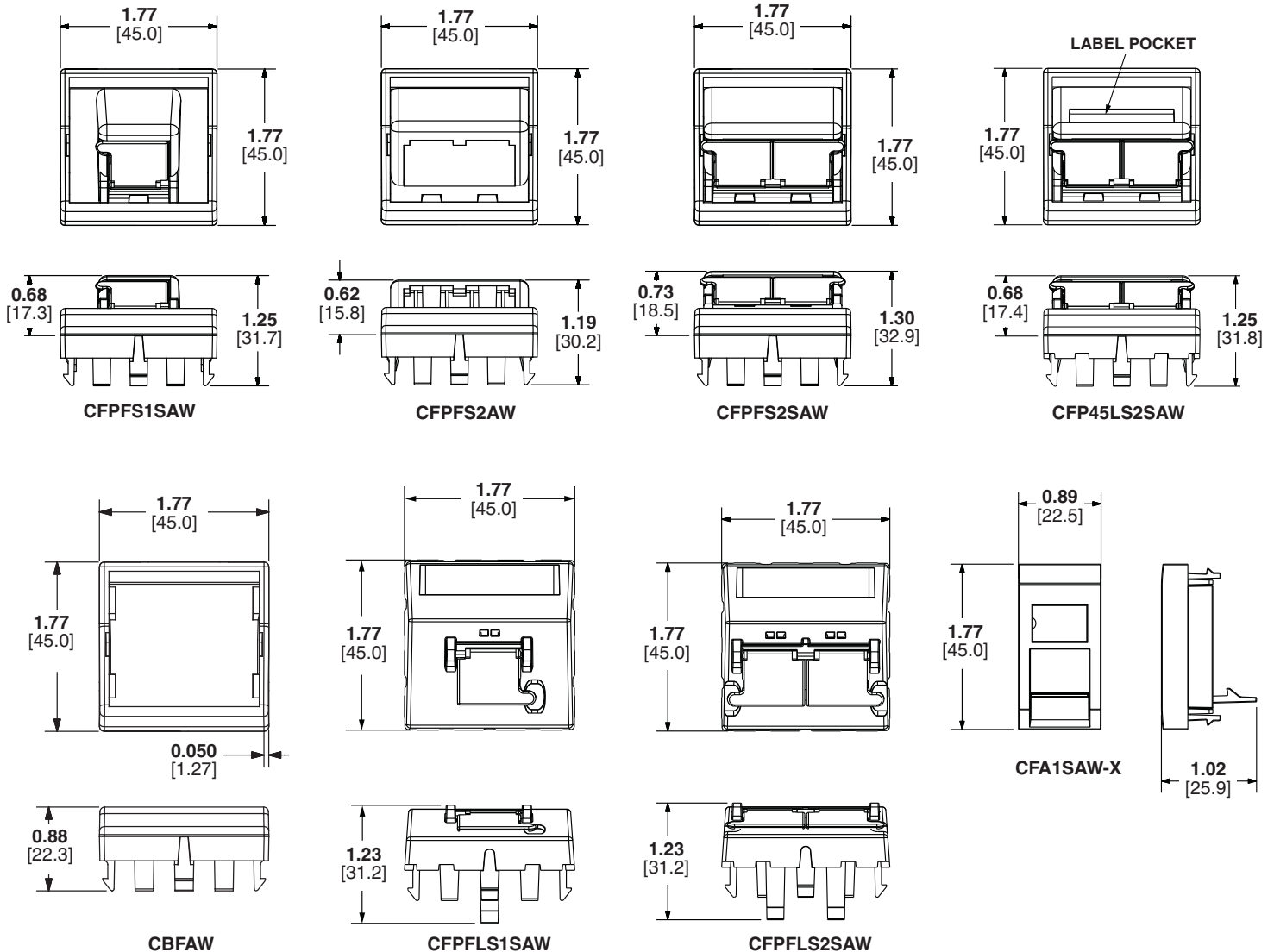
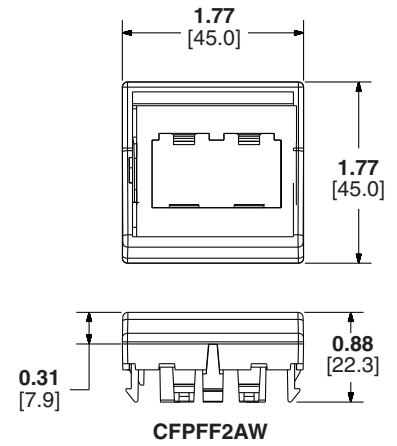
Mini-Com™ 45mm x 45mm Adapters and Adapter Kits

Label options

	Individual labels w/covers	Laser/Ink Jet Desktop Printer label	TDP43ME Thermal Transfer Desktop Printer label	PanTher™ LS8E Hand-Held Printer label
CFPFLS1SAW CFPFLS2SAW	RL505BK-X	C150X030Y1J	C150X030Y1T	C150X030Y1C
CFP45LS2SAW	—	—	—	UILS8BW
CFA1SAW-X	—	—	T031X000FJT‡	—
CFPFF2AW CFPFS2AW CFPFS2SAW	—	C125X030FJJ*	T031X000FJT‡	C125X030FJC*
CFPFS1SAW	—	C061X030FJJ*	T031X000FJT‡	C061X030FJC*

*adhesive

‡ do not remove liner for non-adhesive



Dimensions are in inches. [Dimensions in brackets are metric].

WORLDWIDE SUBSIDIARIES AND SALES OFFICES

PANDUIT CANADA
Markham, Ontario
cs-cdn@panduit.com
Phone: 800.777.3300

PANDUIT EUROPE LTD.
London, UK
cs-emea@panduit.com
Phone: 44.20.8601.7200

PANDUIT SINGAPORE PTE. LTD.
Republic of Singapore
cs-ap@panduit.com
Phone: 65.6305.7575

PANDUIT JAPAN
Tokyo, Japan
cs-japan@panduit.com
Phone: 81.3.6863.6000

PANDUIT LATIN AMERICA
Guadalajara, Mexico
cs-la@panduit.com
Phone: 52.33.3777.6000

PANDUIT AUSTRALIA PTY. LTD.
Victoria, Australia
cs-aus@panduit.com
Phone: 61.3.9794.9020

For a copy of Panduit product warranties, log on to www.panduit.com/warranty

For more information

Visit us at www.panduit.com

Contact Customer Service by email: cs@panduit.com
or by phone: 800.777.3300 and reference OTSP28

PANDUIT™

©2012 Panduit Corp.
ALL RIGHTS RESERVED.
OTSP28--WW-ENG
8/2012