

connector - with TE screw terminals, for harsh applications

Product description

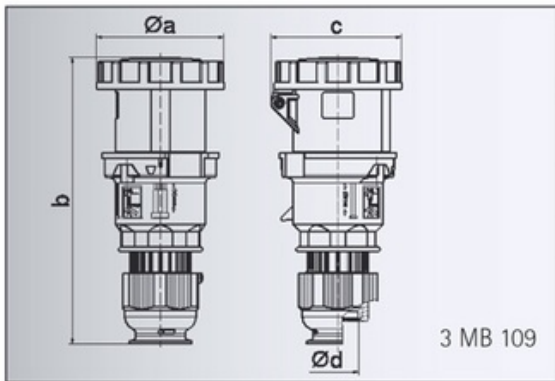
Order number	3124
EAN/pcs	4024941031240
Product Group	TE connector Multi-Grip Cable gland
Amperage	63A
Poles	5p (3p+N+PE)
Earth 'Clock' Position	6 h
Voltage	200/346 up to 240/415V
Frequency	50 and 60Hz
Protection	IP67
Color code	red RAL 3000
Connection Design	screw terminal as box terminal with Kontex-contact
Max. conductor	16,0 mm ²



Further Information

Additional technical information	For cable diameter from 16 up to max. 36 mm Multi-Grip cable gland with gasket, integrated cable clamp and additional water evacuation openings Screwless housing connection
----------------------------------	--

Material	
Material of Enclosure	Polyamide
Contact / Contact Carrier	contact carrier made of high temperature resistant material, contacts and box terminals are brass nickel plated
Weight/pcs	0.720 kg
Packaging unit	5 pcs



Ampere	63	63	63
Polzahl	3	4	5
a ø	110,0	110,0	110,0
b	251,0	251,0	251,0
c	113,0	113,0	113,0
d ø	36,0	36,0	36,0
Leiter mm² min	6	6	6
Leiter mm² max	16	16	16