

**Technical data**

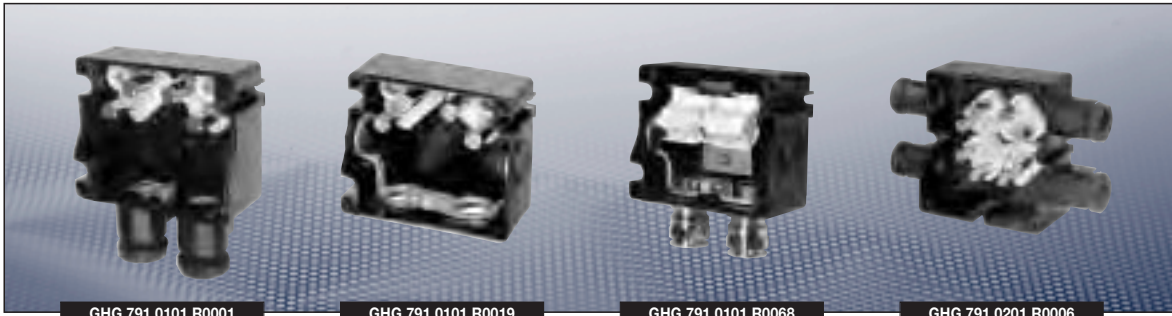
| GHG 791 01 up to 6 terminals   GHG 791 02 up to 6 terminals |   |
|---|---|
| Marking to 94/9/EC  | Ⓔ II 2 G Ex dem ia II, IIC / Ⓔ II 2 D Ex tD A21 IP66 T80 °C   |
| EC-Type Examination Certificate                             | PTB 00 ATEX 3108  |
| IECEX certification of conformity                           | IECEX BK1 07.0034   |
| Marking accd. to IECEx                                      | Ex e II T6 / Ex ia IIC T6<br>Ex tD A21 IP66 T58 °C  |
| Permissible ambient temperature                             | -20 °C to +40 °C / -55 °C to +40 °C (option)  |
| Rated voltage   | 690 V / 550 V <sup>1)</sup>   |
| Rated current   | depends on terminal cross section   |
| Connecting terminals  | max. 4 x 4 mm <sup>2</sup> /PE 4 x 2.5 mm <sup>2</sup> (multi-wire)<br>max. 2 x 6 mm <sup>2</sup> /PE 4 x 4 mm <sup>2</sup> (solid-wire) or 2 x 6 mm <sup>2</sup> + 1 x 2.5 mm <sup>2</sup> |
| Insulation class  | I   |
| Degree of protection accd. EN 60529                         | IP66  |
| Enclosure material  | Polyamide   |

| GHG 791 01 up to 6 terminals  |   |
|-------------------------------|---|
| Cable glands/enclosure thread | max. 4 x M25 for cable Ø 8 - 17 mm<br>max. 4 x M20 metal thread |
| Dimensions (L x W x H)        | 81.5 x 100 x 61 mm  |
| Weight                        | approx. 0.3 kg  |

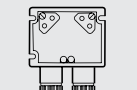
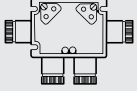
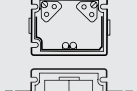
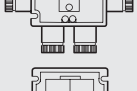

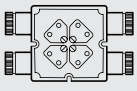
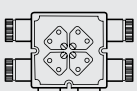
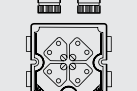
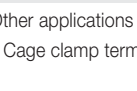

| GHG 791 02 up to 6 terminals  |  |
|-------------------------------|--|
| Cable glands/enclosure thread | max. 6 x M25 for cable Ø 8 - 17 mm<br>max. 6 x M32 for cable Ø 12 - 21 mm<br>max. 6 x M20 metal thread |
| Dimensions (L x W x H)        | 117.5 x 113.5 x 73.5 mm  |
| Weight                        | approx. 0.5 kg   |

<sup>1)</sup> for cage clamp terminals

## Ex-junction boxes 791



### Ordering details

| Design  | Cable gland   | No. of terminals                  | Order No.                 |
|---|---|-----------------------------------|---------------------------|
| GHG 791 01 up to 6 terminals  |   |                                   |                           |
|    | 2 x M25 for cable Ø 8-17 mm                                 | 4 x Ex-e, 1 x PE                  | <b>GHG 791 0101 R0001</b> |
|    | 4 x M25 for cable Ø 8-17 mm<br>incl. 2 x blanking plug M25  | 4 x Ex-e, 1 x PE                  | <b>GHG 791 0101 R0002</b> |
|    | 4 x M20 metal thread<br>incl. 2 x threaded plug M20         | 4 x Ex-e, 1 x PE                  | <b>GHG 791 0101 R0019</b> |
|   | 4 x M25 for cable Ø 8-17 mm<br>incl. 2 x blanking plug M25  | 4 x 4 Ex-e <sup>1)</sup> , 2 x PE | <b>GHG 791 0101 R0069</b> |
|  | 4 x M20 metal thread<br>incl. 2 x threaded plug M20         | 4 x 4 Ex-e <sup>1)</sup> , 2 x PE | <b>GHG 791 0101 R0068</b> |
| GHG 791 02 up to 6 terminals  |   |                                   |                           |
|  | 4 x M25 for cable Ø 8-17 mm<br>incl. 2 x blanking plug M25  | 6 x Ex-e, 2 x PE                  | <b>GHG 791 0201 R0006</b> |
|  | 4 x M32 for cable Ø 12-21 mm<br>incl. 2 x blanking plug M32 | 6 x Ex-e, 2 x PE                  | <b>GHG 791 0201 R0007</b> |
|  | 6 x M25 for cable Ø 12-21 mm<br>incl. 4 x blanking plug M25 | 6 x Ex-e, 2 x PE                  | <b>GHG 791 0201 R0001</b> |
|  | 6 x M32 for cable Ø 12-21 mm<br>incl. 4 x blanking plug M32 | 6 x Ex-e, 2 x PE                  | <b>GHG 791 0201 R0002</b> |
|  | 6 x M20 metal thread<br>incl. 4 x threaded plug M20         | 8 x Ex-e, 1 x PE                  | <b>GHG 791 0201 R0003</b> |

Other applications available on request.

<sup>1)</sup> Cage clamp terminal

### Accessories

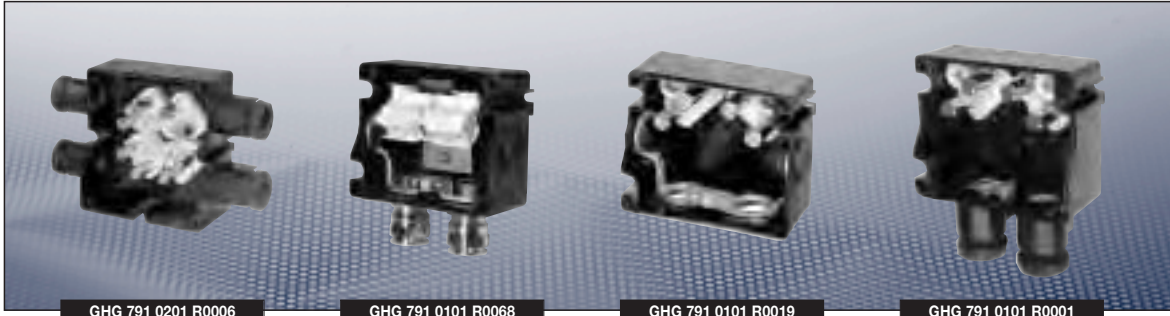
#### Mounting plate for junction box 791 01

| Type                     | Application               | Fixing method      | Order No.                 |
|--------------------------|---------------------------|--------------------|---------------------------|
| Size 1                   | Wall mounting             | screwless mounting | <b>GHG 610 1953 R0101</b> |
| Size 1                   | Trellis mounting          | screwless mounting | <b>GHG 610 1953 R0103</b> |
| Size 1                   | Pipe mounting             | screwless mounting | <b>GHG 610 1953 R0102</b> |
| Protective canopy Size 2 | for mounting plate size 1 |                    | <b>GHG 610 1955 R0101</b> |

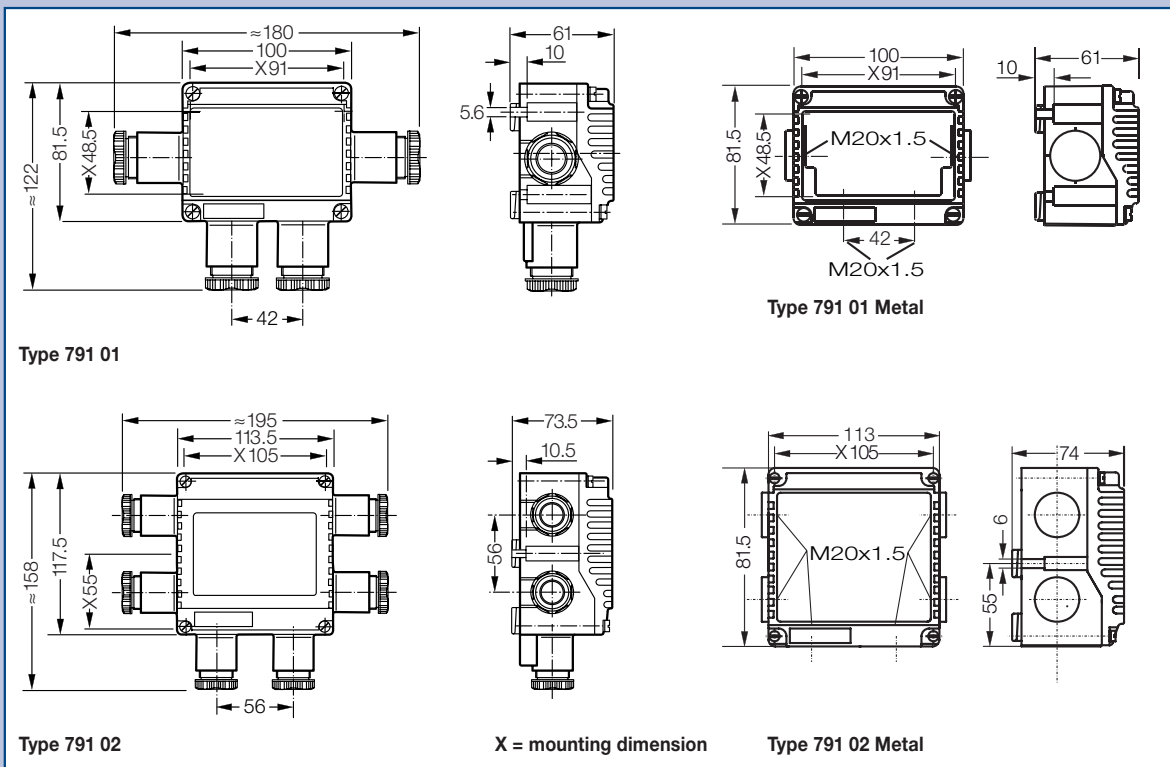
#### Mounting plate for junction box 791 02

| Type                     | Application               | Fixing method      | Order No.                 |
|--------------------------|---------------------------|--------------------|---------------------------|
| Size 2                   | Wall mounting             | screwless mounting | <b>GHG 610 1953 R0104</b> |
| Size 2                   | Trellis mounting          | screwless mounting | <b>GHG 610 1953 R0106</b> |
| Size 2                   | Pipe mounting             | screwless mounting | <b>GHG 610 1953 R0105</b> |
| Protective canopy Size 2 | for mounting plate size 2 |                    | <b>GHG 610 1955 R0102</b> |

Details for accessories see page 7.78 pp.



Dimension drawing



Cooper Crouse-Hinds © 2009 - all rights reserved

Dimensions in mm

1  
2  
3  
4  
5  
6  
7  
8  
9  
10  
11  
12