

CIRCUIT BREAKER 400V 10KA, 4-POLE, C, 16A, D=70MM



| Model | | |
|--|----|--------------------------------|
| product brand name | | SENTRON |
| Product designation | | 5SY miniature circuit breaker |
| Design of the product | | 5SY miniature circuit breakers |
| General technical data | | |
| Number of poles | | 4 |
| Number of poles / Note | | 4P |
| Tripping characteristic class | | C |
| circuit-breaker / Design | | 5SY4 |
| Mechanical service life (switching cycles) / typical | | 20 000 |
| Overvoltage category | | 3 |
| Voltage | | |
| Insulation voltage | | |
| <ul style="list-style-type: none"> with multi-phase operation / with AC / Rated value | V | 440 |
| Supply voltage | | |
| Supply voltage frequency | | |
| <ul style="list-style-type: none"> Rated value | Hz | 50 |

| Protection class | | |
|------------------------------|--|---------------------------------|
| Protection class IP | | IP20, with connected conductors |
| Energy limiting class | | 3 |

| Switching capacity | | |
|--|----|----|
| Switching capacity current | | |
| • for DC / acc. to IEC 60947-2 / Rated value | kA | 15 |
| • acc. to EN 60898 / Rated value | kA | 10 |
| • acc. to IEC 60947-2 / Rated value | kA | 20 |

| Dissipation | | |
|--|---|-----|
| Active power loss | | |
| • for rated value of the current / with AC / in hot operating state / per pole | W | 1.6 |

| Electricity | | |
|---|---|------|
| rated current I_n / IEC, DIN/VDE | | |
| • at 40 Cel | A | 15.2 |
| Current / with AC | | |
| • Rated value | A | 16 |
| Net weight | g | 561 |

Appearance

| Product details | | |
|--|--|-----|
| Product feature | | |
| • Touch protection | | Yes |
| Product component | | |
| • combined terminal top | | Yes |
| • combined terminal bottom | | Yes |
| Product property | | |
| • Properties for main switches in accordance with EN 60204-1 | | Yes |
| • halogen-free | | Yes |
| • sealable | | Yes |
| • silicon-free | | Yes |
| Product expansion / can be installed | | |
| • supplementary devices | | Yes |

| Product function | | |
|-------------------------------|--|----|
| Product function | | |
| • neutral conductor switching | | No |

| Short circuit | | |
|---|----|----|
| Breaking capacity short-circuit current (I_{cn}) | | |
| • with AC / acc. to UL 1077 and CSA C22.2 No.235 | kA | 5 |
| • for DC / acc. to EN 60898-2 | kA | 10 |

| Number | | |
|--|--|---|
| Number of test cycles / for environmental testing / acc. to IEC 60068-2-30 | | 6 |

| Connections | | |
|--|-----------------|------|
| Connectable conductor cross-section / stranded | | |
| • minimum | mm ² | 0.75 |
| • maximum | mm ² | 35 |
| Connectable conductor cross-section | | |
| • solid | | |
| — minimum | mm ² | 0.75 |
| — maximum | mm ² | 35 |
| • finely stranded / with core end processing | | |
| — minimum | mm ² | 0.75 |
| — maximum | mm ² | 25 |
| AWG number / as coded connectable conductor cross section | | |
| • minimum | | 14 |
| • maximum | | 4 |
| Tightening torque (lbf·in) / with screw-type terminals | | |
| • minimum | lbf·in | 22 |
| • maximum | lbf·in | 26 |
| Tightening torque / with screw-type terminals | | |
| • minimum | N·m | 2.5 |
| • maximum | N·m | 3 |
| Position | | |
| • of power supply cord | | Any |

| Mechanical Design | | |
|-----------------------|----|-----------------------|
| Height | mm | 90 |
| Width | mm | 72 |
| Depth | mm | 76 |
| mounting position | | any |
| Installation depth | mm | 70 |
| Number of width units | | 4 |
| Mounting type | | Quick assembly system |

| Environmental conditions | | |
|--|----|---|
| Influence of the surrounding temperature | | Max. 95% humidity |
| Shock resistance | | |
| • acc. to IEC 60068-2-27 | | 150m/s ² at 11ms half-sine |
| Vibration resistance | | |
| • acc. to IEC 60068-2-6 | | 50m/s ² at 25 to 150Hz and 60m/s ² at 35Hz (4sec) |
| Ambient temperature | | |
| • minimum | °C | -25 |
| • maximum | °C | 55 |

- during storage / minimum
- during storage / maximum

| | |
|----|-----|
| °C | -40 |
| °C | 75 |

Certificates

| | |
|--------------------------|---|
| Reference code | |
| • acc. to DIN EN 61346-2 | F |

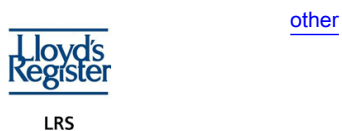
General Product Approval



| Declaration of Conformity | Test Certificates | Shipping Approval |
|---------------------------|-------------------|-------------------|
|---------------------------|-------------------|-------------------|

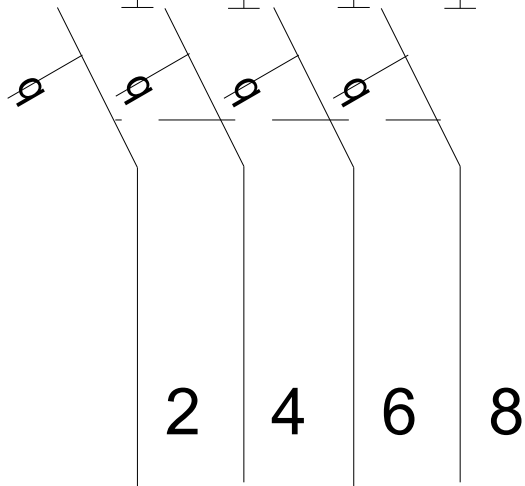
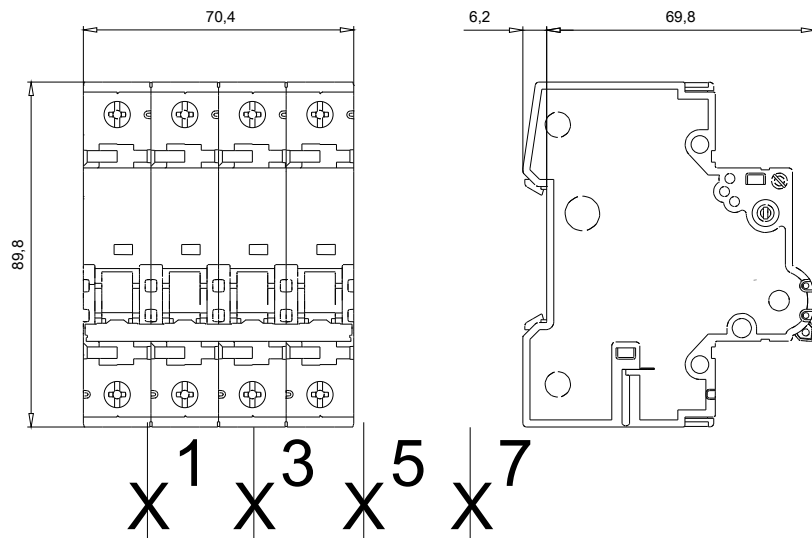


Shipping Approval



Further information

- Information- and Downloadcenter (Catalogs, Brochures,...)**
<http://www.siemens.com/lowvoltage/catalogs>
- Industry Mall (Online ordering system)**
<https://eb.automation.siemens.com/mall/en/WW/Catalog/Product/5SY44167>
- Service&Support (Manuals, Certificates, Characteristics, FAQs,...)**
<http://support.automation.siemens.com/WW/view/en/5SY44167/all>
- Image database (product images, 2D dimension drawings, 3D models, device circuit diagrams, ...)**
http://www.automation.siemens.com/bilddb/cax_en.aspx?mfb=5SY44167
- CAX-Online-Generator**
<http://www.siemens.com/cax>
- Tender specifications**
<http://ausschreibungstexte.siemens.com/tiplv>



last modified:

21.10.2014