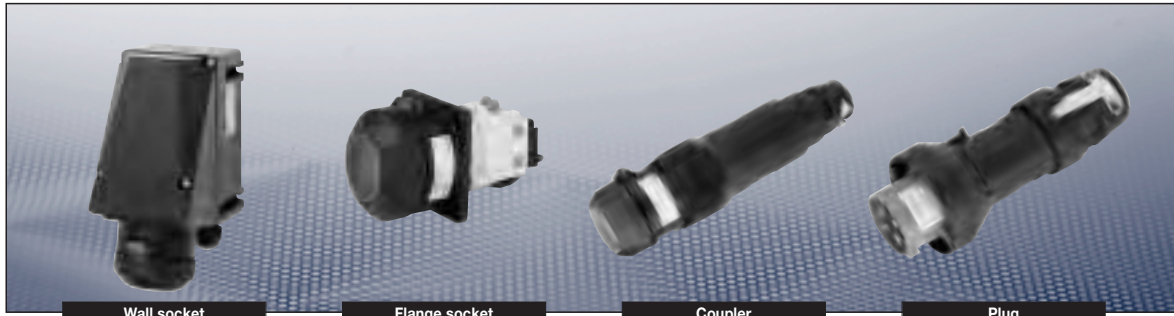


**| 16A 3-pole, 4-pole and 5-pole up to 690 V |**



**Technical data**

Ex-plugs and sockets acc. to IEC 60309-1/2 16A	
Marking to 94/9/EC	⊕ II 2 G Ex ed IIC T6 / ⊕ II 2 D Ex tD A21 IP66 T80 °C
EC-Type Examination Certificate	Wall socket, plug and coupler: PTB 99 ATEX 1039 Flange socket: PTB 99 ATEX 1040 U
IECEx certification of conformity	IECEx BKI 04.0002
IECEx type of protection	Ex ed [ia] IIC T6/T5
Permissible ambient temperature	-20°C to +40°C <sup>1)</sup>
Rated voltage	up to 400 V (3-pole) / 690 V (4-pole) / 500 V (5-pole) AC
Rated current	up to 16 A (AC)
Frequency	up to 400 Hz
Switching capacity AC-3	16 A (up to 690 V)
Back-up fuse, max.	without therm. protection: 16 A with therm. protection: 35 A gL (rated current 16 A set to)
Insulation class	I
Degree of protection to EN 60529	IP66

Wall socket	
Cable glands	1 x M25 Ø 8 - 17 mm, 1 x M25 Ex-screw plug plastic or 2 x metal thread M20 with Ex-screw plug plastic
Connecting terminals	2 x 1 - 4 mm <sup>2</sup>
Enclosure material	Glass-fibre reinforced polyester

Plug	
Cable glands	Ø 8 - 19 mm (3-pole) / Ø 8 - 21 mm (4-pole) / 12 - 21 mm (5-pole)
Connecting terminals	1 x 1.0 - 2.5 mm <sup>2</sup>
Enclosure material	polyamide

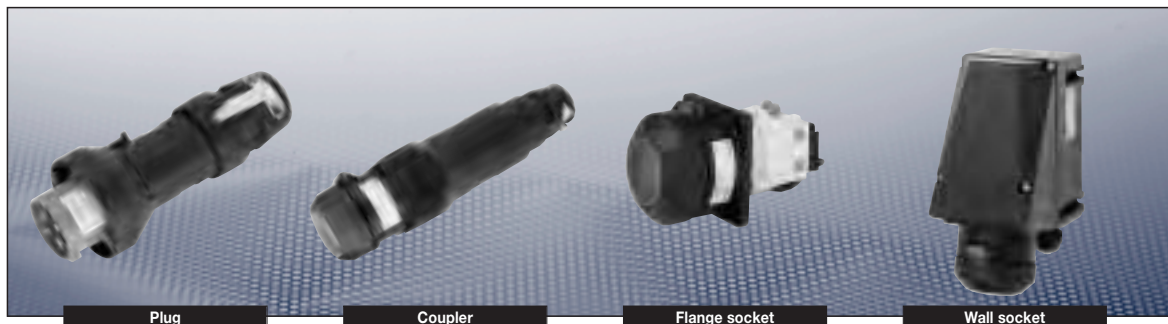
Coupler	
Cable glands	Ø 8 - 19 mm (3-pole) / Ø 8 - 21 mm (4-pole) / 12 - 21 mm (5-pole)
Connecting terminals	2 x 1 - 4 mm <sup>2</sup>
Enclosure material	polyamide

Flange socket	
Connecting terminals	2 x 1 - 4 mm <sup>2</sup>
Enclosure material	polyamide

<sup>1)</sup> extended temperature range on request

**Ordering details**

Voltage	h	Type	Auxiliary contact	Cable entries	Weight approx.	Order No.	
Type 16 A 3-pole							
110-130 V		Wall socket	-	M25 KU	1.2 kg	<b>GHG 511 4304 R0001</b>	
		Wall socket	-	M20 GE	1.2 kg	<b>GHG 511 4304 R0002</b>	
		Wall socket	-	M20 ME	1.3 kg	<b>GHG 511 4304 R3001</b>	
		Wall socket	-	M20 GM	1.3 kg	<b>GHG 511 4304 R3003</b>	
	4	Flange socket	-	-	-	0.4 kg	<b>GHG 511 8304 R0001</b>
		Coupler	-	-	-	0.7 kg	<b>GHG 511 3304 R0001</b>
		Plug	-	-	-	0.35 kg	<b>GHG 511 7304 R0001</b>



**Ordering details**

Voltage	h	Type	Auxiliary contact	Cable entries	Weight approx.	Order No.
<b>Type 16 A 3-pole</b>						
200-250 V		Wall socket	–	M25 KU	1.2 kg	<b>GHG 511 4306 R0001</b>
		Wall socket	–	M20 GE	1.2 kg	<b>GHG 511 4306 R0002</b>
		Wall socket	–	M20 ME	1.3 kg	<b>GHG 511 4306 R3001</b>
		Wall socket	–	M20 GM	1.3 kg	<b>GHG 511 4306 R3003</b>
		Flange socket	–		0.4 kg	<b>GHG 511 8306 R0001</b>
		Coupler	–		0.7 kg	<b>GHG 511 3306 R0001</b>
		Plug	–		0.35 kg	<b>GHG 511 7306 R0001</b>
<b>Type 16 A 4-pole</b>						
200-250 V		Wall socket	–	M25 KU	1.8 kg	<b>GHG 511 4409 R0001</b>
		Wall socket	–	M20 ME	1.9 kg	<b>GHG 511 4409 R3001</b>
		Flange socket	–		1.0 kg	<b>GHG 511 8409 R0001</b>
		Coupler	–		1.7 kg	<b>GHG 511 3409 R0001</b>
		Plug	–		0.7 kg	<b>GHG 511 7409 R0001</b>
380-415 V		Wall socket	–	M25 KU	1.8 kg	<b>GHG 511 4406 R0001</b>
		Wall socket	–	M20 ME	1.9 kg	<b>GHG 511 4406 R3001</b>
		Wall socket	yes	M25 KH	1.8 kg	<b>GHG 511 4406 R0501</b>
		Flange socket	–		1.0 kg	<b>GHG 511 8406 R0001</b>
		Coupler	–		1.7 kg	<b>GHG 511 3406 R0001</b>
		Plug	–		0.7 kg	<b>GHG 511 7406 R0001</b>
480-500 V		Wall socket	–	M25 KU	1.8 kg	<b>GHG 511 4407 R0001</b>
		Wall socket	–	M20 ME	1.9 kg	<b>GHG 511 4407 R3001</b>
		Wall socket	yes	M25 KH	1.8 kg	<b>GHG 511 4407 R0501</b>
		Flange socket	–		1.0 kg	<b>GHG 511 8407 R0001</b>
		Coupler	–		1.7 kg	<b>GHG 511 3407 R0001</b>
		Plug	–		0.7 kg	<b>GHG 511 7407 R0001</b>
600-690 V		Wall socket	–	M25 KU	1.8 kg	<b>GHG 511 4405 R0001</b>
		Wall socket	–	M20 ME	1.9 kg	<b>GHG 511 4405 R3001</b>
		Wall socket	yes	M25 KH	1.8 kg	<b>GHG 511 4405 R0501</b>
		Flange socket	–		1.0 kg	<b>GHG 511 8405 R0001</b>
		Coupler	–		1.7 kg	<b>GHG 511 3405 R0001</b>
		Plug	–		0.7 kg	<b>GHG 511 7405 R0001</b>
<b>Type 16 A 5-pole</b>						
200-250 V		Wall socket	–	M25 KU	1.8 kg	<b>GHG 511 4506 R0001</b>
380-415 V		Wall socket	–	M20 ME	1.9 kg	<b>GHG 511 4506 R3001</b>
		Wall socket	yes	M25 KH	1.8 kg	<b>GHG 511 4506 R0501</b>
		Flange socket	–		1.0 kg	<b>GHG 511 8506 R0001</b>
		Coupler	–		1.7 kg	<b>GHG 511 3506 R0001</b>
		Plug	–		0.7 kg	<b>GHG 511 7506 R0001</b>

Other voltage ranges and versions available on request.

KU = 1 x plastic cable glands M25 for Ø 8 -17 mm, 1 x M25 Ex-screw plug plastic

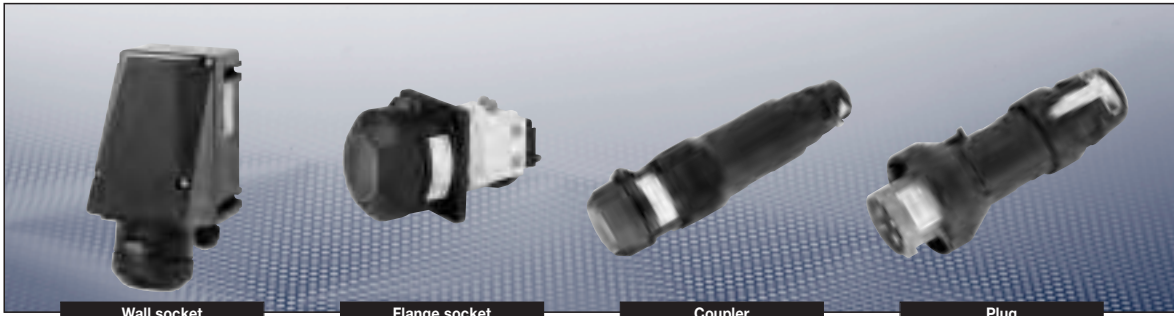
KH = 2 x plastic cable glands M25 for Ø 8 - 17 mm, auxiliary contact, 1 NO

ME = 2 x metal thread M20 with Ex-screw plug plastic

GE = 2 x plastic thread M20 without cable gland/screw plug

GM = 2 x metal thread M20 without cable gland/screw plug

**| 16A 3-pole, 4-pole and 5-pole up to 690 V |**



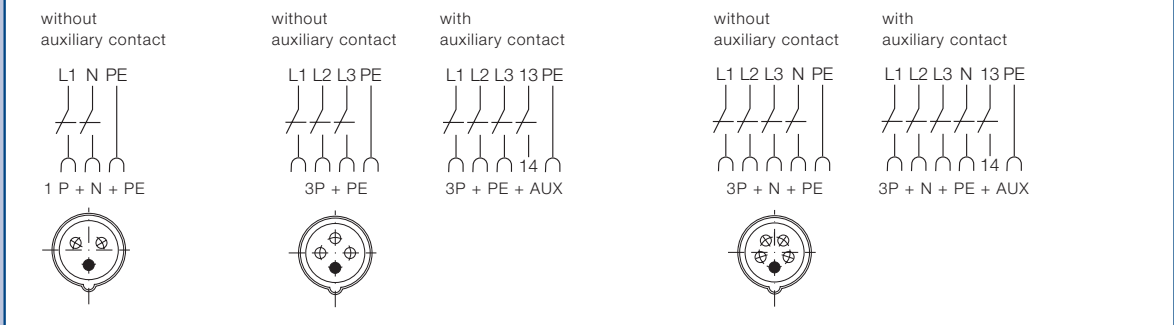
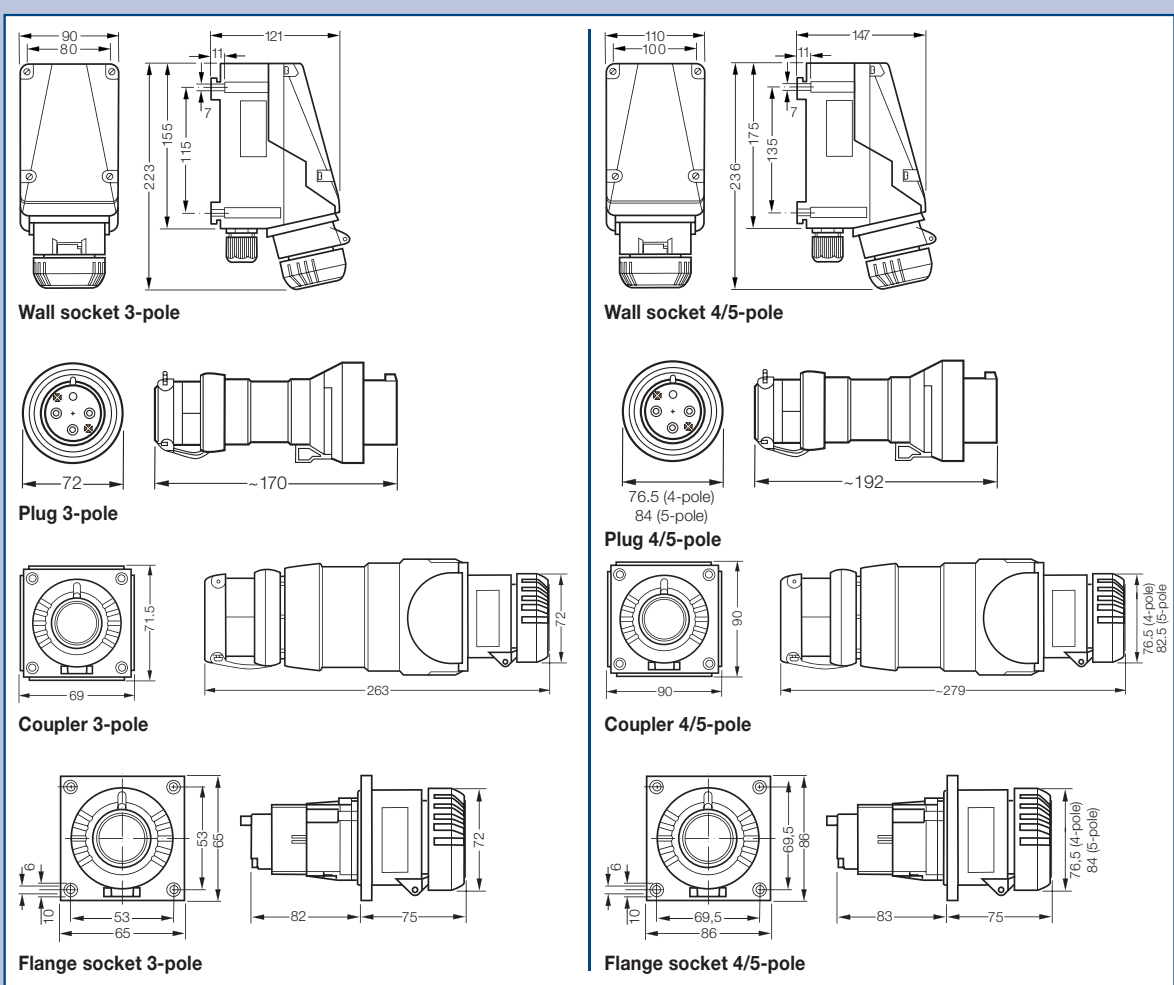
Wall socket

Flange socket

Coupler

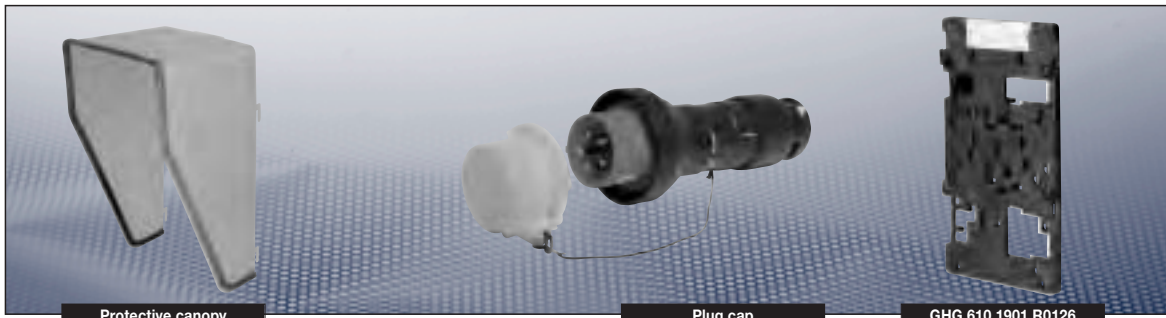
Plug

**Dimension drawing | Wiring diagram**



Cooper Crouse-Hinds © 2009 - all rights reserved

Dimensions in mm



**Accessories**

**Mounting plates for wall sockets 16 A**

Type	Application	Fixing method	Order No.
Size 4	for wall mounting	snapped on	GHG 610 1953 R0126
Size 4	for trellis mounting	snapped on	GHG 610 1953 R0126
Size 4	for pipe mounting	snapped on	GHG 610 1953 R0130

**Plug cap for plugs 16 A**

Type	Order No.
Plug 16 A 3-pole	GHG 510 1901 R0001
Plug 16 A 4-pole	GHG 510 1901 R0002
Plug 16 A 5-pole	GHG 510 1901 R0003

**Accessories for mounting plates**

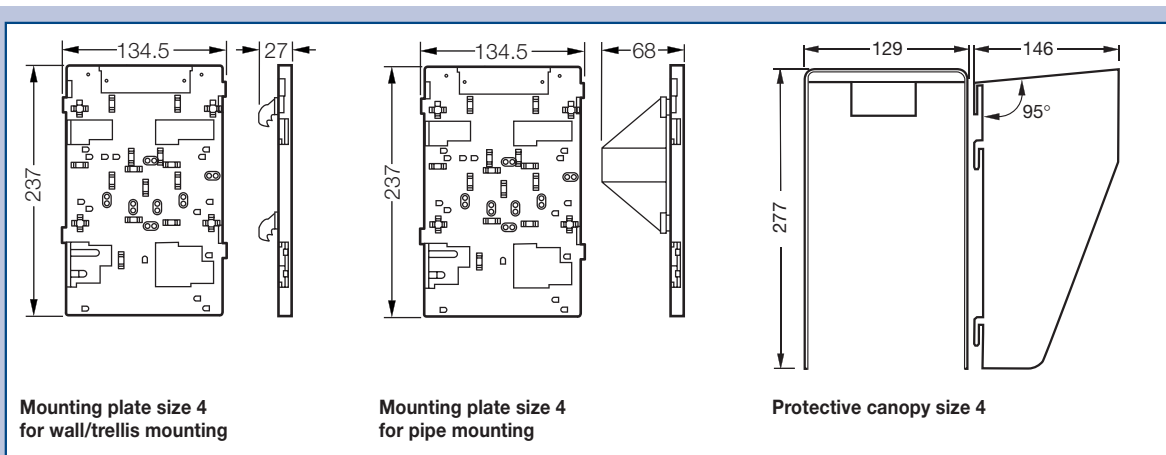
Type	OU	Order No.
Mounting set for pipes 1" (Ø 27 - 30 mm) for mounting plates with pipe fixing	10	GHG 610 1953 R0020

Please pay attention to that only order units (OU) according to the ordering details can be delivered.

**Protective canopy for mounting plate**

Type	Application	Order No.
Size 4	for mounting plate size 4 pluggable	GHG 610 1955 R0107

**Dimension drawing**



Mounting plate size 4 for wall/trellis mounting

Mounting plate size 4 for pipe mounting

Protective canopy size 4

Dimensions in mm