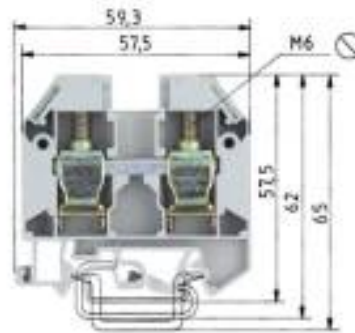


Product data sheet

Item No. 57.516.0155.0

Feed-through terminal WKN 16 / U /V0

Feed-through DIN rail terminal block with screw connection for mounting on TS 35 and TS 32, nominal cross section 16 mm², width 12 m m, color gray



Item No.	57.516.0155.0
EAN	4015573458376
Order Unit	50 Piece(s)

Certificates / Approvals



Technical data

General

Nominal cross section	16 mm ²
Colour	Grey
Number of levels	1
Number of clamp positions per level	2
Width/grid dimension	12 mm
Insulating housing	PA666
Inflammability class of insulation material acc. with UL94	V0
Explosion-tested version "Ex e"	Yes
Mounting method	DIN rail (top hat rail)/G-rail
Terminal blocks for electrical installations	No

Technical data

Rated current	71 A
Rated voltage	1000 V
Rated impulse voltage	8 kV
Pollution degree	3
Closing plate required	Yes
Type of insulation material	Thermoplastic
Length	59.3 mm

Connection Data

Connection type 1	Screw connection
Connection type 2	Screw connection
Minimum cross section solid	1.5 mm ²



Maximum cross section solid	25 mm ²
Minimum cross section fine stranded	4 mm ²
Maximum cross section fine stranded	16 mm ²
Minimum cross section stranded	16 mm ²
Maximum cross section stranded	25 mm ²
Wire strip length	15 mm
Torque conductor mounting	2.5 Nm

Technical Data UL/CSA

Cross section UL	12-4 AWG
Voltage UL	600 V
Current factory wiring	90 A
Current field wiring	85 A
Cross section CSA	14-4 AWG
Voltage CSA	600 V
Current CSA	95 A

Technical drawing

Dimensions: 57,5, 62, 57,5, 65, 74,6, 79,1, 32,1, 7,5, 11,25

Callouts:

- Hutschiene EN 60715-35x7,5 mounting rail EN 60715-35x7,5
- Hutschiene EN 60715-35x15 mounting rail EN 60715-35x15
- G-Schiene EN 60715-632 G-rail EN 60715-632

Legend:

- These dimensions will be reported in delivery with appropriate dimensions.
- These dimensions will be reported in delivery with appropriate dimensions.
- These dimensions will be reported in delivery with appropriate dimensions.

Further data see catalog / further data see catalog

Teile - Nr. / part-number	Farbe / colour	Typ / type
57.516.0155.0	grau/grey	WKN 16/U/VO
57.516.0155.1	schwarz/black	WKN 16/U SCHWARZ/VO
57.516.0155.2	weiß/white	WKN 16/U WEISS/VO
57.516.0155.3	schiefergrau/stele grey	WKN 16/U SCHIEFERGRAU/VO
57.516.0155.5	rot/red	WKN 16/U ROT/VO
57.516.0155.6	blau/blue	WKN 16/U BLAU/VO
57.516.0155.7	grün/green	WKN 16/U Grün/VO
57.516.0155.8	gelb/yellow	WKN 16/U GELB/VO
57.516.0155.9	orange	WKN 16/U ORANGE/VO
57.516.0195.0	grau/grey	WKN 16/U/VO
57.516.0195.6	blau/blue	WKN 16/U BLAU/VO

* spezielle Verpackung / specific package

Toleranz nach DIN 7167 / Tolerance system acc. to DIN 7167. (This DIN-standard describes the envelope principle. According to the envelope principle the deviations of form and position are limited by the size tolerances.)

ISO - Zeichnung, keine manuellen Änderungen / ISO - drawing, no manual modifications allowed

Verwendung - First Use

Zeichnung Nr. / Drawing No. 57.516.0155.0

Werkstoff/Material: 2004

Druckdatum: 27.09.

Schnitt: I.

Typ: T

Benennung/Title: DURCHGANGSKLEMME

Modular terminal

Wieland logo and text: Wieland's Verbindungen

00-PEM-08/91