

Fast Ethernet Switch - 5 ports 10/100bT DIN-rail mountable



ABI-EL1001S00

- ✓ High performance Fast Ethernet switch
- ✓ 10/100 Mbit auto-negotiation with status led
- ✓ No need for cross-over patch cords: MDI/MDIX and polarity autosense
- ✓ Aluminium housing provides efficient screening against electromagnetic interference and excellent cooling
- ✓ Plug and Play installation: operational in a couple of minutes



The 5 port 10/100Mbps Switch automatically recognises all attached network equipment and chooses the highest possible bit rate (10 or 100Mbps) and transmission mode for each equipment. The auto MDI/MDIX function eliminates the need (and risk of errors) for crossover patch cords. This unit requires 5VDC from a power supply ABI-PS1001S14.

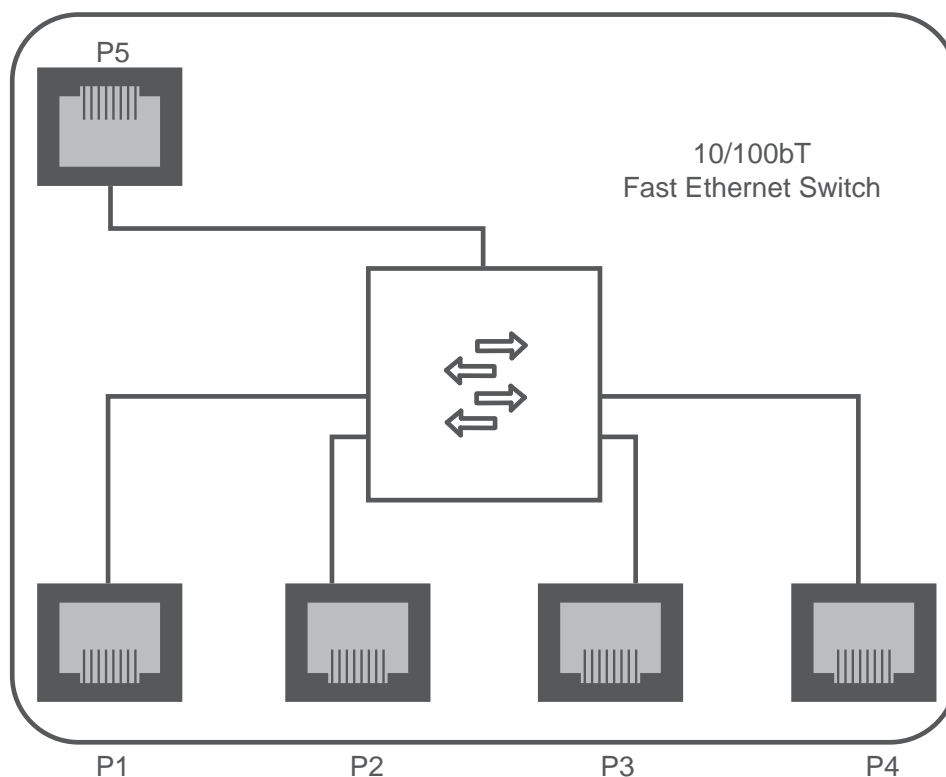
CHARACTERISTICS

- 5 ports 10/100Mbps
- MDI/MDIX
- Auto sense/auto negotiate
- 5V power supply (from ABI-PS1001S14)
- DIN-rail mount - 4 std positions wide
- WxHxD (mm): 71,2x80x65
- Net weight: 210g

Complies with:

- IEEE 802.3 10Base-T Ethernet
- IEEE 802u 100Base-TX Fast Ethernet
- EN50022 Class B; Emission
- Directives: 89/336/EEC; 92/31/EEC EMI: EN55022B

BLOCK DIAGRAM



© abitana 05/2014 - ABI-EL1001S00_datasheet_LEN

Specifications are subject to change without notice.