

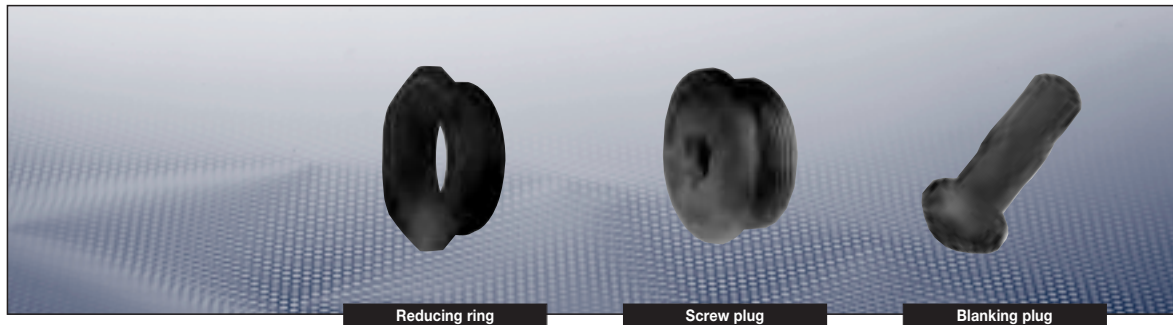
Technical data

Ex-e Cable glands | Blanking plugs | Reducing rings

Marking to 94/9/EC	Ex II 2 G Ex e II / Ex II 2 D Ex tD A21 IP66
EC-Type Examination Certificate of conformity	M12-M16: PTB 99 ATEX 3101 X / M20-M63: PTB 99 ATEX 3128 X
IECEX Certification of conformity	IECEX PTB 05.0004X
Marking accd. to IECEx	Ex e II
Permissible ambient temperature	-20 °C to +70 °C -55 °C to +70 °C option
Degree of protection accd. EN 60529	IP66 / IP68: 1 m water depth for 0.5 h
Enclosure material	Polyamide

Ex-e Screw plug

Marking to 94/9/EC	Ex II 2 G Ex e II / Ex II 2 D Ex tD A21 IP66
EC-Type Examination Certificate of conformity	M20-M50: PTB 98 ATEX 3130 / M63: PTB 03 ATEX 1058 (nur II 2 G)
IECEX Certification of conformity	IECEX PTB 03.0000 (M20 - M50)
Marking accd. to IECEx	Ex e II
Permissible ambient temperature	M20-M50: -55 °C to +55 °C / M63: -20 °C to +55 °C
Degree of protection accd. EN 60529	IP66 / IP68: 1 m water depth 0.5 h
Enclosure material	Polyamide



Ordering details

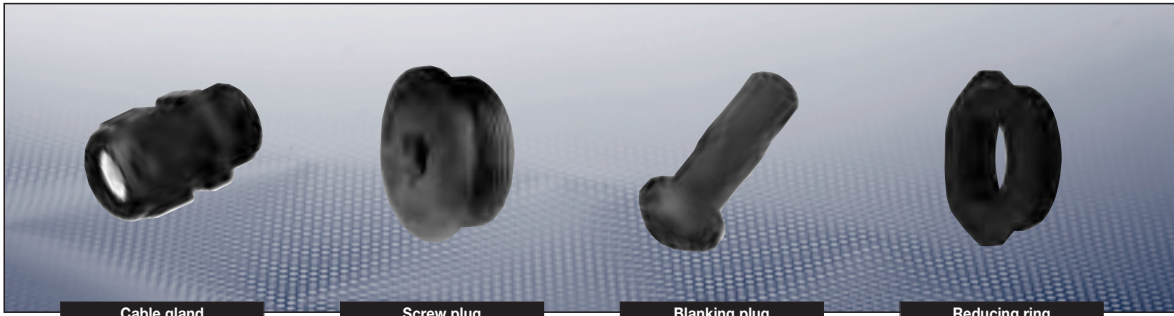
For cable entry	Ø A mm	Length B mm	Weight approx. kg	OU	Order No.
Blanking plug					
M12	6.0	30.3	0.001	20	GHG 960 1944 R0101
M16	7.0	33.0	0.001	20	GHG 960 1944 R0102
M20	8.5	34.5	0.002	20	GHG 960 1944 R0103
M25	11.0	36.0	0.003	20	GHG 960 1944 R0104
M32	14.0	39.5	0.005	20	GHG 960 1944 R0105
M40	20.0	42.0	0.018	10	GHG 960 1944 R0106
M50	26.0	44.0	0.033	10	GHG 960 1944 R0107
M63	34.0	45.0	0.108	5	GHG 960 1944 R0108

Thread	Ø D mm	Length A mm	Length B mm	Weight approx. kg	OU	Order No.
Screw plug						
M16 x 1.5	21.5	4.0	12	0.002	20	GHG 960 1952 R0111
M20 x 1.5	25.5	4.0	13	0.004	20	GHG 960 1952 R0112
M25 x 1.5	30.5	4.0	13	0.007	20	GHG 960 1952 R0113
M32 x 1.5	37.5	5.5	15	0.013	10	GHG 960 1952 R0114
M40 x 1.5	45.5	5.5	15	0.020	10	GHG 960 1952 R0115
M50 x 1.5	55.5	5.5	16	0.030	5	GHG 960 1952 R0116
M63 x 1.5	85	6.5	16	0.040	5	GHG 960 1952 R0117

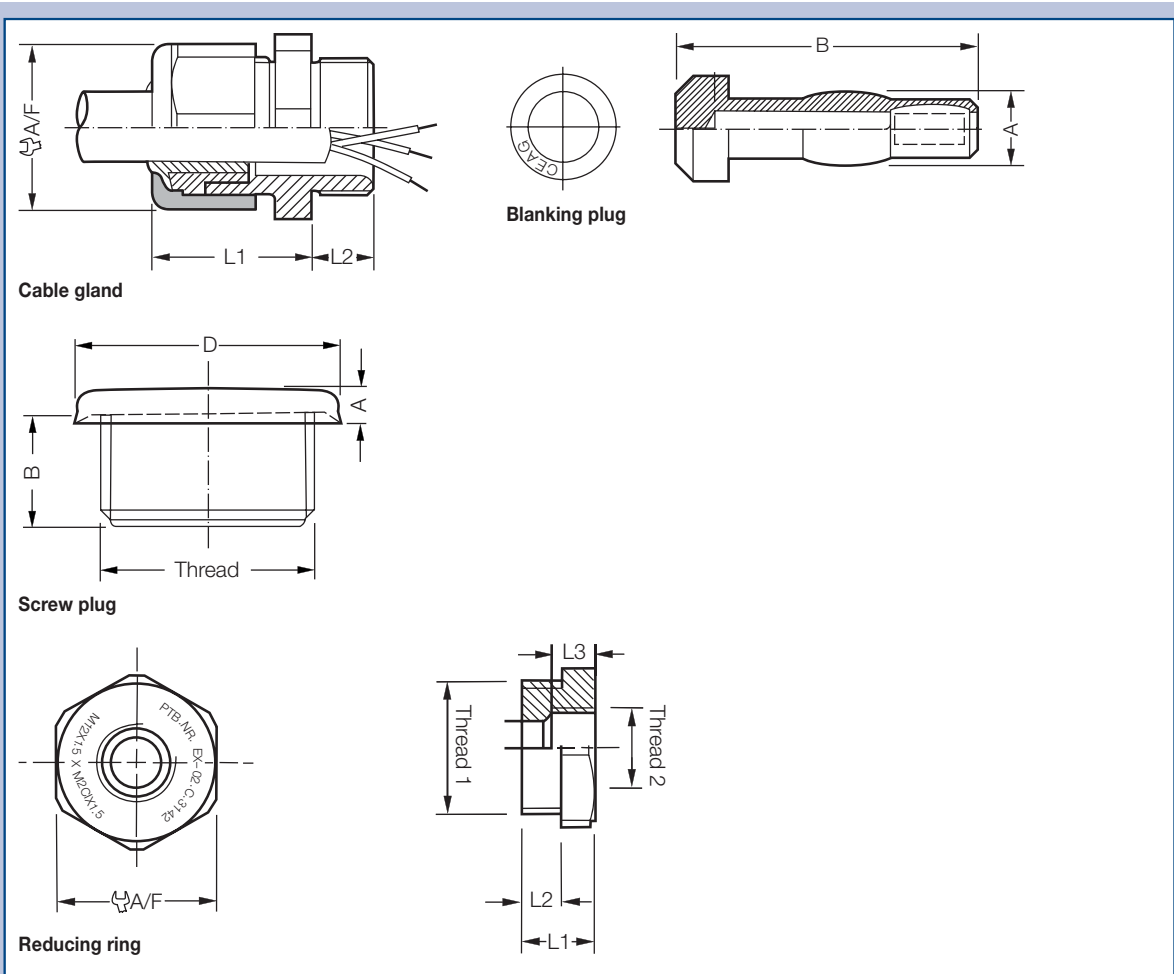
Thread 1	Thread L1 2	mm	L2 mm	L3 mm	AF mm	Weight approx. kg	OU	Order No.
Reducing rings								
M20 x 1.5	M16 x 1.5	12	8	8	24	0.014	20	GHG 960 1946 R0071
M25 x 1.5	M20 x 1.5	14	8	8	29	0.016	20	GHG 960 1946 R0072
M32 x 1.5	M20 x 1.5	16	10	6	36	0.017	20	GHG 960 1946 R0056
M32 x 1.5	M25 x 1.5	16	10	10	36	0.016	20	GHG 960 1946 R0074
M40 x 1.5	M25 x 1.5	16	10	8	46	0.023	10	GHG 960 1946 R0059
M40 x 1.5	M32 x 1.5	16	10	10	46	0.021	10	GHG 960 1946 R0077
M50 x 1.5	M32 x 1.5	18	12	10	55	0.036	10	GHG 960 1946 R0062
M50 x 1.5	M40 x 1.5	18	12	10	68	0.032	10	GHG 960 1946 R0080
M63 x 1.5	M40 x 1.5	18	12	10	68	0.040	5	GHG 960 1946 R0065
M63 x 1.5	M50 x 1.5	18	12	12	68	0.030	5	GHG 960 1946 R0083

Cable glands with PG-thread are available on request.
 The order No. will show 1 pcs.
 Please note that only order units (OU) can be ordered.

| Ex-cable glands |



Dimensions drawing



Cooper Crouse-Hinds © 2009 - all rights reserved

Dimensions in mm