

wall mounting socket outlet - housing dimensions 100x75

Product description

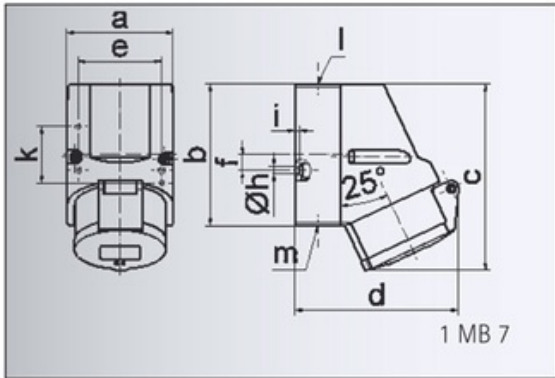
Order number	11906
EAN/pcs	4024941119061
Product Group	Wall mounting socket outlet Quick-Connect
Amperage	16A
Poles	5p (3p+N+PE)
Earth 'Clock' Position	6 h
Voltage	200/346 up to 240/415V
Frequency	50 and 60Hz
Protection	IP44
Color code	red RAL 3000
Connection Design	screwless spring terminals as spring clamp with Kontext-contact
Max. conductor	4,0 mm ²



Further Information

Cable entry	top entry M20
Packaging	100x75 mm (HxW)
Additional technical information	The cable entry is one at top open and one at bottom and one rear side closed Lower part of housing rotatable by 180°

Material	
Material of Enclosure	Polyamide
Contact / Contact Carrier	contact carrier made of polyamide, the contacts are brass
Weight/pcs	0.260 kg
Packaging unit	10 pcs



Ampere	16	16	16
Polzahl	3	4	5
a	64,0	75,0	75,0
b	87,0	100,0	100,0
c	117,0	129,0	131,0
d	103,0	108,0	116,0
e	51,0	59,0	59,0
f	-	11,0	11,0
h ø	4,1	5,1	5,1
i	4,5	4,5	4,5
k	40,0	-	-
l	M 20	M 20	M 20
m	für M 20	für M 20	für M 20
Leiter mm² min	1,5	1,5	1,5
Leiter mm² max	4	4	4