

Fiber Optic Pigtails

LL-PGT-SC-OM3

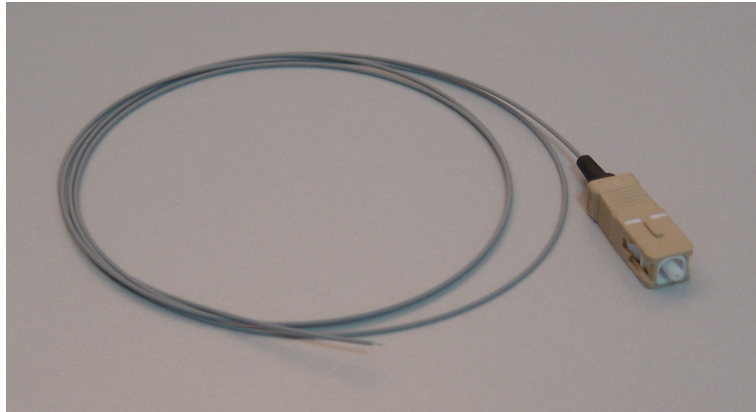
— Pigtail SC, 50/125 OM3 —

Connector : plastic compound body, ceramic ferrule (ZrO₂)

Fiber : 900µm multimode 50/125 OM3, grey

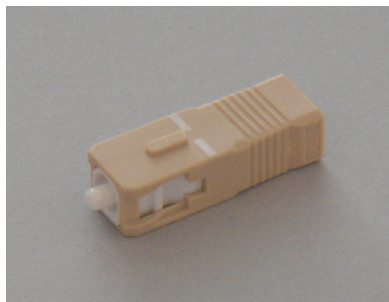
STANDARD COMPLIANCE

All components of / and the final product are designed and tested to confirm the requirements of IEC 60874-14, CECC, Bellcore / Telcordia GR-326 (reduced), EIA/TIA 568, ISO/IEC 11801:2002 2nd Ed., EN 50173-1:2002, ITU-T G.651, IEC 60793-2-50 B1.1, IEC 60793-2-10 A1b, EIA/TIA 492AAAC. All components are RoHS compliant and do not and will not contain any restricted hazardous substances as detailed in RoHS 2002/95/EC.



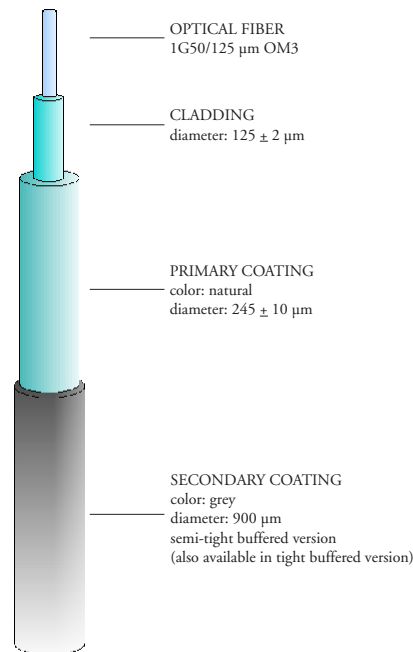
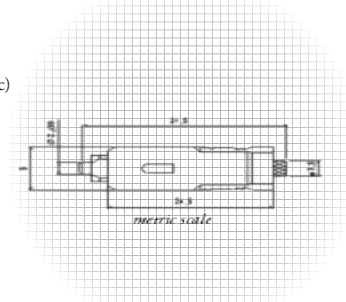
PERFORMANCE

Attenuation	: <0,25 dB
Return loss	: >25 dB
Temperature range	: -10° C to +65° C
Color of fiber	: grey <i>other colors on request</i>
Fiber version	: semi-tight buffer; <i>tight buffered on request</i>
Color of boot	: black; <i>other colors on request</i>
Packaging	: 6 pcs./unit <i>other packaging on request</i>



TECHNICAL SPECIFICATION

Type	: SC
Material of ferrule	: ZrO ₂ (Zirconia/Ceramic)
Material of body	: plastic compound
Connection at adapter	: push - pull
Insertion loss	: <0,20 dB
Attenuation after termination	: <0,25 dB
Mating cycles	: >1000
Ferrule drilling	: 127 / 128 µm



MECHANICAL PERFORMANCE FIBER

Weight	: 0,7 kg/km
Temperature range	: -10° C to +65° C
Bending radius	: 30 mm
Tensile strength	: 3 N
Crush resistance	: 0,1 N/mm (long term) - 1 N (short term)

OPTICAL PERFORMANCE FIBER

Item		50/125OM3
CORE DIAMETER	µm	50 ± 2,5
CLADDING DIAMETER	µm	125 ± 1
CLADDING NON-CIRCULARITY	%	1,0
CORE/CLADDING CONCENTRICITY	µm	≤ 1,5
TYP. ATTENUATION @ 850nm	dB/km	2,5
TYP. ATTENUATION @ 1300nm	dB/km	0,7
BANDWIDTH @ 850nm	MHz * km	≥ 1500
BANDWIDTH @ 1300nm	MHz * km	≥ 500
LINK LENGTH 1000BaseSX	m	2 - 1500
LINK LENGTH 1000BaseLX	m	2 - 500
LINK LENGTH 10GBase SR	m	2 - 300
LINK LENGTH 10GBase X4	m	2 - 300
FOR ENTIRE FIBER SPECS REFER TO		LL-F-008-OM3

— On request, fibers featuring other than the above stated specifications can be quoted —



Made in
Italy