

# Fiber Optic Pigtaills

## LL-PGT-LC-sm

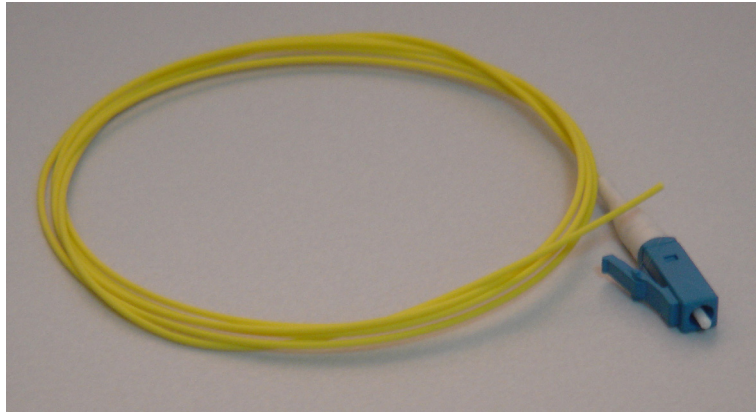
— Pigtail LC, 9/125 —

**Connector** : plastic compound body, ceramic ferrule (ZrO<sub>2</sub>)

**Fiber** : 900µm singlemode 9/125, yellow

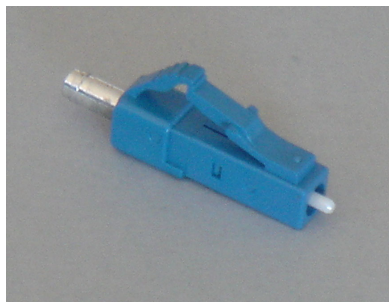
### STANDARD COMPLIANCE

All components of / and the final product are designed and tested to confirm the requirements of IEC 60874-20, CECC, Bellcore / Telcordia GR-326 (reduced), EIA/TIA 568, ISO/IEC 11801:2002 2<sup>nd</sup> Ed., EN 50173-1:2002, ITU-T G.652.D, IEC 60793-2-50 B1.3, IEC 60793-2-10. All components are RoHS compliant and do not and will not contain any restricted hazardous substances as detailed in RoHS 2002/95/EC.



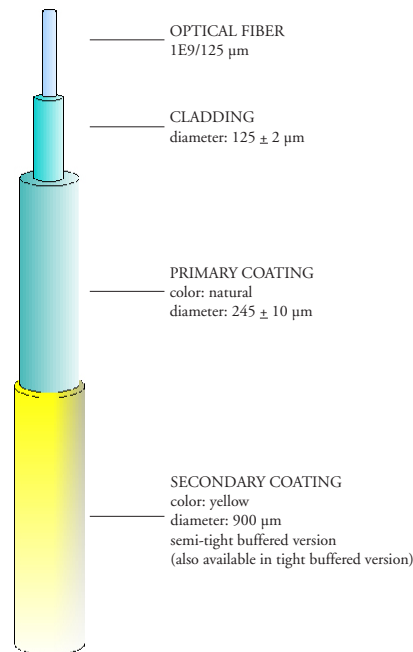
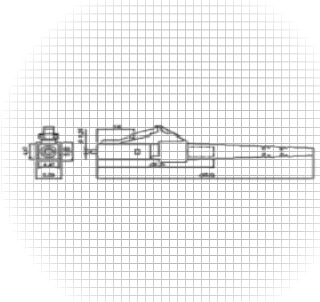
### PERFORMANCE

Attenuation	: <0,25 dB
Return loss	: >35 dB
Temperature range	: -10° C to +65° C
Color of fiber	: yellow other colors on request
Fiber version	: semi-tight buffer; tight buffered on request
Color of boot	: white other colors on request
Packaging	: 6 pcs./unit other packaging on request



### TECHNICAL SPECIFICATION

Type	: LC
Material of ferrule	: ZrO <sub>2</sub> (Zirconia/Ceramic)
Material of body	: plastic compound
Connection at adapter	: push - pull
Insertion loss	: <0,10 dB
Attenuation after termination	: <0,25 dB
Mating cycles	: >1000
Ferrule drilling	: 125 / 126 µm



### MECHANICAL PERFORMANCE FIBER

Weight	: 0,7 kg/km
Temperature range	: -10° C to +65° C
Bending radius	: 30 mm
Tensile strength	: 3 N
Crush resistance	: 0,1 N/mm (long term) - 1 N (short term)

### OPTICAL PERFORMANCE FIBER

Item		9/125
CORE DIAMETER	µm	9,2± 0,4
CLADDING DIAMETER	µm	125 ± 1
CLADDING NON-CIRCULARITY	%	≤1,0
CORE/CLADDING CONCENTRICITY	µm	≤ 0,6
TYP. ATTENUATION @ 1310nm - 1625nm	dB/km	0,39
TYP. ATTENUATION @ 1550nm	dB/km	0,25
CHROM. DISP. COEF. 1285nm - 1330nm	ps/km*nm	≤ 3
CHROM. DISP. COEF. 1270nm - 1340nm	ps/km*nm	≤ 6
CHROM. DISP. COEF. 1550nm	ps/km*nm	≤ 18
CUT-OFF WAVELENGTH HIGH/LOW LIMIT	λ <sub>c</sub> nm	1330/1150
POLARISATION MODE DISP. (PMD) COEF.	ps/√km	≤ 0,5
PMD <sub>0</sub> LINK DESIGN VALUE	ps/√km	≤ 0,2
FOR ENTIRE FIBER SPECS REFER TO		LL-F-002-sm

— On request, fibers featuring other than the above stated specifications can be quoted —

© Fumo2006. All Rights Reserved. – All values in this data sheet are nominal.

Rev. 08/2007

The information contained within this document must not be copied, reprinted or reproduced in any form, either wholly or in part, without the written consent of Fumo. The information is believed correct at the time of issue. Fumo reserves the right to amend this specification without notice. Specification is not contractually valid unless specifically authorized by Fumo.



Made in  
Italy