

Fiber Optic Pigtails

LL-PGT-LC-OM3

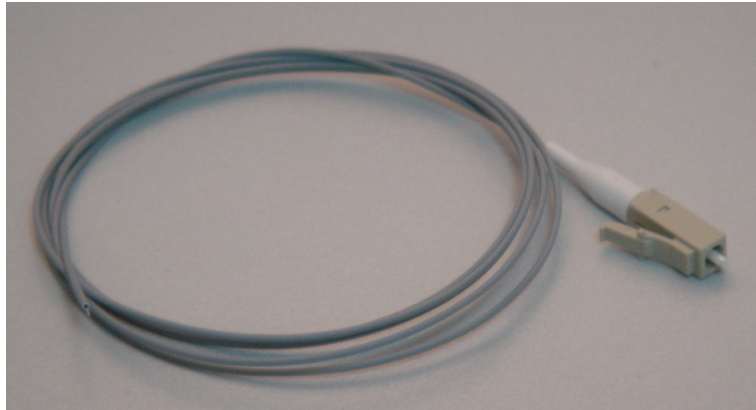
— Pigtail LC, 50/125 OM3 —

Connector : plastic compound body, ceramic ferrule (ZrO₂)

Fiber : 900µm multimode 50/125 OM3, grey

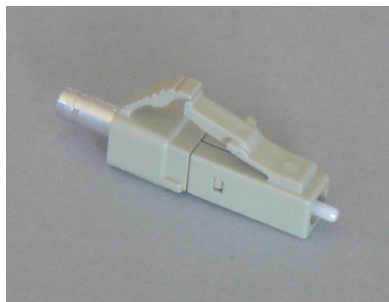
STANDARD COMPLIANCE

All components of / and the final product are designed and tested to confirm the requirements of IEC 60874-20, CECC, Bellcore / Telcordia GR-326 (reduced), EIA/TIA 568, ISO/IEC 11801:2002 2nd Ed., EN 50173-1:2002, ITU-T G.651, IEC 60793-2-50 B1.1, IEC 60793-2-10 A1b, EIA/TIA 492AAAC. All components are RoHS compliant and do not and will not contain any restricted hazardous substances as detailed in RoHS 2002/95/EC.



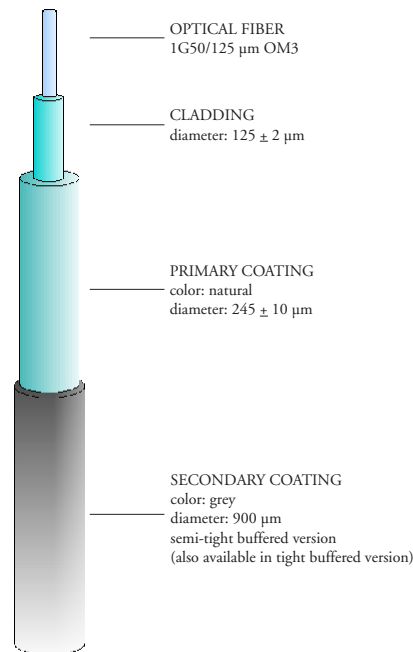
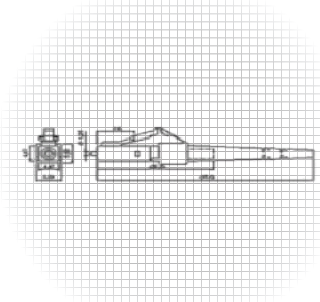
PERFORMANCE

Attenuation	: <0,25 dB
Return loss	: >25 dB
Temperature range	: -10° C to +65° C
Color of fiber	: grey <i>other colors on request</i>
Fiber version	: semi-tight buffer; <i>tight buffered on request</i>
Color of boot	: white <i>other colors on request</i>
Packaging	: 6 pcs./unit <i>other packaging on request</i>



TECHNICAL SPECIFICATION

Type	: LC
Material of ferrule	: ZrO ₂ (Zirconia/Ceramic)
Material of body	: plastic compound
Connection at adapter	: push - pull
Insertion loss	: <0,20 dB
Attenuation after termination	: <0,25 dB
Mating cycles	: >1000
Ferrule drilling	: 127 / 128 µm



MECHANICAL PERFORMANCE FIBER

Weight	: 0,7 kg/km
Temperature range	: -10° C to +65° C
Bending radius	: 30 mm
Tensile strength	: 3 N
Crush resistance	: 0,1 N/mm (long term) - 1 N (short term)

OPTICAL PERFORMANCE FIBER

Item		50/125
CORE DIAMETER	µm	50 ± 2,5
CLADDING DIAMETER	µm	125 ± 1
CLADDING NON-CIRCULARITY	%	1,0
CORE/CLADDING CONCENTRICITY	µm	≤ 1,5
TYP. ATTENUATION @ 850nm	dB/km	2,5
TYP. ATTENUATION @ 1300nm	dB/km	0,7
BANDWIDTH @ 850nm	MHz * km	≥ 1500
BANDWIDTH @ 1300nm	MHz * km	≥ 500
LINK LENGTH 1000BaseSX	m	2 - 1500
LINK LENGTH 1000BaseLX	m	2 - 500
LINK LENGTH 10GBase SR	m	2 - 300
LINK LENGTH 10GBase X4	m	2 - 300
FOR ENTIRE FIBER SPECS REFER TO		LL-F-008-OM3

— On request, fibers featuring other than the above stated specifications can be quoted —

© Fumo2006. All Rights Reserved. – All values in this data sheet are nominal.

Rev. 08/2007

The information contained within this document must not be copied, reprinted or reproduced in any form, either wholly or in part, without the written consent of Fumo. The information is believed correct at the time of issue. Fumo reserves the right to amend this specification without notice. Specification is not contractually valid unless specifically authorized by Fumo.



Made in
Italy