

panel mounting appliance inlet - without hinged cover

Product description

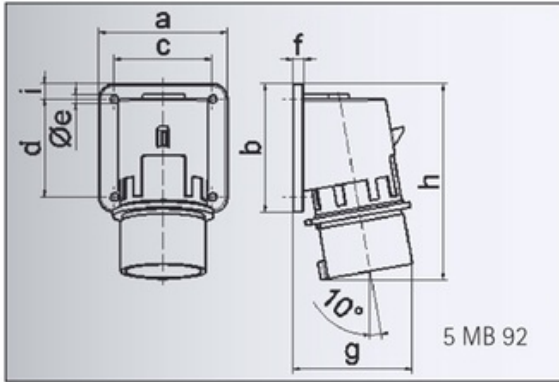
Order number	26051
EAN/pcs	4024941260510
Product Group	TE surface mounting appliance inlet Quick-Connect
Amperage	32A
Poles	5p (3p+N+PE)
Earth 'Clock' Position	6 h
Voltage	200/346 up to 240/415V
Frequency	50 and 60Hz
Protection	IP44
Color code	red RAL 3000
Connection Design	screwless spring-clamp technology as spring clamp
Max. conductor	6,0 mm ²



Further Information

Material

Material of Enclosure	Polyamide
Contact / Contact Carrier	contact carrier made of high temperature resistant material, contacts are brass nickel plated
Weight/pcs	0.261 kg
Packaging unit	10 pcs



Ampere	16	32
Polzahl	5	5
a	84,0	90,0
b	84,0	75,0
c	64,0	78,0
d	64,0	45,0
e ø	5,5	5,5
f	7,0	7,0
g	78,0	88,0
h	129,0	139,0
i	10,0	13,0
Leiter mm ² min	1	2,5
Leiter mm ² max	2,5	6