

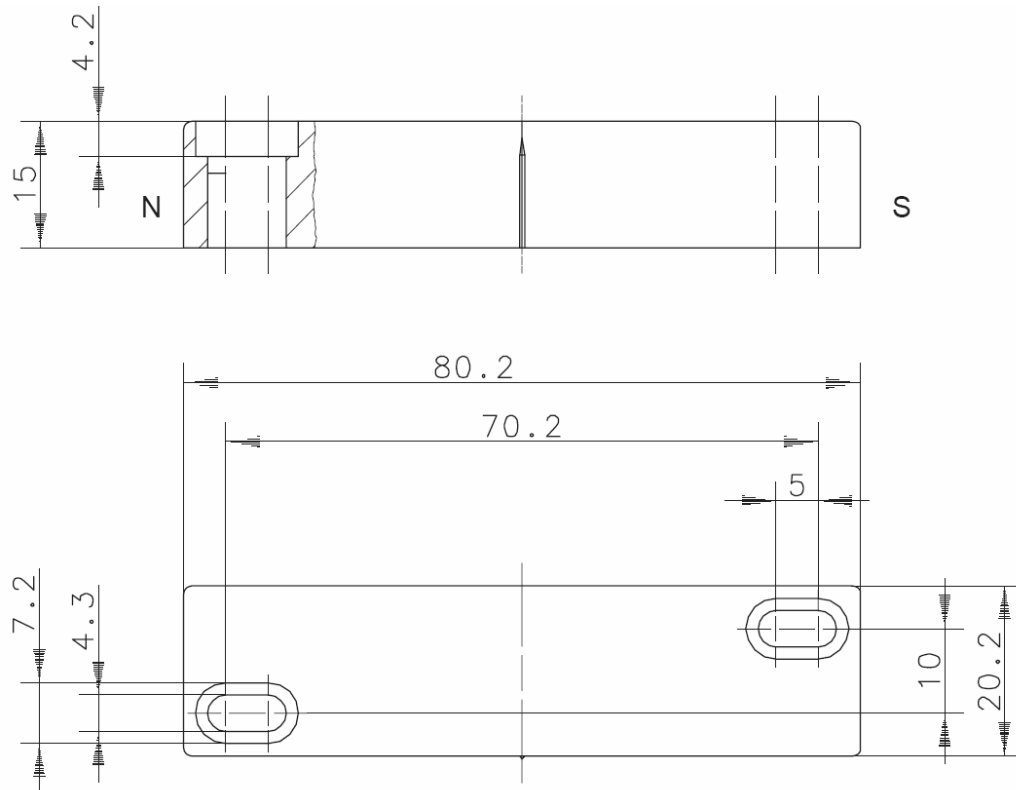
Technical Data

Magnetic switches

Switching magnet

Type designation **TK-21-12**

Item number **6302121030**



Characteristic features

Mechanical data

Housing	Pa6.6 (encapsulated magnets)
Magnet	AlNiCo-500
Ambient air temperature	-20 °C ... +80 °C
Application	general
Assembly position	optional

This document will not become the contractual basis; the details included herein do not constitute any descriptions of expected conditions, so that warranties/claims for defects on account of possible variations of the actual from the here described condition are excluded. Subject to modifications and amendments.

Aimant T/TK/TA

Date of issue: 23.04.2013 / Page 1 of 1
Document: 6302121030_en / Last update: 1 / 0168-13

BERNSTEIN AG, Tieloser Weg 6, D-32457 Porta Westfalica, Germany / www.bernstein.eu

Vorlage : 0850174307 Orig. 1