

PS 20x127 FERRULE FUSE HOLDERS AND NO-LOAD DISCONNECTORS



Fuse Holders and Fuse no-load Disconnectors for 20x127 Ferrule-type fuses

HIGHLIGHTS:

- Solid assembly offers good thermal and mechanical withstand rating
- Fuse mounting in holders or no-load disconnectors with or without open fuse indicating microswitches
- Phenolic resin models for basic applications, fiber-glass polyester for applications in corrosive atmospheres or applications for traction
- Voltage = 1,500 V and 2,500 V

Dimensions

DESCRIPTION	Insulation voltage rating U_i AC 50/60 Hz or DC	Fuse current rating I_n (A)	Maximum operating current of fuse (A)					Advised copper wire size mm^2	Fire and fumes class NF F 16-101 and 102 and UL
			1000 V gLB	= 1000 V gRC	= 1000 V gRB	= 1500 V gRB	= 1500 V gRD		
PSI 20X127	1500 V without terminal covers	50		50	No Operating Limit	No Operating Limit	10	basic model 12-F1 UL 94 V1 salt spray-proof model 11 - F1 UL 94 VO	
PSI 20X127 PRE	2500 V with terminal covers and only salt spray-proof model	63		56			16		
PSII 20X127 PRE		80	80	25					
PSIII 20X127 PRE		100	90	35					
PSIV 20X127 PRE		125	100	50					

Connecting with 50 mm² max. cable with copper terminals or with a 15 x 8 max. rigid or flexible bar.

Dielectric withstand tests

	R.M.S. voltage 1 mn 50/60 Hz	Impulse voltage 1.2/50 s (IEC 694 et CEI 60)
Between close phases and phase and ground Between phases and microswitch	6kV(1) - 10 kV(2) 12 kV	12 kV(1) - 20 kV(2)

Connecting with 16mm² max.. width, 5mm max. thick terminal

(1) Basic model

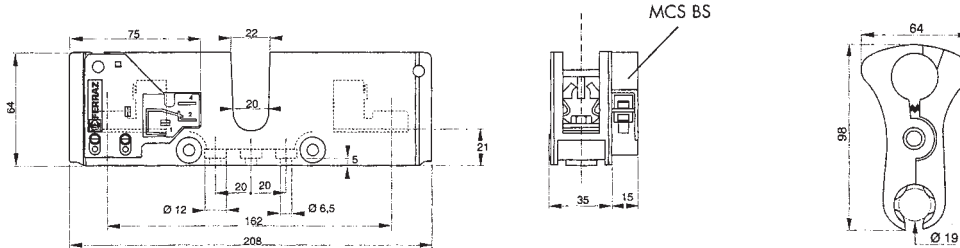
Max. temperature (°C)/ Relative humidity (%): 20 °C/95% - 40°C/80% - 50°C/50%

(2) Salt spray-proof model

Moist tropical and equatorial climate or corrosive atmosphere.

PS 20x127 FERRULE FUSE HOLDERS AND DISCONNECTORS

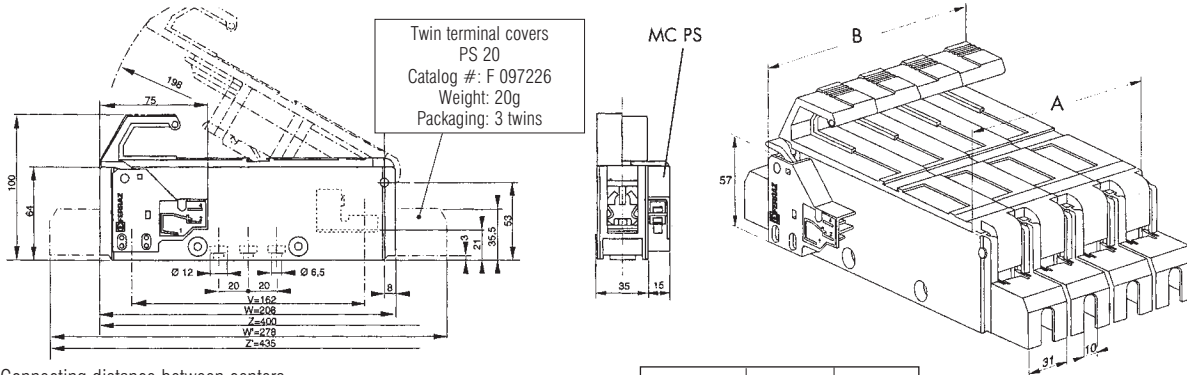
Fuse Holders and Accessories



Description	Catalog Number	Weight (g)	Packaging
PSI 20x127	X 097310	260	3 pieces
PSI 20x127 + MCS BS	X 220130	290	2 pieces

PMCP 20+22
Catalog #: K 100036
Weight: 40g
Packaging: 1

Fuse non-load Disconnectors and Accessories



V: Connecting distance between centers
W: Clip for rail mounting in two positions
W': With terminal cover length
Y: Space factor with a 90° fuse carrier position
Z: Without terminal cover, space factor with a 180° fuse carrier position
Z': With terminal cover, space factor with 180° fuse carrier position

Number of poles	A	B
1	35	50
2	69	84
3	103	118
4	137	152

Description (basic model)	Catalog Number
PSI 20x127 PRE	F 097203
PSII 20x127 PRE	G 097227
PSIII 20x127 PRE	H 097228
PSIV 20x127 PRE	J 097229
PSI 20 x 127 PRE+MC PS	H 097205
PSII 20 x 127 PRE+MC PS	D 097293
PSIII 20 x 127 PRE+MC PS	E 097294
PSIV 20 x 127 PRE+MC PS	F 097295

Preisolating and blown fuse indicating microswitch features	
Microswitch rated current	Non-inductive circuit interrupting rating
3A - 50 Hz	3A - 50 Hz
3A - DC	3A - DC

Reliable minimum operating voltage/current:
10V - 10mA
Connecting with 6.35 mm lug

Catalog Number (salt spray-proof model)	Ref. Number
PSI 20x127 PRE BS	G 097204
PSII 20x127 PRE BS	L 097231
PSIII 20x127 PRE BS	T 097261
PSIV 20x127 PRE BS	C 097292
PSI 20 x 127 PRE BS+MC PS	J 097206
PSII 20 x 127 PRE BS+MC PS	G 097296
PSIII 20 x 127 PRE BS+MC PS	H 097297
PSIV 20 x 127 PRE BS+MC PS	J 097298

Distances when mounting on a conductive board @ $U_i = 2500$ VAC

