

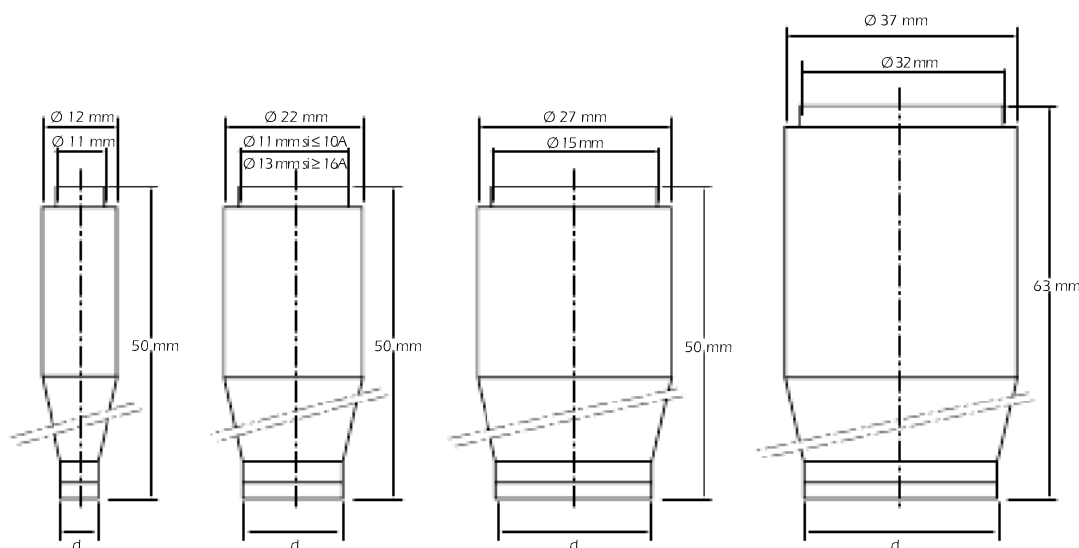
D gG fuses - NDZ, DII, DIII, DIV, DV

Size	Current (A)	Voltage (V) (V)	Color Code	Ref. number	Cat. Number	Pckg
NDZ	2	500V	pink	W212539E	NDZGG50V2	5
NDZ	4	500V	brown	G213055E	NDZGG50V4	5
NDZ	6	500V	green	C213557E	NDZGG50V6	5
NDZ	10	500V	red	B214062E	NDZGG50V10	5
NDZ	16	500V	grey	J214575E	NDZGG50V16	5
NDZ	20	500V	blue	Q215087E	NDZGG50V25	5
NDZ	25	500V	yellow	Q215593E	NDZGG50V25	5
DII	2	500V	pink	Z219718E	DIIIGG50V2	5
DII	4	500V	brown	G222163E	DIIIGG50V4	5
DII	6	500V	green	B222917E	DIIIGG50V6	5
DII	10/6*	500V	red	D213558E	DIIIGG50V10/6F	5
DII	10	500V	red	K200707E	DIIIGG50V10	5
DII	16	500V	grey	K201765E	DIIIGG50V16	5
DII	20	500V	blue	A211508E	DIIIGG50V20	5
DII	25	500V	yellow	X212540E	DIIIGG50V25	5
DIII	35	500V	black	C214063E	DIIIIGG50V35	5
DIII	50	500V	white	K214576E	DIIIIGG50V50	5
DIII	63	500V	copper	R215088E	DIIIIGG50V63	5
DIV	80	500V	silver	V216609J	DIVGG50V80	10
DIV	100	500V	red	M217637J	DIVGG50V100	10
DV	125	500V	yellow	V218150J	DVGG50V125	10
DV	160	500V	copper	G218667J	DVGG50V160	10
DV	200	500V	blue	W219186J	DVGG50V200	10



Ref. B214062E

* with base contact stud for 6A (without VDE test mark).



Type	NDZ	DII	DIII	DIV
plug diameters	E16	E27	E33	R 1 1/4
d	There is a standardized diameter d for each fuse rating			

Functions

gG industrial fuses – German DIN standard - D EN 60269-1 and 2-1 compliant.
 Old standard (D) on dimensions to mechanically ensure non-interchangeability of ratings.
 Protection for power cables and equipment except motors.
 Selective coordination between two fuses two ratings apart (e.g. 16A and 10A).

Being replaced by NEOZED fuses.
 This single curve replaces previous curves (Träge and Flink).

Applications

Protection at all levels of power distribution.
 Mains, branch circuits, service entrance and point of use equipment.