

MCD-I

Mild steel combinable version, double door enclosure

nVent

HOFFMAN

CONNECT AND PROTECT



IP 55 | TYPE 12, 13 | IK 10



The mild steel double door combinable floor standing enclosure range, MCD, is ideal for installation in confined spaces where a single door, when opened, would take up too much space in front of the enclosure. The doors' loading capacity also increases as it is divided over two doors. With a IP 55 protection degree, components inside the enclosure are well protected and makes it well suited for many different applications.

Material: Frame: 1.5 mm painted steel. Door: 2 mm painted steel. Rear, roof and side panels: 1.5 mm painted steel. Mounting plate: 3 mm galvanized steel. Bottom plates: 1 mm galvanized steel.

Frame: Seam welded reversed open profiles with 25 mm hole pattern according to DIN 43660. Including integrated external hole pattern.

Doors: Mounted with four hinges. Including door frame with 25 mm hole pattern. Doors cannot be reversed. Separate doors to be ordered for left hand door locking.

Rear panel: Fitted by M6 torx screws. Standard facilities for rear doors mounting.

Side panels: Supplied as an accessory.

Roof panel: Removable.

Lock: Espagnolette 4-point locking system. Does not interfere with the enclosure inner space. Standard double-bit lock with 3 mm insert. Standard inserts, cylinders, lift handles and T-handles are available as accessories.

Bottom plates: Consists of three or four (D>600) pieces.

Earthing: All panels are earthed through their fittings and are equipped with a separate earthing stud.

Finish: RAL 7035 structured powder coating.

Protection: Complies with IP 55 | TYPE 12, 13 | IK 10.

Approvals: CE, CSA, DNV-GL, EAC, GOST, Kema Keur, Lloyds shipping, RS, cULus_listed.

Mounting requirements: Standard delivery ready for combined installation. For stand-alone installation add side panels.

Delivery, R5 version: Frame with fitted door, rear panel, roof panel, bottom plates, mounting plate and door frames. For enclosures 2200 mm height, delivery includes two CMB profiles mounted in depth. Delivery also includes earthing bolts. Delivered on a pallet which is identical to the width of the enclosure to allow suiting without removal. Packing material is recyclable.

Delivery, R5-01 version: Frame with fitted door, rear panel, roof panel, bottom plates and door frames. For enclosures 2200 mm height, delivery includes two CMB profiles mounted in depth. Delivery also includes earthing bolts. Delivered on a pallet which is identical to the width of the enclosure to allow suiting without removal. Packing material is recyclable.

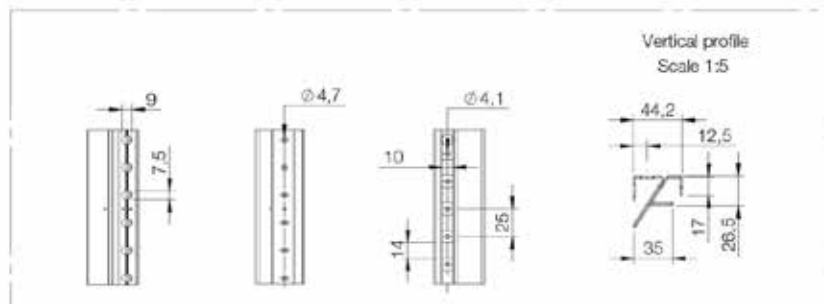
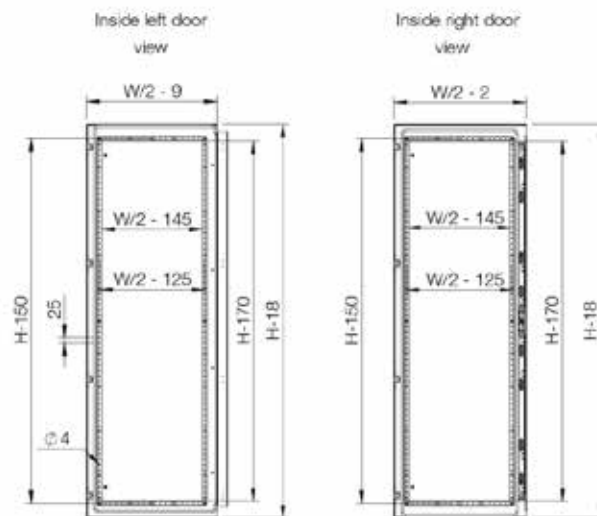
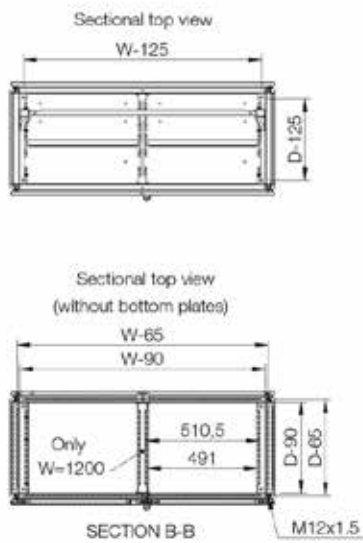
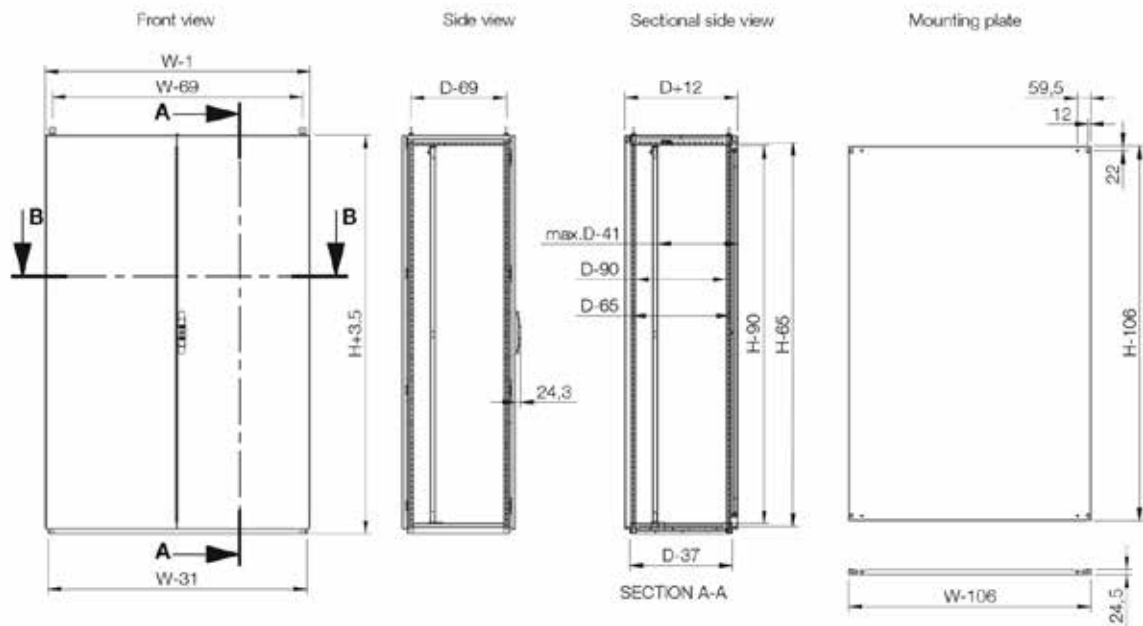
Delivery, R5-02 version: Frame with fitted door, rear door, roof panel, bottom plates, mounting plate and door frames. For enclosures 2200 mm height, delivery includes two CMB profiles mounted in depth. Delivery also includes earthing bolts. Delivered on a pallet which is identical to the width of the enclosure to allow suiting without removal. Packing material is recyclable.

Delivery, R5-03 version: Frame with fitted door, rear door, roof panel, bottom plates and door frames. For enclosures 2200 mm height, delivery includes two CMB profiles mounted in depth. Delivery also includes earthing bolts. Delivered on a pallet which is identical to the width of the enclosure to allow suiting without removal. Packing material is recyclable.

Delivery, R5-04 version: Frame with fitted door, rear door, roof panel, bottom plates, two mounting plates and door frames. For enclosures 2200 mm height, delivery includes two CMB profiles mounted in depth. Delivery also includes earthing bolts. Delivered on a pallet which is identical to the width of the enclosure to allow suiting without removal. Packing material is recyclable.

MCD-I

Mild steel combinable version, double door enclosure



With mounting plate

Enclosure dimensions				Mounting plate dimensions			
H	W	D	Weight (kg)	h	w	Item no.	
1800	1200	400	159.00	1694	1094	MCD18124R5	
1800	1200	500	163.00	1694	1094	MCD18125R5	
1800	1200	600	167.00	1694	1094	MCD18126R5	
2000	1000	500	153.00	1894	894	MCD20105R5	
2000	1000	600	156.00	1894	894	MCD20106R5	
2000	1000	800	162.00	1894	894	MCD20108R5	
2000	1200	400	172.00	1894	1094	MCD20124R5	
2000	1200	500	176.00	1894	1094	MCD20125R5	
2000	1200	600	178.00	1894	1094	MCD20126R5	
2000	1200	800	185.00	1894	1094	MCD20128R5	
2200	1200	600	194.00	2094	1094	MCD22126R5	

With mounting plate and rear door

Enclosure dimensions				Mounting plate dimensions			
H	W	D	Weight (kg)	h	w	Item no.	
1800	1000	400	137	1694	894	MCD18104R5-02	
1800	1200	400	160	1694	1094	MCD18124R5-02	
1800	1200	500	164	1694	1094	MCD18125R5-02	
1800	1200	600	168	1694	1094	MCD18126R5-02	
2000	1000	500	154	1894	894	MCD20105R5-02	
2000	1000	600	157	1894	894	MCD20106R5-02	
2000	1000	800	163	1894	894	MCD20108R5-02	
2000	1200	400	173	1894	1094	MCD20124R5-02	
2000	1200	500	177	1894	1094	MCD20125R5-02	
2000	1200	600	179	1894	1094	MCD20126R5-02	
2000	1200	800	186	1894	1094	MCD20128R5-02	
2200	1200	600	195	2094	1094	MCD22126R5-02	

With two mounting plates and rear door

Enclosure dimensions				Mounting plate dimensions			
H	W	D	Weight (kg)	h	w	Item no.	
1800	1000	400	174	1694	894	MCD18104R5-04	
1800	1200	400	205	1694	1094	MCD18124R5-04	
1800	1200	500	209	1694	1094	MCD18125R5-04	
1800	1200	600	213	1694	1094	MCD18126R5-04	
2000	1000	500	196	1894	894	MCD20105R5-04	
2000	1000	600	199	1894	894	MCD20106R5-04	
2000	1000	800	204	1894	894	MCD20108R5-04	
2000	1200	400	222	1894	1094	MCD20124R5-04	
2000	1200	500	227	1894	1094	MCD20125R5-04	
2000	1200	600	227	1894	1094	MCD20126R5-04	
2000	1200	800	234	1894	1094	MCD20128R5-04	
2200	1200	600	248	2094	1094	MCD22126R5-04	

With two mounting plates and rear door

Enclosure dimensions				Mounting plate dimensions			Item no.
H	W	D	Weight (kg)	h	w		
1800	1000	400	174	1694	894	MCD18104R5-04	
1800	1200	400	205	1694	1094	MCD18124R5-04	
1800	1200	500	209	1694	1094	MCD18125R5-04	
1800	1200	600	213	1694	1094	MCD18126R5-04	
2000	1000	500	196	1894	894	MCD20105R5-04	
2000	1000	600	199	1894	894	MCD20106R5-04	
2000	1000	800	204	1894	894	MCD20108R5-04	
2000	1200	400	222	1894	1094	MCD20124R5-04	
2000	1200	500	227	1894	1094	MCD20125R5-04	
2000	1200	600	227	1894	1094	MCD20126R5-04	
2000	1200	800	234	1894	1094	MCD20128R5-04	
2200	1200	600	248	2094	1094	MCD22126R5-04	

With two mounting plates and rear door

Enclosure dimensions				Mounting plate dimensions			Item no.
H	W	D	Weight (kg)	h	w		
1800	1000	400	174	1694	894	MCD18104R5-04	
1800	1200	400	205	1694	1094	MCD18124R5-04	
1800	1200	500	209	1694	1094	MCD18125R5-04	
1800	1200	600	213	1694	1094	MCD18126R5-04	
2000	1000	500	196	1894	894	MCD20105R5-04	
2000	1000	600	199	1894	894	MCD20106R5-04	
2000	1000	800	204	1894	894	MCD20108R5-04	
2000	1200	400	222	1894	1094	MCD20124R5-04	
2000	1200	500	227	1894	1094	MCD20125R5-04	
2000	1200	600	227	1894	1094	MCD20126R5-04	
2000	1200	800	234	1894	1094	MCD20128R5-04	
2200	1200	600	248	2094	1094	MCD22126R5-04	

MCD-I

Mild steel combinable version, double door enclosure

MCD-I

Mild steel combinable version, double door enclosure

MCD-I

Mild steel combinable version, double door enclosure