



IP 55 | TYPE 12, 13 | IK 10



The mild steel single door combinable floor standing enclosure range, MCS, with a IP 55 protection degree, is available off the shelf in many different sizes. This enclosure range is well suited for many different applications. The risk for component failure, and with that unnecessary downtime, is eliminated as water and dust are prevented from entering the enclosure.

Material: Frame: 1.5 mm painted steel. Door: 2 mm painted steel. Rear, roof and side panels: 1.5 mm painted steel. Mounting plate: 3 mm galvanized steel. Bottom plates: 1 mm galvanized steel.

Frame: Seam welded reversed open profiles with 25 mm hole pattern according to DIN 43660. Including integrated external hole pattern.

Door: Mounted with four hinges allowing left or right hand opening. Including door frame with 25 mm hole pattern.

Rear panel: Fitted by M6 torx screws. Standard facilities for rear doors mounting.

Side panels: Supplied as an accessory.

Roof panel: Removable.

Lock: Espagnolette 4-point locking system. Does not interfere with the enclosure inner space. Standard double-bit lock with 3 mm insert. Standard inserts, cylinders, lift handles and T-handles are available as accessories.

Bottom plates: Consists of three or four (D>600) pieces.

Earthing: All panels are earthed through their fittings and are equipped with a separate earthing stud.

Finish: RAL 7035 structured powder coating.

Protection: Complies with IP 55 | TYPE 12, 13 | IK 10.

Approvals: CE, CSA, DNV-GL, EAC, GOST, Kema Keur, Lloyds shipping, RS, cULus_listed.

Mounting requirements: Standard delivery ready for combined installation. For stand-alone installation add side panels.

Delivery, R5 version: Frame with fitted door, rear panel, roof panel, bottom plates, mounting plate and door frames. For enclosures 2200 mm height, delivery includes two CMB profiles mounted in depth. Delivery also includes earthing bolts. Delivered on a pallet which is identical to the width of the enclosure to allow suiting without removal. Packing material is recyclable.

Delivery, R5-01 version: Frame with fitted door, rear panel, roof panel, bottom plates and door frames. For enclosures 2200 mm height, delivery includes two CMB profiles mounted in depth. Delivery also includes earthing bolts. Delivered on a pallet which is identical to the width of the enclosure to allow suiting without removal. Packing material is recyclable.

Delivery, R5-02 version: Frame with fitted door, rear door, roof panel, bottom plates, mounting plate and door frames. For enclosures 2200 mm height, delivery includes two CMB profiles mounted in depth. Delivery also includes earthing bolts. Delivered on a pallet which is identical to the width of the enclosure to allow suiting without removal. Packing material is recyclable.

Delivery, R5-03 version: Frame with fitted door, rear door, roof panel, bottom plates and door frames. For enclosures 2200 mm height, delivery includes two CMB profiles mounted in depth. Delivery also includes earthing bolts. Delivered on a pallet which is identical to the width of the enclosure to allow suiting without removal. Packing material is recyclable.

Delivery, R5-04 version: Frame with fitted door, rear door, roof panel, bottom plates, two mounting plates and door frames. For enclosures 2200 mm height, delivery includes two CMB profiles mounted in depth. Delivery also includes earthing bolts. Delivered on a pallet which is identical to the width of the enclosure to allow suiting without removal. Packing material is recyclable.

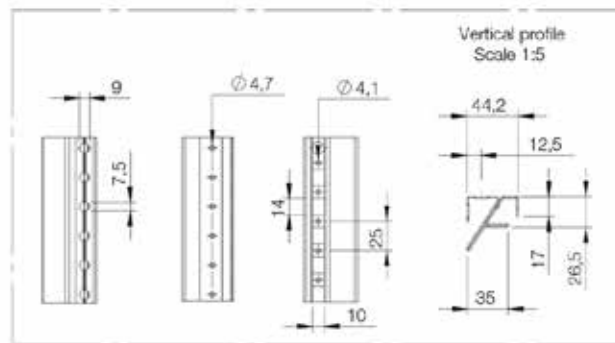
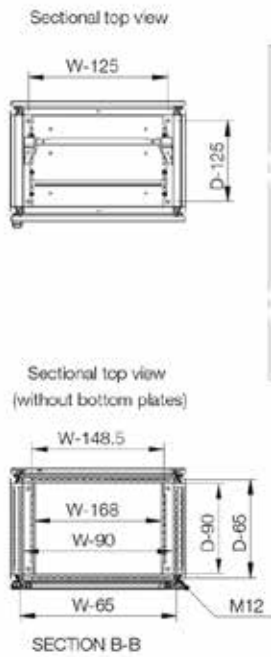
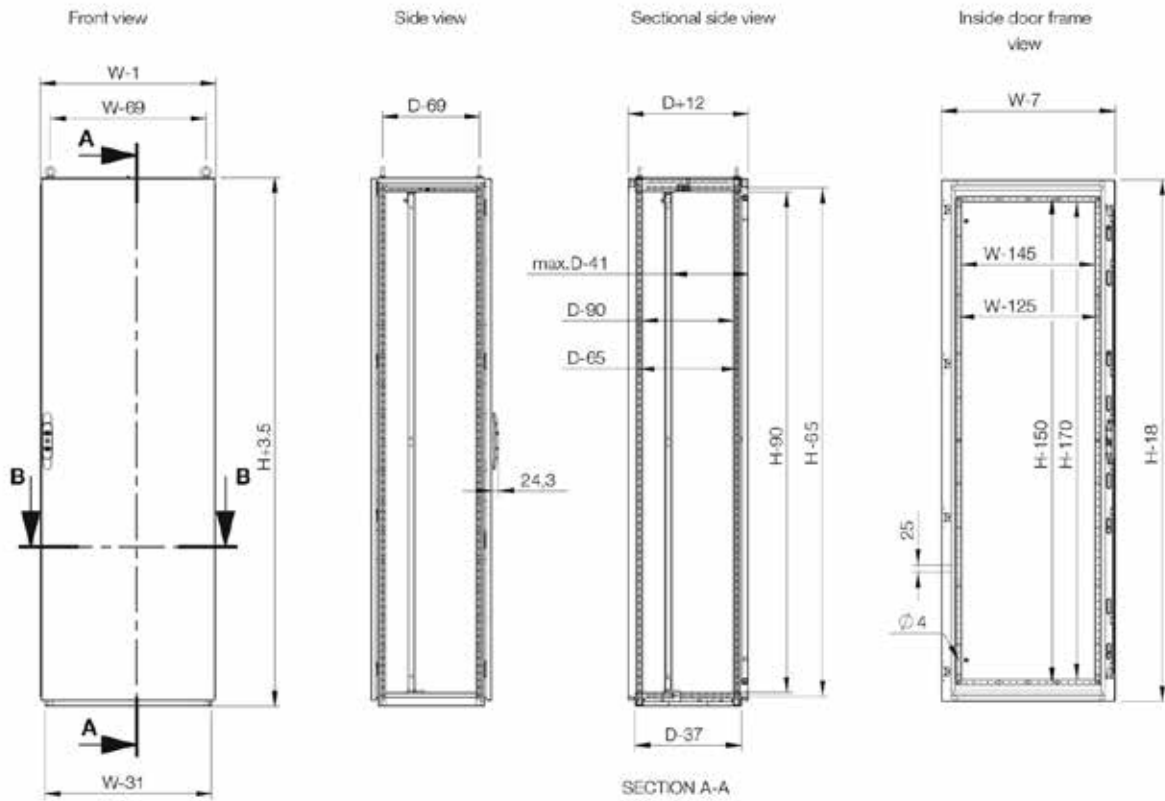
MCS-I

Mild steel combinable version, single door enclosure



HOFFMAN

CONNECT AND PROTECT



With mounting plate

Enclosure dimensions				Mounting plate dimensions			
H	W	D	Weight (kg)	h	w	Item no.	
1800	600	400	89.00	1694	494	MCS18064R5	
1800	600	500	92.00	1694	494	MCS18065R5	
1800	800	400	110.00	1694	694	MCS18084R5	
1800	800	500	112.00	1694	694	MCS18085R5	
1800	800	600	114.00	1694	694	MCS18086R5	
1800	800	800	120.00	1694	694	MCS18088R5	
1800	1000	400	130.00	1694	894	MCS18104R5	
1800	1000	500	133.00	1694	894	MCS18105R5	
2000	600	400	98.00	1894	494	MCS20064R5	
2000	600	500	100.00	1894	494	MCS20065R5	
2000	600	600	102.00	1894	494	MCS20066R5	
2000	600	800	107.00	1894	494	MCS20068R5	
2000	800	400	120.00	1894	694	MCS20084R5	
2000	800	500	122.00	1894	694	MCS20085R5	
2000	800	600	126.00	1894	694	MCS20086R5	
2000	800	800	130.00	1894	694	MCS20088R5	
2000	1000	500	146.00	1894	894	MCS20105R5	
2000	1000	600	150.00	1894	894	MCS20106R5	
2000	1000	800	156.00	1894	894	MCS20108R5	
2200	600	600	111.00	2094	494	MCS22066R5	
2200	800	600	135.00	2094	694	MCS22086R5	
2200	800	800	141.00	2094	694	MCS22088R5	

With mounting plate and rear door

Enclosure dimensions				Mounting plate dimensions			
H	W	D	Weight (kg)	h	w	Item no.	
1800	600	400	90	1694	494	MCS18064R5-02	
1800	600	500	93	1694	494	MCS18065R5-02	
1800	800	400	111	1694	694	MCS18084R5-02	
1800	800	500	113	1694	694	MCS18085R5-02	
1800	800	600	115	1694	694	MCS18086R5-02	
1800	800	800	120	1694	694	MCS18088R5-02	
1800	1000	400	131	1694	894	MCS18104R5-02	
1800	1000	500	134	1694	894	MCS18105R5-02	
2000	600	400	99	1894	494	MCS20064R5-02	
2000	600	500	101	1894	494	MCS20065R5-02	
2000	600	600	103	1894	494	MCS20066R5-02	
2000	600	800	108	1894	494	MCS20068R5-02	
2000	800	400	121	1894	694	MCS20084R5-02	
2000	800	500	123	1894	694	MCS20085R5-02	
2000	800	600	127	1894	694	MCS20086R5-02	
2000	800	800	131	1894	694	MCS20088R5-02	
2000	1000	500	147	1894	894	MCS20105R5-02	
2000	1000	600	151	1894	894	MCS20106R5-02	
2000	1000	800	157	1894	894	MCS20108R5-02	
2200	600	600	112	2094	494	MCS22066R5-02	
2200	800	600	136	2094	694	MCS22086R5-02	
2200	800	800	142	2094	694	MCS22088R5-02	

With two mounting plates and rear door

Enclosure dimensions				Mounting plate dimensions			
H	W	D	Weight (kg)	h	w	Item no.	
1800	600	400	111	1694	494	MCS18064R5-04	
1800	600	500	116	1694	494	MCS18065R5-04	
1800	800	400	140	1694	694	MCS18084R5-04	
1800	800	500	141	1694	694	MCS18085R5-04	
1800	800	600	142	1694	694	MCS18086R5-04	
1800	800	800	146	1694	694	MCS18088R5-04	
1800	1000	400	167	1694	894	MCS18104R5-04	
1800	1000	500	171	1694	894	MCS18105R5-04	
2000	600	400	123	1894	494	MCS20064R5-04	
2000	600	500	126	1894	494	MCS20065R5-04	
2000	600	600	127	1894	494	MCS20066R5-04	
2000	600	800	133	1894	494	MCS20068R5-04	
2000	800	400	153	1894	694	MCS20084R5-04	
2000	800	500	156	1894	694	MCS20085R5-04	
2000	800	600	160	1894	694	MCS20086R5-04	
2000	800	800	161	1894	694	MCS20088R5-04	
2000	1000	500	188	1894	894	MCS20105R5-04	
2000	1000	600	192	1894	894	MCS20106R5-04	
2000	1000	800	197	1894	894	MCS20108R5-04	
2200	600	600	135	2094	494	MCS22066R5-04	
2200	800	600	171	2094	694	MCS22086R5-04	
2200	800	800	177	2094	694	MCS22088R5-04	

With two mounting plates and rear door

Enclosure dimensions				Mounting plate dimensions			
H	W	D	Weight (kg)	h	w	Item no.	
1800	600	400	111	1694	494	MCS18064R5-04	
1800	600	500	116	1694	494	MCS18065R5-04	
1800	800	400	140	1694	694	MCS18084R5-04	
1800	800	500	141	1694	694	MCS18085R5-04	
1800	800	600	142	1694	694	MCS18086R5-04	
1800	800	800	146	1694	694	MCS18088R5-04	
1800	1000	400	167	1694	894	MCS18104R5-04	
1800	1000	500	171	1694	894	MCS18105R5-04	
2000	600	400	123	1894	494	MCS20064R5-04	
2000	600	500	126	1894	494	MCS20065R5-04	
2000	600	600	127	1894	494	MCS20066R5-04	
2000	600	800	133	1894	494	MCS20068R5-04	
2000	800	400	153	1894	694	MCS20084R5-04	
2000	800	500	156	1894	694	MCS20085R5-04	
2000	800	600	160	1894	694	MCS20086R5-04	
2000	800	800	161	1894	694	MCS20088R5-04	
2000	1000	500	188	1894	894	MCS20105R5-04	
2000	1000	600	192	1894	894	MCS20106R5-04	
2000	1000	800	197	1894	894	MCS20108R5-04	
2200	600	600	135	2094	494	MCS22066R5-04	
2200	800	600	171	2094	694	MCS22086R5-04	
2200	800	800	177	2094	694	MCS22088R5-04	

With two mounting plates and rear door

Enclosure dimensions				Mounting plate dimensions			Item no.
H	W	D	Weight (kg)	h	w		
1800	600	400	111	1694	494	MCS18064R5-04	
1800	600	500	116	1694	494	MCS18065R5-04	
1800	800	400	140	1694	694	MCS18084R5-04	
1800	800	500	141	1694	694	MCS18085R5-04	
1800	800	600	142	1694	694	MCS18086R5-04	
1800	800	800	146	1694	694	MCS18088R5-04	
1800	1000	400	167	1694	894	MCS18104R5-04	
1800	1000	500	171	1694	894	MCS18105R5-04	
2000	600	400	123	1894	494	MCS20064R5-04	
2000	600	500	126	1894	494	MCS20065R5-04	
2000	600	600	127	1894	494	MCS20066R5-04	
2000	600	800	133	1894	494	MCS20068R5-04	
2000	800	400	153	1894	694	MCS20084R5-04	
2000	800	500	156	1894	694	MCS20085R5-04	
2000	800	600	160	1894	694	MCS20086R5-04	
2000	800	800	161	1894	694	MCS20088R5-04	
2000	1000	500	188	1894	894	MCS20105R5-04	
2000	1000	600	192	1894	894	MCS20106R5-04	
2000	1000	800	197	1894	894	MCS20108R5-04	
2200	600	600	135	2094	494	MCS22066R5-04	
2200	800	600	171	2094	694	MCS22086R5-04	
2200	800	800	177	2094	694	MCS22088R5-04	

MCS-I

Mild steel combinable version, single door enclosure

MCS-I

Mild steel combinable version, single door enclosure

"Armoires au sol