

Protistor® size 2x122 aR

2000VDC

SEMICONDUCTOR PROTECTION FUSES

SQUARE BODY HIGH-SPEED FUSE-LINKS DC PROTECTION



Mersen DC offers provide a very high performant protection for railway power and auxiliary circuits. Mersen DC Semiconductor fuse-links were developed to provide improved performance required by today's new DC equipment. These fuse-links are typically operated at more elevated temperature than other fuse type, have lower I^2t to minimize damage to protected components on short circuits, lower watts loss and longer life.

TECHNICAL DATA OVERVIEW

Voltage DC	2000 VDC
Ampere Range (A)	500 ... 800 A
Speed/Characteristic	aR
Product Size	2x122
Package	1
Weight	3.35 kg

FEATURES & BENEFITS

- Extremely fast acting
- Extremely current limiting
- Very low I^2t
- Worldwide acceptability
- Superior cycling ability

APPLICATIONS

- Protection of inverters
- Protection of motor drives
- Protection of UPS systems
- Protection of similar 2000V or less equipments
- Railway power and auxiliary circuits

STANDARDS

- IEC 60269-4 compliance

Mersen products have been designed by Mersen for a range of specific applications to be operated depending on particular specification and conditions. Mersen makes no representation or/and warranty, and waives any liability, either express or implied for products' reliability and life time or technical performance in case Mersen has not been provided with customer's specifications or if the products are not purchased directly from Mersen or its distributors and/or agents.

Protistor® size 2x122 aR

2000VDC

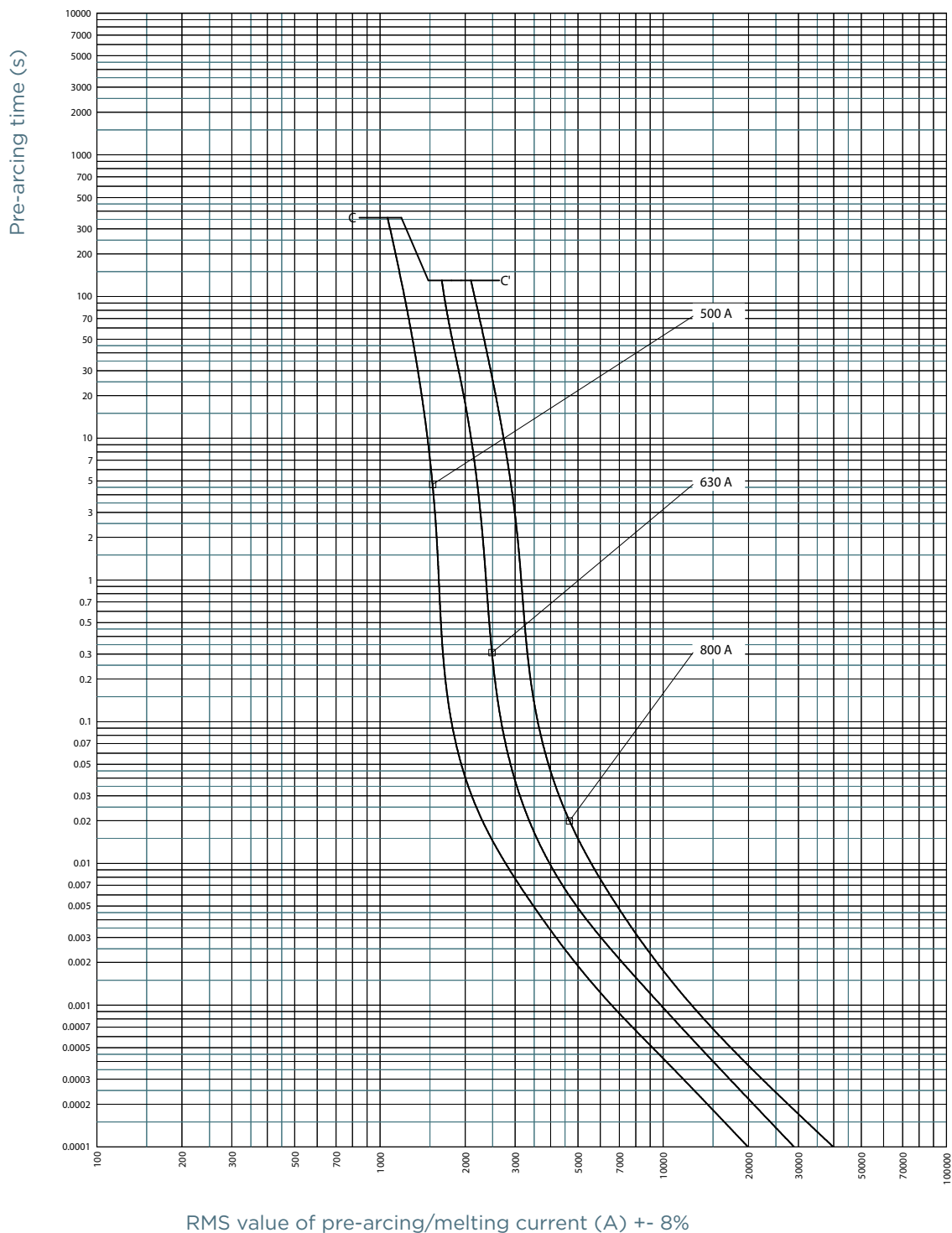
PRODUCT RANGE

Size 2x122 SR 2000VDC

Catalog number	Item number	Rated voltage DC (IEC)	Rated current I _n	Rated breaking capacity DC	Max. total I ² t @1600V for L/R=15ms	Max. total I ² t @1600V for L/R=45ms	Power dissipation at I _n	Power dissipation at 0.8 I _n	Operating I ² t at Rated Voltage	Package	Weight
D2122SD20C500QF	E076640	2000 V	500 A	100 kA	200000 A ² s	348000 A ² s	274 W	145 W	200000 A ² s	1	3.35 kg
D2122SD20C630QF	F076641	2000 V	630 A	100 kA	468000 A ² s	800000 A ² s	314 W	155 W	468000 A ² s	1	3.35 kg
D2122SD20C800QF	V096066	2000 V	800 A	100 kA	876000 A ² s	1520000 A ² s	367 W	182 W	876000 A ² s	1	3.35 kg

Mersen products have been designed by Mersen for a range of specific applications to be operated depending on particular specification and conditions. Mersen makes no representation or/and warranty, and waives any liability, either express or implied for products' reliability and life time or technical performance in case Mersen has not been provided with customer's specifications or if the products are not purchased directly from Mersen or its distributors and/or agents.

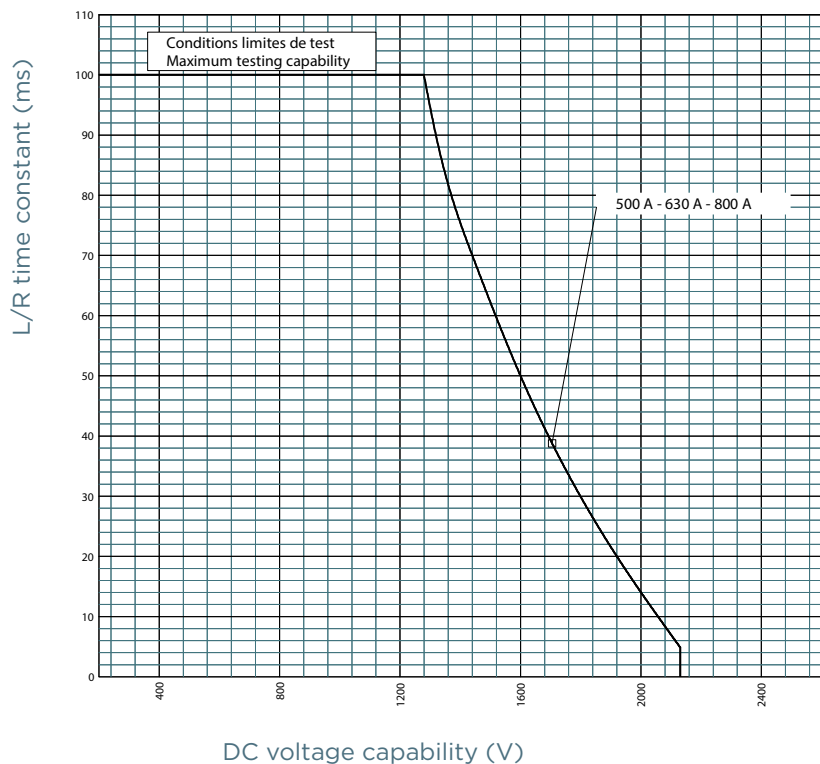
TIME CURRENT CHARACTERISTIC CURVES



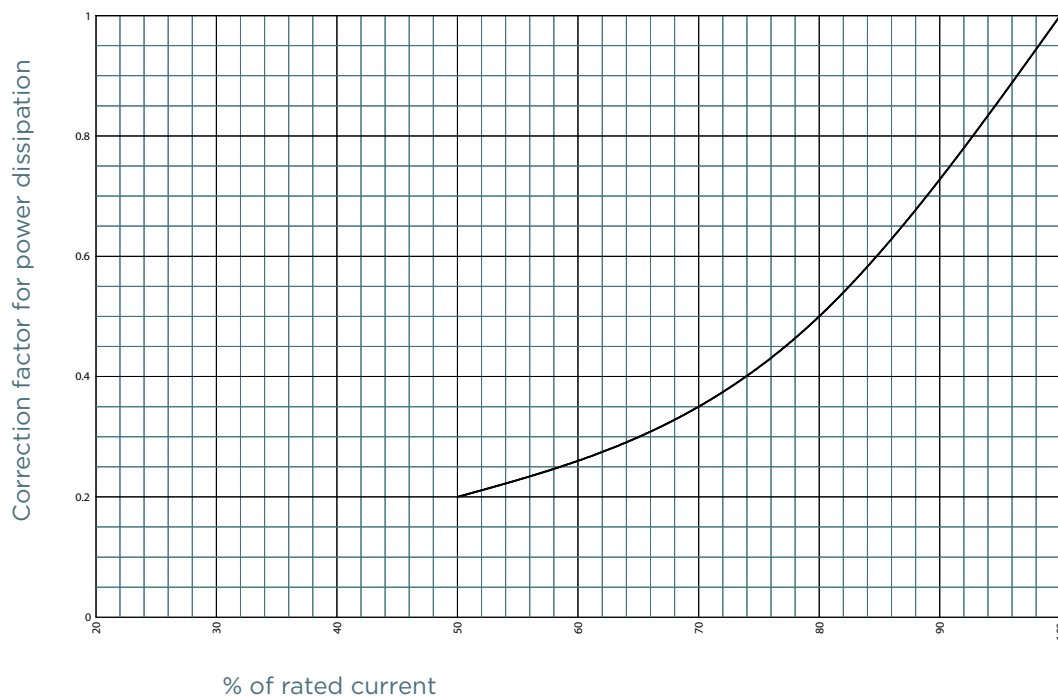
RMS value of pre-arcing/melting current (A) +/- 8%

Mersen products have been designed by Mersen for a range of specific applications to be operated depending on particular specification and conditions. Mersen makes no representation or/and warranty, and waives any liability, either express or implied for products' reliability and life time or technical performance in case Mersen has not been provided with customer's specifications or if the products are not purchased directly from Mersen or its distributors and/or agents.

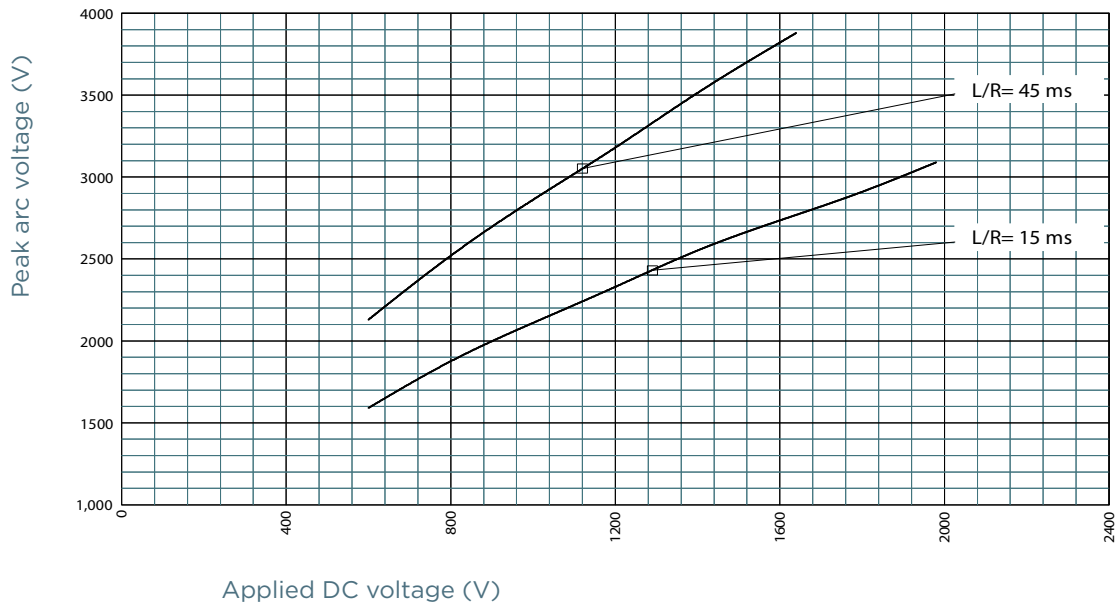
L/R TIME CONSTANT VS DC VOLTAGE CAPABILITY



POWER DISSIPATION



PEAK ARC VOLTAGE



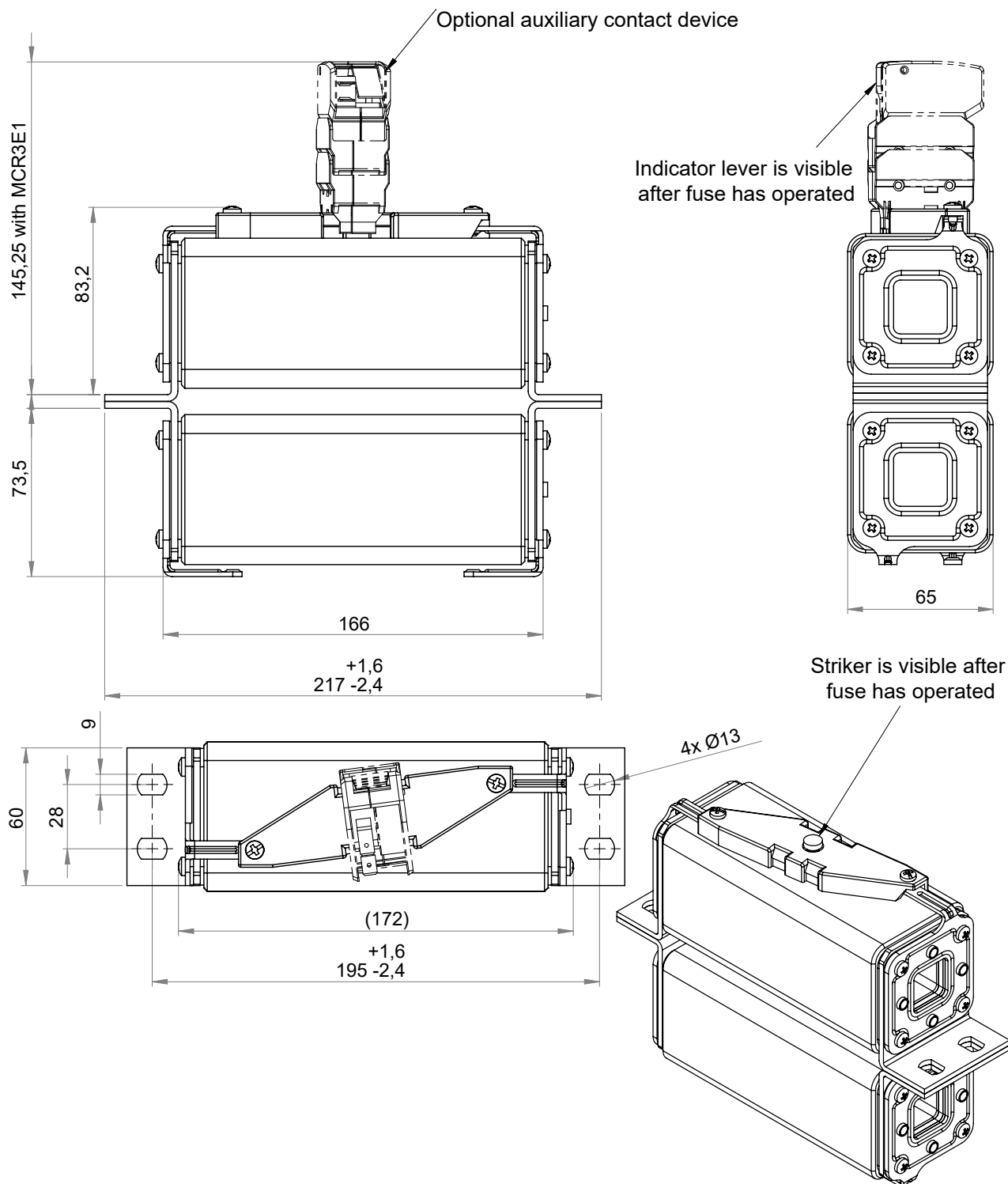
Mersen products have been designed by Mersen for a range of specific applications to be operated depending on particular specification and conditions. Mersen makes no representation or/and warranty, and waives any liability, either express or implied for products' reliability and life time or technical performance in case Mersen has not been provided with customer's specifications or if the products are not purchased directly from Mersen or its distributors and/or agents.

Protistor® size 2x122 aR

2000VDC

DIMENSIONS

Size 2x122aR 2000VDC



Dimensions in mm

Fusible carré Protistor 630A 2000V DC SRD 2x122

Semiconductor Protection Fuses / DS-PFS312SD22-05-0521-EN

EP.MERSEN.COM

© 2021 Mersen. All rights reserved. Mersen reserves the right to change, adapt, limit or discontinue its products. Therefore the data provided herein are for information only and are not contractually binding. To ensure that Mersen provides the best solution to your needs, please contact and provide Mersen with all relevant technical specifications and conditions.

MERSEN
Expertise, our source of energy

Mersen products have been designed by Mersen for a range of specific applications to be operated depending on particular specification and conditions. Mersen makes no representation or/and warranty, and waives any liability, either express or implied, for products' reliability and life time or technical performance in case Mersen has not been provided with customer's specifications or if the products are not purchased directly from Mersen or its distributors and/or agents.