



CONTACTOR, AC-3, 7.5KW/400V, 1NO+1NC,
AC 230V 50HZ, 3-POLE,
SZ S0 SCREW TERMINAL

General technical data:		
product brand name		SIRIUS
Size of the contactor		S0
Product extension		
• auxiliary switch		Yes
• function module for communication		No
Protection class IP / on the front		IP20
Protection against electrical shock		finger-safe
Degree of pollution		3
Installation altitude / at a height over sea level / maximum	m	2,000
Ambient temperature		
• during storage	°C	-55 ... +80
• during operating	°C	-25 ... +60
Shock resistance		
• at rectangular impulse		
• at AC		7,5g / 5 ms, 4,7g / 10 ms
• at sine pulse		
• at AC		11,8g / 5 ms, 7,4g / 10 ms
Impulse voltage resistance / rated value	kV	6
Insulation voltage / rated value	V	690

Maximum permissible voltage for protective separation / between coil and main contacts / in accordance with EN 60947-1	V	400
Mechanical operating cycles as operating time		
• of the contactor / typical		10,000,000
• of the contactor with added auxiliary switch block / typical		10,000,000
• of the contactor with added electronics-compatible auxiliary switch block / typical		5,000,000

Main circuit:

Number of NC contacts / for main contacts		0
Number of NO contacts / for main contacts		3
Connectable conductor cross-section / in main circuit		
• at AC-1		
• at 40 °C / minimum permissible	m ²	10
• at 60 °C / minimum permissible	m ²	10
Operating current		
• at AC-1 / up to 690 V		
• at 40 °C ambient temperature / rated value	A	40
• at 60 °C ambient temperature / rated value	A	35
• at AC-2 / at 400 V / rated value	A	17
• at AC-3		
• at 400 V / rated value	A	17
• at 500 V / rated value	A	17
• at 690 V / rated value	A	13
• at AC-4 / at 400 V / rated value	A	15.5
Operating current		
• with 1 current path / at DC-1		
• at 24 V / rated value	A	35
• at 110 V / rated value	A	4.5
• at 220 V / rated value	A	1
• at 440 V / rated value	A	0.4
• at 600 V / rated value	A	0.25
• with 2 current paths in series / at DC-1		
• at 24 V / rated value	A	35
• at 110 V / rated value	A	35
• at 220 V / rated value	A	5
• at 440 V / rated value	A	1
• at 600 V / rated value	A	0.8
• with 3 current paths in series / at DC-1		
• at 24 V / rated value	A	35
• at 110 V / rated value	A	35

• at 220 V / rated value	A	35
• at 440 V / rated value	A	2.9
• at 600 V / rated value	A	1.4
Operating current		
• with 1 current path / at DC-3 / at DC-5		
• at 24 V / rated value	A	20
• at 110 V / rated value	A	2.5
• at 220 V / rated value	A	1
• at 440 V / rated value	A	0.09
• at 600 V / rated value	A	0.06
• with 2 current paths in series / at DC-3 / at DC-5		
• at 24 V / rated value	A	35
• at 110 V / rated value	A	15
• at 220 V / rated value	A	3
• at 440 V / rated value	A	0.27
• at 600 V / rated value	A	0.16
• with 3 current paths in series / at DC-3 / at DC-5		
• at 24 V / rated value	A	35
• at 110 V / rated value	A	35
• at 220 V / rated value	A	10
• at 440 V / rated value	A	0.6
• at 600 V / rated value	A	0.6
Service power		
• at AC-1 / at 230 V / rated value	kW	13.3
• at AC-1 / at 400 V / rated value	kW	23
• at AC-1 / at 690 V / rated value	kW	40
• at AC-2		
• at 400 V / rated value	kW	7.5
• at AC-3		
• at 230 V / rated value	kW	4
• at 400 V / rated value	kW	7.5
• at 690 V / rated value	kW	11
• at AC-4		
• at 400 V / rated value	kW	7.5
Thermal short-time current / restricted to 10 s		
	A	150
Active power loss / at AC-3 / at 400 V / with rated Operating current value / per conductor		
	W	0.9
Off-load operating frequency		
• at AC	1/h	5,000
Frequency of operation		

- at AC-1 / according to IEC 60947-6-2
- at AC-2 / according to IEC 60947-6-2
- at AC-3 / according to IEC 60947-6-2
- at AC-4 / according to IEC 60947-6-2

1/h	1,000
1/h	1,000
1/h	1,000
1/h	300

Control circuit/ Control:

Type of voltage / of the controlled supply voltage		AC
Control supply voltage		
• at 50 Hz / at AC / rated value	V	230
operating range factor control supply voltage rated value / of the magnet coil		
• at 50 Hz / for AC		0.8 ... 1.1
Apparent pull-in power / of the solenoid / for AC	V·A	65
Apparent holding power / of the solenoid / for AC	V·A	7.6
Inductive power factor		
• with the pull-in power of the coil		0.82
• with the pull-in power of the coil		0.25
Closing delay		
• at AC	ms	9 ... 38
Opening delay		
• at AC	ms	4 ... 16
Arcing time	ms	10 ... 10
Residual current / of electronics / for control with signal <0>		
• at 230 V / with AC / maximum permissible	mA	6
• at 24 V / with DC / maximum permissible	mA	16

Auxiliary circuit:

Contact reliability / of the auxiliary contacts		1 faulty switching per 100 million (17 V, 1 mA)
Number of NC contacts / for auxiliary contacts / instantaneous switching		1
Number of NO contacts / for auxiliary contacts / instantaneous switching		1
Operating current		
• at AC-12 / maximum	A	10
• at AC-15		
• at 230 V / rated value	A	10
• at 400 V / rated value	A	3
• at 500 V / rated value	A	2
• at 690 V / rated value	A	1
Operating current / at DC-12		
• at 24 V / rated value	A	10

• at 48 V / rated value	A	6
• at 60 V / rated value	A	6
• at 110 V / rated value	A	3
• at 125 V / rated value	A	2
• at 220 V / rated value	A	1
• at 440 V / rated value	A	0.3
• at 600 V / rated value	A	0.15
Operating current / at DC-13		
• at 24 V / rated value	A	10
• at 48 V / rated value	A	2
• at 60 V / rated value	A	2
• at 110 V / rated value	A	1
• at 125 V / rated value	A	0.9
• at 220 V / rated value	A	0.3
• at 440 V / rated value	A	0.14
• at 600 V / rated value	A	0.1

UL/CSA ratings:

yielded mechanical performance (hp)		
• for single-phase squirrel cage motors		
• at 110/120 V / rated value	hp	1
• at 230 V / rated value	hp	3
• for three-phase squirrel cage motors		
• at 200/208 V / rated value	hp	3
• at 220/230 V / rated value	hp	5
• at 460/480 V / rated value	hp	10
• at 575/600 V / rated value	hp	15
Operating current (FLA) / for three-phase squirrel cage motors		
• at 480 V / rated value	A	14
• at 600 V / rated value	A	17
Contact rating designation / for auxiliary contacts / according to UL		A600 / Q600

Short-circuit:

Design of the fuse link		
• for short-circuit protection of the auxiliary switch / required		fuse gL/gG: 10 A
• for short-circuit protection of the main circuit		
• with type of assignment 1 / required		gL/gG LV HRC 3NA, DIAZED 5SB, NEOZED 5SE: 63 A
• at type of coordination 2 / required		gL/gG LV HRC 3NA, DIAZED 5SB, NEOZED 5SE: 25A

Installation/ mounting/ dimensions:

mounting position		+/-180° rotation possible on vertical mounting surface; can be tilted forward and backward by +/- 22.5° on vertical mounting surface
Type of mounting		screw and snap-on mounting onto 35 mm standard mounting rail according to DIN EN 50022
Type of fixing/fixation / series installation		Yes
Width	mm	45
Height	mm	85
Depth	mm	97
Distance, to be maintained, to the ranks assembly / sideways	mm	0

Connections/ terminals:

Design of the electrical connection		
<ul style="list-style-type: none"> • for main current circuit • for auxiliary and control current circuit • for main contacts / finely stranded / with conductor end processing • for AWG conductors / for main contacts • for auxiliary contacts / finely stranded / with conductor end processing • for AWG conductors / for auxiliary contacts 		screw-type terminals screw-type terminals 2x (1 ... 2.5 mm ²), 2x (2.5 ... 6 mm ²), 1x 10 mm ² 2x (16 ... 12), 2x (14 ... 8) 2x (0.5 ... 1.5 mm ²), 2x (0.75 ... 2.5 mm ²) 2x (20 ... 16), 2x (18 ... 14)

Sicherheitsrelevante Kenngrößen:

B10 value / with high demand rate		
<ul style="list-style-type: none"> • according to SN 31920 		1,000,000
T1 value / for proof test interval or service life		
<ul style="list-style-type: none"> • according to IEC 61508 	a	20
Proportion of dangerous failures		
<ul style="list-style-type: none"> • with low demand rate / according to SN 31920 • with high demand rate / according to SN 31920 	%	40
	%	73
Failure rate (FIT value) / with low demand rate		
<ul style="list-style-type: none"> • according to SN 31920 	FIT	100
Product function		
<ul style="list-style-type: none"> • mirror contact to IEC 60947-4-1 • comment • positively driven operation to IEC 60947-5-1 		Yes with 3RH29 No

Certificates/ approvals:

General Product Approval

EMC



Functional Safety /
Safety of
Machinery

Declaration of
Conformity

Test Certificates

[Type Examination](#)



EG-Konf.

[Special Test
Certificate](#)

[Type Test
Certificates/Test
Report](#)

Shipping Approval



Shipping Approval

other



[Confirmation](#)



[Environmental
Confirmations](#)

Further information:

Information- and Downloadcenter (Catalogs, Brochures,...)

<http://www.siemens.com/industrial-controls/catalogs>

Industry Mall (Online ordering system)

<http://www.siemens.com/industrial-controls/mall>

Cax online generator

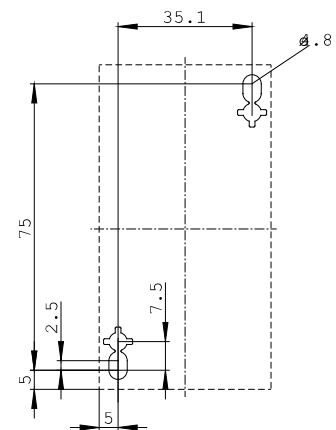
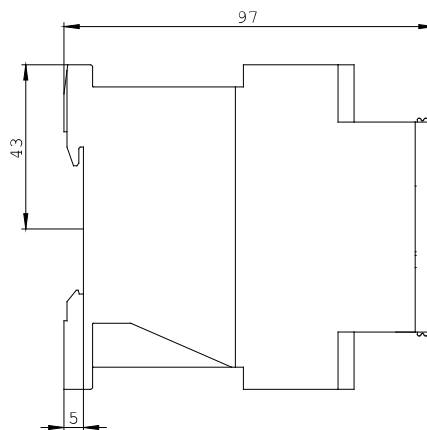
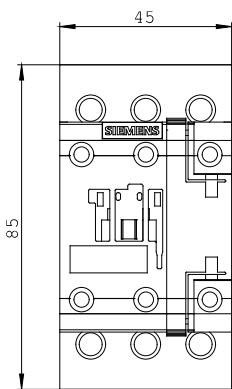
<http://www.siemens.com/cax>

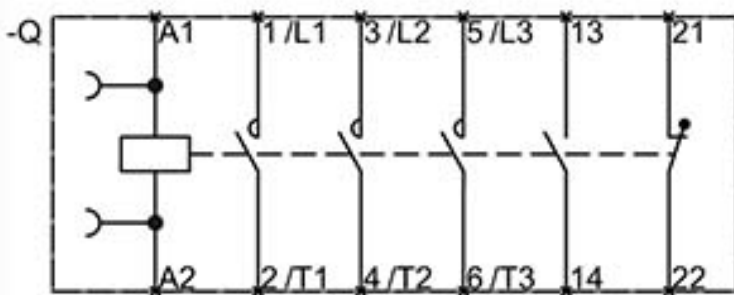
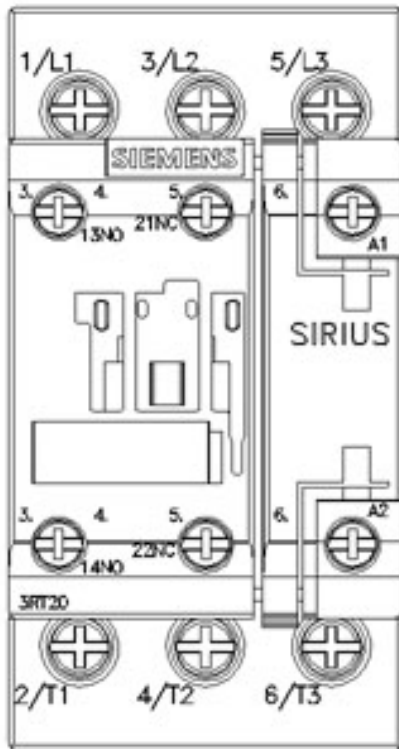
Service&Support (Manuals, Certificates, Characteristics, FAQs,...)

<http://support.automation.siemens.com/WW/view/en/3RT2025-1AP00/all>

Image database (product images, 2D dimension drawings, 3D models, device circuit diagrams, ...)

http://www.automation.siemens.com/bilddb/cax_en.aspx?mlfb=3RT2025-1AP00





last change:

Nov 21, 2013