

# Mini-Com® DIN Rail Mount Adapter

## specifications

Mini-Com® DIN Rail Mount Adapter shall be a single port adapter that shall mount to a 35mm DIN rail. Adapter shall include a label pocket, label and label cover. Mini-Com® DIN Rail Mount Adapter shall accept any single module space Mini-Com® Module.



## technical information

<b>Standards:</b>	Adapter interfaces to EN 60715, EN 50022, TH 35-7.5 DIN rail
<b>UL rating:</b>	UL94V-0, UL1863 recognized
<b>RoHS compliance:</b>	Compliant
<b>Mounting options:</b>	Mounts to a standard 35mm DIN rail
<b>Packaging:</b>	One adapter per package, supplied with one label and label cover
<b>Material:</b>	Polycarbonate

## key features and benefits

<b>Modular</b>	Accepts all single Mini-Com® Modules, which snap in and out for easy moves, adds, and changes
<b>Identification</b>	Includes label pocket with label and cover to clearly identify the port for ease of identification, maintenance, and moves, adds, and changes
<b>Low profile</b>	Compact size enables high component density on valuable DIN rail real estate
<b>Ease of Installation</b>	No custom or specialized tools required for installation or removal
<b>Grounding option</b>	Additional component creates an electrical bond between shielded jack and ground

## applications

DIN rail mount adapter allows any single module space Mini-Com® Module to securely mount to a standard 35mm DIN rail, providing an easy way to quickly move, add or change a connection, with no specialized tools required. It is ideal for any environment where DIN rails

are located. Cable is routed into a zone enclosure or control panel where the cable is terminated into a jack that is mounted into the DIN rail adapter; patch cords then connect the active equipment. Grounding kit available to allow shielded installations.

### DIN Rail Mount Adapter

**Adapter:** CADIN1IG\*

### Grounding Option

**Grounding kit:** CJSJK-XY

### Label Options

**Panther™ LS8E and**

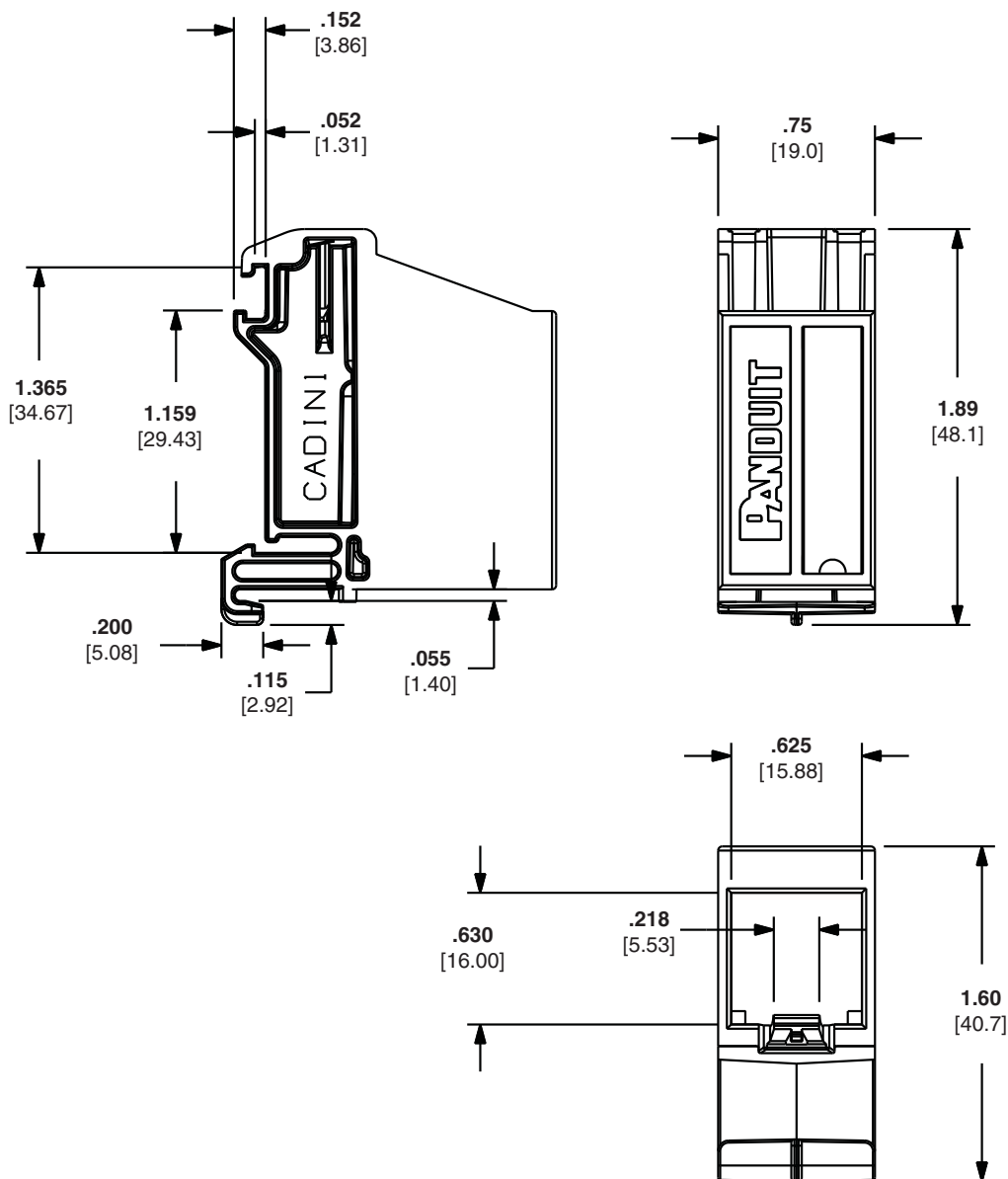
**Cougar™ LS9:** UILS8BW

### Mini-Com® Modules

Visit [www.panduit.com](http://www.panduit.com) or contact customer service for a complete line of compatible Mini-Com® Modules for copper, fiber, and audio/video applications.

\*For standard colors other than IG (International Gray), replace suffix with WH (White), IW (Off White), BL (Black) or EI (Electric Ivory).

# Mini-Com® DIN Rail Mount Adapter



Dimensions are in inches. [Dimensions in brackets are metric].

## WORLDWIDE SUBSIDIARIES AND SALES OFFICES

PANDUIT CANADA  
Markham, Ontario  
cs-cdn@panduit.com  
Phone: 800.777.3300

PANDUIT EUROPE LTD.  
London, UK  
cs-emea@panduit.com  
Phone: 44.20.8601.7200

PANDUIT SINGAPORE PTE. LTD.  
Republic of Singapore  
cs-ap@panduit.com  
Phone: 65.6305.7575

PANDUIT JAPAN  
Tokyo, Japan  
cs-japan@panduit.com  
Phone: 81.3.6863.6000

PANDUIT LATIN AMERICA  
Guadalajara, Mexico  
cs-la@panduit.com  
Phone: 52.33.3777.6000

PANDUIT AUSTRALIA PTY. LTD.  
Victoria, Australia  
cs-aus@panduit.com  
Phone: 61.3.9794.9020

For a copy of Panduit product warranties, log on to [www.panduit.com/warranty](http://www.panduit.com/warranty)

For more information

Visit us at [www.panduit.com](http://www.panduit.com)

Contact Customer Service by email: [cs@panduit.com](mailto:cs@panduit.com)  
or by phone: 800.777.3300

**PANDUIT®**

©2013 Panduit Corp.  
ALL RIGHTS RESERVED.  
**OTSP31--WW-ENG**  
Replaces WW-OTSP18  
3/2013