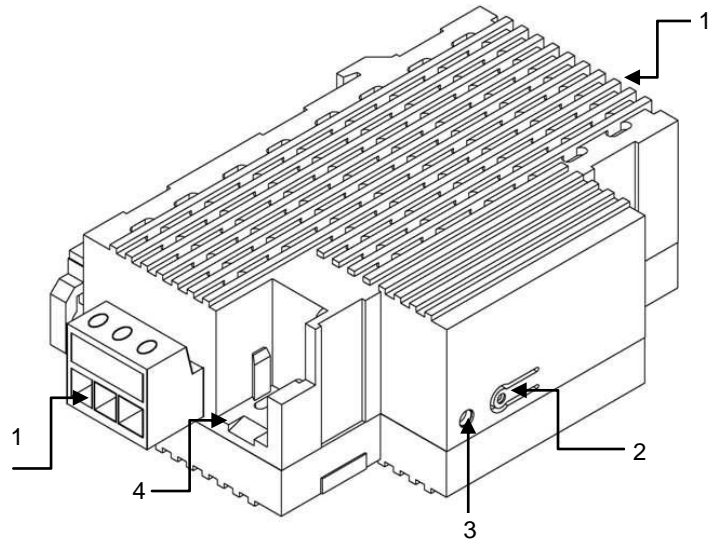


FEATURES

- Reduced size: 90 x 60 x 35 mm (2 DIN rail units).
- No external supply required different from bus.
- KNX BCU integrated.
- 3 actuation channels to be configured as:
 - shutter channels, up to 3
 - or individual outputs, up to 6.
- Connectors wiring can be executed without the ACTinBOX. Once wired, the ACTinBOX can be installed.
- DIN rail unit assembly (EN 50022), with snap fit clamp.
- Including Logical Functions.
- Outputs timing facilities.
- Total data saving on power failure.
- **Not valid for C-LOAD.**
- CE directives OK.



Programming button: a push button to set the programming mode. If this button is held while plugging the device into the KNX bus, it goes into secure mode.

LED: Programming mode indicator. When the device goes into secure mode, it blinks (red) every half second. During start up (after reset or power failure) and if the device is not in secure mode, LED indicator blinks blue for a few seconds.

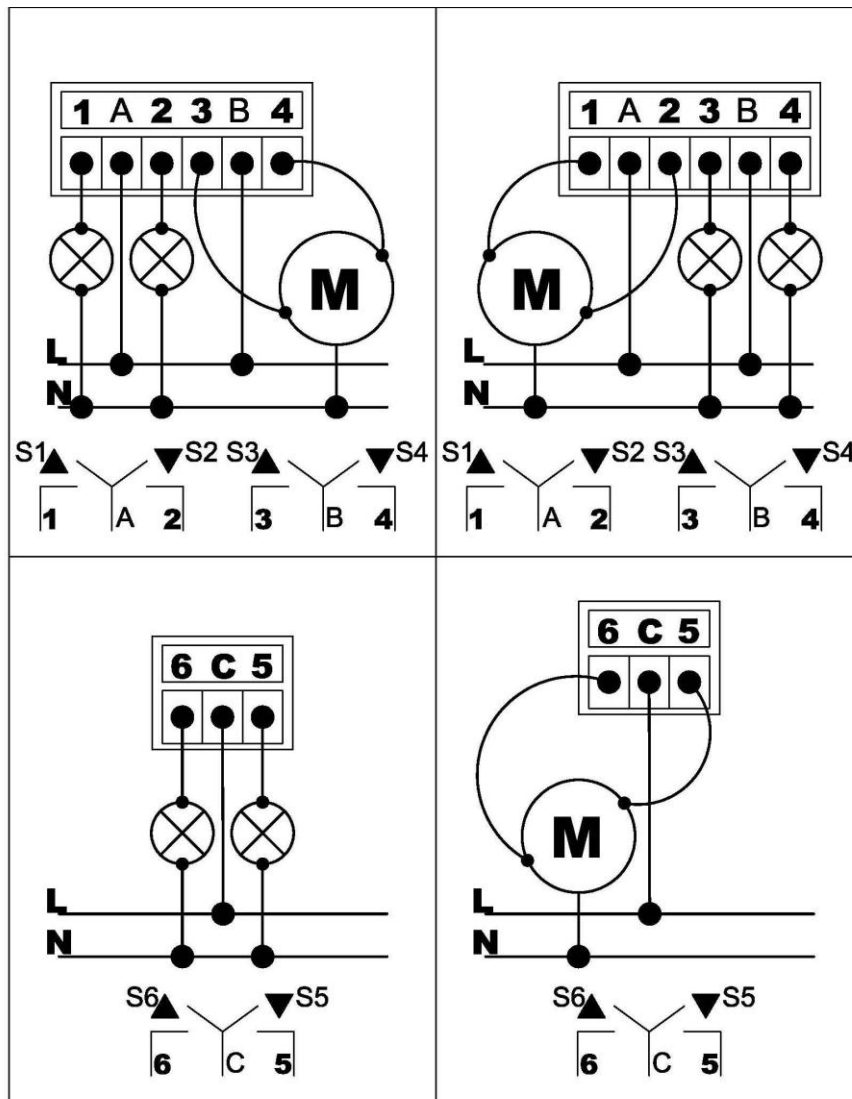
- | | | | |
|------------|-----------------------|--------|------------|
| 1. Outputs | 2. Programming button | 3. LED | 4. KNX bus |
|------------|-----------------------|--------|------------|

GENERAL SPECIFICATIONS

CONCEPT		DESCRIPTION
Type of device		Electric operation control device.
KNX Bus supply	Operation voltage	29V DC
	Voltage margin	21 to 31VDC
	Power consumption	Max 200mW
	Bus connection	Typical TP1 (red-grey) KNX bus connector.
Mains supply		No
Ambient temperature		0°C to +55°C
Storage / transport temperature		-20°C to +70°C
Ambient humidity (relative)		30 to 85% RH (no condensation)
Storage humidity (relative)		30 to 85% RH (no condensation)
Complementary characteristics		Class B
Safety class:		II
Operation type		Continuous operation
Device action type		Type 1
Electrical solicitations period		Long
Protection class:		IP20, clean environment
Fitting method		Snap onto DIN rail (2 units width) or install in electrical box
Minimum clearances		---
Response to bus voltage failure		Data saving and outputs changes as programmed
Response in case of restarting		Data recovery and outputs changes as programmed.
Operation indication		Programming led lighting when pushing programming bottom.
Weight / Dimensions (W x H x T)		170 g. / 35x90x60mm
PCB CTi index		175 V
Enclosure		PC+ABS FR V0 halogen free

OUTPUT SPECIFICATIONS		
Contact type	Potential-free make contact. NOT VALID FOR C-LOAD	
Type of disconnection	Micro-disconnection	
Rated current by output	10A 250V AC (2500 VA), 10A 30V DC (300W)	
Rated current by channel	15A 250V AC (3750 VA), 15A 30V DC (450W)	
Outputs per common (channel)	2 outputs per common (/per channel)	
Switching of different phases	Phase 1 for channels A & B and phase 2 for channel C	
Connection method	Screw terminal block	
Cable section	0,25 mm ² to 2,5 mm ²	
Type of cable	Flexible cable using crimping terminals or rigid cable.	
Number of automatic cycles (A) per automatic action	Mechanical (Min)	10 million operations (at 300cpm)
	Electrical (min.)	100.000 cycles at Max. current (at 20cpm and resistive load)

DIAGRAMS AND CONNECTIONS



SAFETY INSTRUCTIONS



- Make sure during the installation that there is always sufficient insulation between the mains voltage and the bus or the extension inputs. Connecting an external voltage endangers the electrical safety of the entire KNX system.
- Flexible cable with crimping terminals or rigid cable without terminals must be used for output connection.
- Switching of two different phases is only permitted if phase 1 is connected to channels A and B, and phase 2 is connected to channel C
- Caution! Once the device is installed, it shouldn't be accessible.