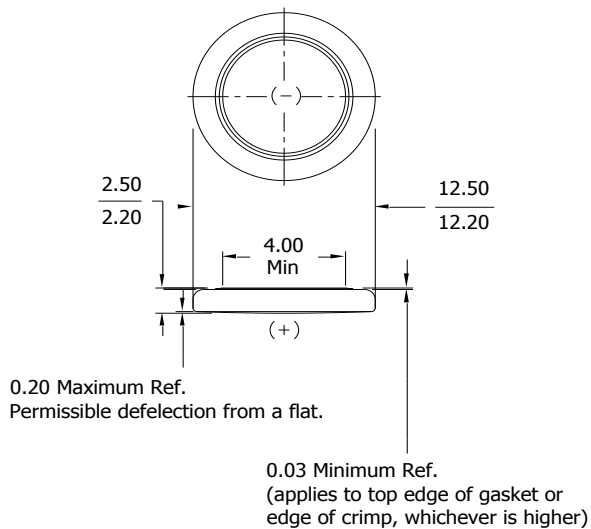


ENERGIZER NO. BR1225

**LITHIUM COIN**



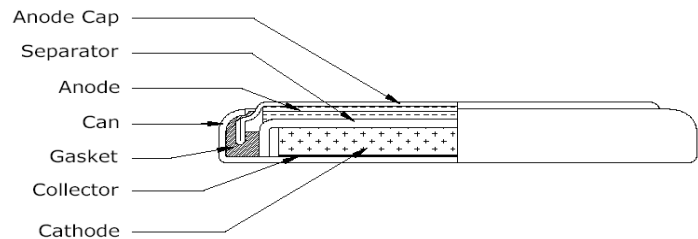
**Industry Standard Dimensions**  
(mm)



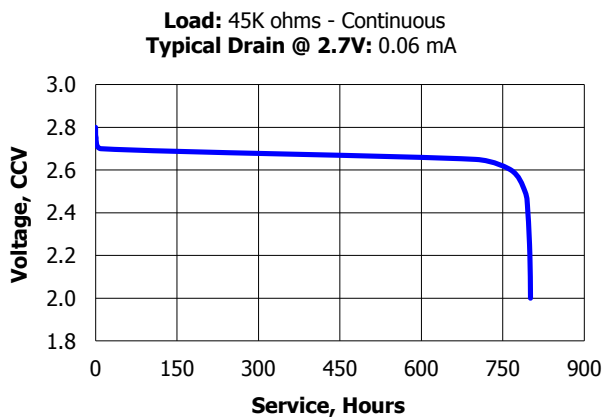
**Specifications**

**Classification:** "Lithium Coin"  
**Chemical System:** Lithium / Poly-Carbon Monofluoride (Li/CFx)  
**Designation:** IEC-BR1225  
**Nominal Voltage:** 3.0 Volts  
**Typical Capacity:** 48 mAh (to 2.0 volts)  
 (Rated at 45K ohms at 21°C)  
 0.8 grams  
**Typical Weight:** 0.3 cubic centimeters  
**Typical Volume:** 1 microampere  
**Max Rev Charge:** 174 milliwatt hr/g, 432 milliwatt hr/cc  
**Energy Density:**

**Cross Section**



**Typical Discharge Characteristics**



**Simulated Application test**

Typical Performance at 21°C (70°F)

Schedule:	Typical Drains: at 2.7V (mA)	Load (ohms)	Cutoff 2.0V (hours)
Continuous	0.06	45,000	800

**Important Notice**

This datasheet contains typical information specific to products manufactured at the time of its publication.  
 ©Energizer Holdings, Inc. - Contents herein do not constitute a warranty.