

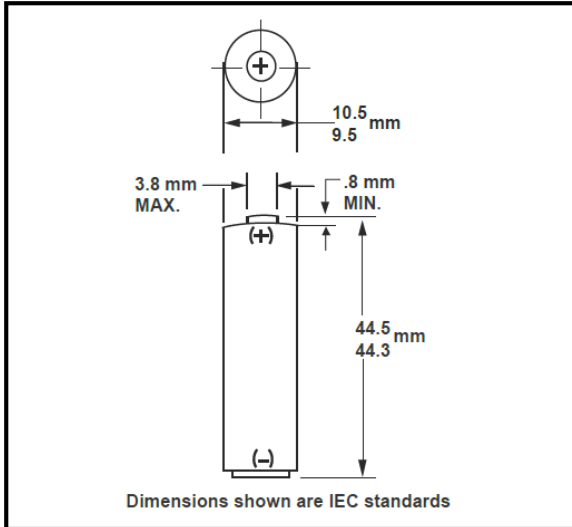
# DURACELL®



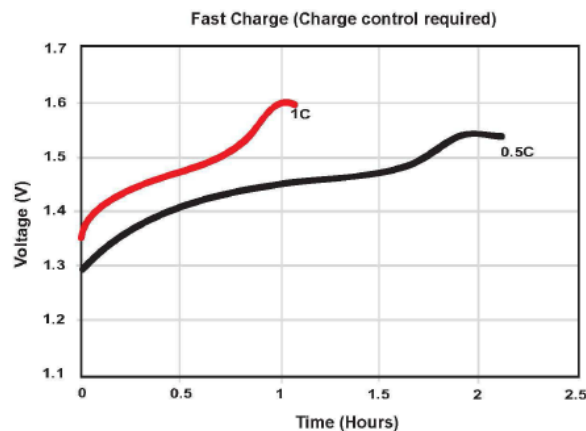
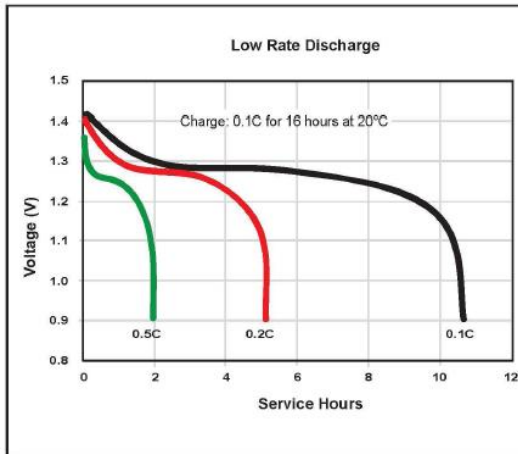
**DC2400L**

**750mAh AAA**

**Duracell Rechargeable**



Specifications	
<b>Classification:</b>	Cylindrical Rechargeable
<b>Chemical System:</b>	Nickel Metal Hydride (NiMH)
<b>Designation:</b>	ANSI - 1.2H1, IEC - HR3
<b>Nominal Voltage:</b>	1.2V
<b>Operating Voltage:</b>	1.0V - 1.35V
<b>Operating Temperature:</b>	-10°C to 50°C (14°F to 122°F)
<b>Storage Temperature:</b>	5°C to 30°C
<b>Typical Weight:</b>	12.8g
<b>Typical Volume:</b>	3.5 cm <sup>3</sup> (0.214 in <sup>3</sup> )
<b>Typical Impedance:</b>	30 mΩ @ 1kHz
<b>Rated Capacity:</b>	750mAh
<b>Safety Features:</b>	Pressure release resettable vent



Information and contents in this data sheet are for reference purposes only. They do not constitute any warranty and representation is subject to change without notice. For most current information and further details, please contact Duracell.