

T-stuk 90° met rubberen dichting

Artikelcode beschrijving				
99	T	D	080	080
ventilatie	T-stuk 90°	met dichting	Ø huis	Ø T-stuk



Ø	Verpakking	Art.nummer	€ / st
080/080/080		99.TD080.080	€ 12,18
100/100/100		99.TD100.100	€ 12,18
125/125/125		99.TD125.125	€ 12,87
150/150/150		99.TD150.150	€ 16,33
160/160/160		99.TD160.160	€ 16,77
180/180/180		99.TD180.180	€ 24,56
200/200/200		99.TD200.200	€ 21,67
250/250/250		99.TD250.250	€ 27,82
100/080/100		99.TD100.080	€ 12,18
125/080/125		99.TD125.080	€ 12,87
125/100/125		99.TD125.100	€ 12,87
150/100/150		99.TD150.100	€ 15,61
150/125/150		99.TD150.125	€ 15,61
160/080/160		99.TD160.080	€ 16,33
160/100/160		99.TD160.100	€ 16,33
160/125/160		99.TD160.125	€ 16,33
180/125/180		99.TD180.125	€ 19,88
180/150/180		99.TD180.150	€ 23,88
180/160/180		99.TD180.160	€ 23,33
200/080/200		99.TD200.080	€ 18,21
200/100/200		99.TD200.100	€ 18,21
200/125/200		99.TD200.125	€ 18,21
200/150/200		99.TD200.150	€ 21,67
200/160/200		99.TD200.160	€ 21,67
250/100/250		99.TD250.100	€ 22,86
250/125/250		99.TD250.125	€ 22,86
250/160/250		99.TD250.160	€ 24,83
250/200/250		99.TD250.200	€ 27,36

Rechthoekige kanalen

galva
RVS
aluminium

Prijs op aanvraag.



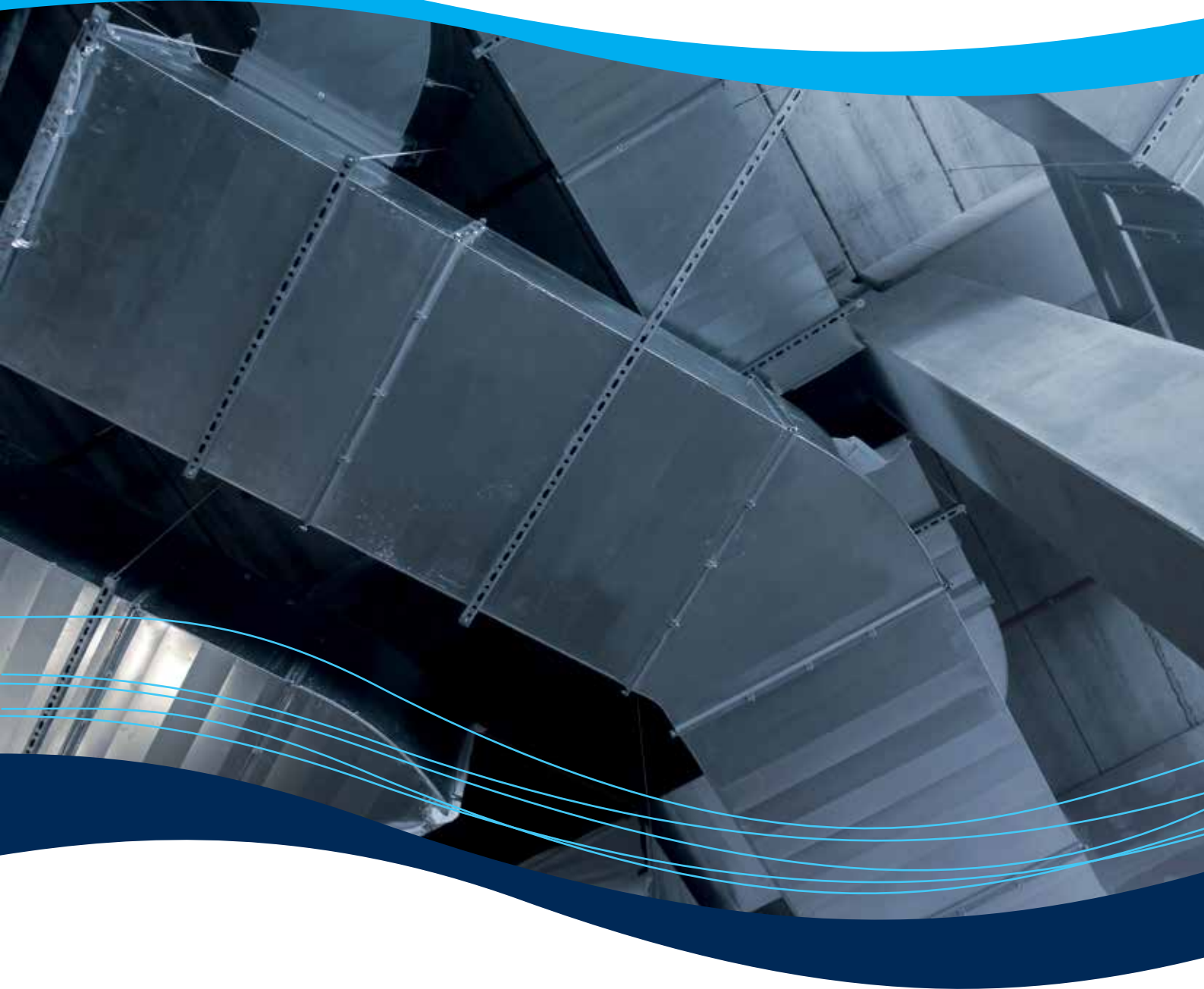
Ronde brandwerende vlinderkleppen

Artikelcode beschrijving		
99	BK	100
ventilatie	brandklep	Ø

Ø	Verpakking	Art.nummer	€ / st
100		99.BK100	€ 40,01
125		99.BK125	€ 42,42
160		99.BK160	€ 57,14
200		99.BK200	€ 75,32

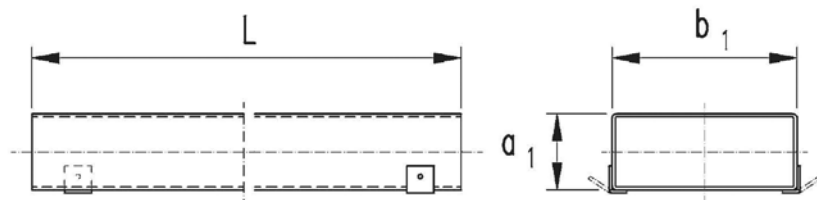


Standaard zijn de vlinderkleppen uitgerust met een eenvoudig smeltloodmechanisme.



Supersnel Mecanosysteem voor chape

Platte kanalen Supersnel Mecanosysteem voor chape

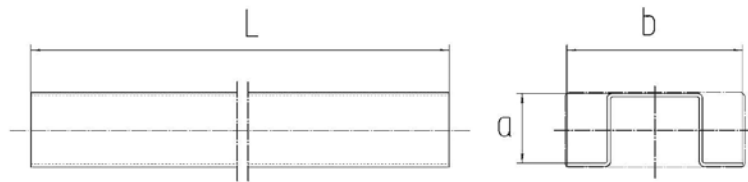


Ø	L	Art.nummer	€ / st
a ₁ / b ₁	mm		
40 / 100	1000	99.465489	€ 16,13
	1500		€ 20,70
	2000	99.465494	€ 26,10
	3000		€ 36,38
40 / 150	1000	99.465491	€ 18,67
	1500		€ 24,75
	2000	99.465496	€ 31,58
	3000		€ 44,78
40 / 200	1000	99.465492	€ 20,40
	1500		€ 27,83
	2000	99.465497	€ 38,03
	3000		€ 52,88
40 / 250	1000	99.465493	€ 26,47
	1500		€ 36,60
	2000	99.465498	€ 49,65
	3000		€ 70,13
50 / 100	1000	99.412293	€ 16,13
	1500	99.429861	€ 20,70
	2000	99.427613	€ 26,10
	3000	99.427614	€ 36,38
50 / 150	1000	99.412328	€ 18,67
	1500	99.429863	€ 24,75
	2000	99.427610	€ 31,58
	3000	99.427611	€ 44,78
50 / 200	1000	99.412329	€ 20,40
	1500	99.431155	€ 27,83
	2000	99.431153	€ 38,03
	3000	99.431152	€ 52,88

Ø	L	Art.nummer	€ / st
a ₁ / b ₁	mm		
55 / 110	1000	99.364548	€ 16,88
	1200	99.396873	€ 20,92
	1500	99.410842	€ 21,75
	2000	99.410838	€ 27,45
	3000	99.410835	€ 38,55
55 / 220	1000	99.364487	€ 23,02
	1200	99.372486	€ 29,33
	1500	99.410840	€ 30,83
	2000	99.410837	€ 42,00
70 / 170	1000	99.364549	€ 20,40
	1200	99.396874	€ 27,38
	1500	99.410839	€ 27,83
	2000	99.410836	€ 38,03
80 / 100	1000	99.396875	€ 18,00
	1500	99.396876	€ 22,65
	2000	99.396877	€ 29,92
	3000	99.410832	€ 42,53
80 / 150	1000	99.396878	€ 19,58
	1500	99.396879	€ 26,03
	2000	99.396880	€ 35,33
	3000	99.410831	€ 50,78
80 / 200	1000	99.393300	€ 23,02
	1500	99.393301	€ 30,83
	2000	99.393302	€ 42,00
	3000	99.409499	€ 59,47

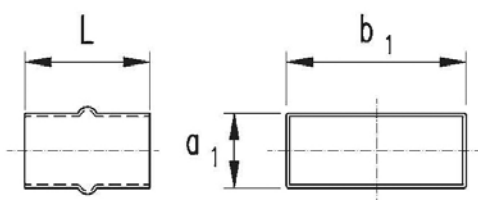
 op voorraad

Kanaalversterking



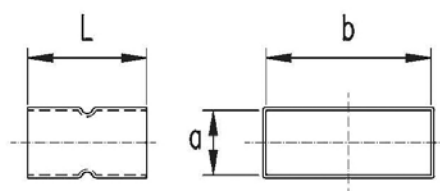
Ø			L	Art.nummer	€ / st
(a/b)	a (ext.)	b (ext.)	mm		
40 / 100	38,0 ^{-0,5}	98,0 ^{-0,5}	1000	99.921978	€ 10,88
40 / 150	38,0 ^{-0,5}	148,0 ^{-0,5}	1000	99.466443	€ 12,60
40 / 200	38,0 ^{-0,5}	198,0 ^{-0,5}	1000	99.466444	€ 14,40
40 / 250	38,0 ^{-0,5}	248,0 ^{-0,5}	1000	99.466445	€ 16,13
50 / 100	48,0 ^{-0,5}	98,0 ^{-0,5}	1000		€ 11,55
50 / 150	48,0 ^{-0,5}	148,0 ^{-0,5}	1000	99.463776	€ 13,35
50 / 200	48,0 ^{-0,5}	198,0 ^{-0,5}	1000	99.415495	€ 15,08
55 / 110	53,0 ^{-0,5}	108,0 ^{-0,5}	1000		€ 12,30
55 / 220	53,0 ^{-0,5}	218,0 ^{-0,5}	1000	99.415492	€ 16,13
70 / 170	68,0 ^{-0,5}	168,0 ^{-0,5}	1000	99.415493	€ 15,45
80 / 100	78,0 ^{-0,5}	98,0 ^{-0,5}	1000		€ 13,65
80 / 150	78,0 ^{-0,5}	148,0 ^{-0,5}	1000		€ 15,45
80 / 200	78,0 ^{-0,5}	198,0 ^{-0,5}	1000	99.415494	€ 17,17

Koppeling voor mof



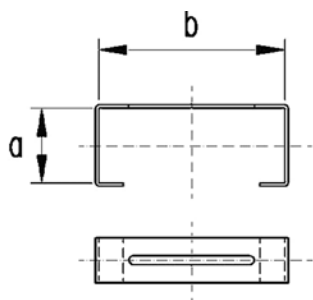
Ø	L	Art.nummer	€ / st
a / b	mm		
40 / 100	80	99.466446	€ 4,13
40 / 150	80	99.466447	€ 4,43
40 / 200	80	99.466448	€ 4,80
40 / 250	80	99.466449	€ 5,48
50 / 100	80	99.422900	€ 4,13
50 / 150	80	99.422901	€ 4,43
50 / 200	80	99.422902	€ 4,80
55 / 110	80	99.364574	€ 4,13
55 / 220	80	99.364495	€ 5,18
70 / 170	80	99.364575	€ 4,80
80 / 100	80	99.396886	€ 4,43
80 / 150	80	99.396887	€ 4,80
80 / 200	80	99.396888	€ 5,18

Koppeling voor kanaal



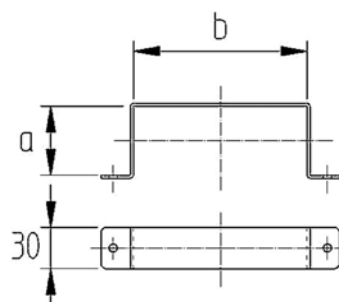
Ø	L	Art.nummer	€ / st
a / b	mm		
40 / 100	180	99.465485	€ 5,10
40 / 150	180	99.465486	€ 5,48
40 / 200	180	99.465487	€ 6,08
40 / 250	180	99.465488	€ 6,83
50 / 100	180	99.412294	€ 5,10
50 / 150	180	99.412331	€ 5,48
50 / 200	180	99.412332	€ 6,08
55 / 110	180	99.364572	€ 5,10
55 / 220	180	99.364494	€ 6,45
70 / 170	180	99.364573	€ 6,08
80 / 100	180	99.396884	€ 5,48
80 / 150	180	99.396885	€ 6,08
80 / 200	180	99.393313	€ 6,45

Bevestigingsbeugel



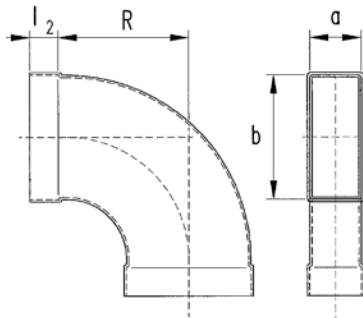
Ø	Art.nummer	€ / st
a / b		
40 / 100	99.466450	€ 5,48
40 / 150	99.466451	€ 5,63
40 / 200	99.466452	€ 5,78
40 / 250	99.466453	€ 6,00
50 / 100	99.422893	€ 5,48
50 / 150	99.422894	€ 5,63
50 / 200	99.422895	€ 5,78
55 / 110	99.366736	€ 5,48
55 / 220	99.366737	€ 5,93
70 / 170	99.366738	€ 5,78
80 / 100	99.396881	€ 5,63
80 / 150	99.396882	€ 5,78
80 / 200	99.396883	€ 5,93

Bevestigingsbeugel

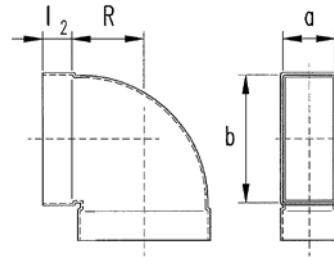


Ø	Art.nummer	€ / st
a / b		
40 / 100		€ 5,48
40 / 150		€ 5,63
40 / 200		€ 5,78
40 / 250		€ 6,00
50 / 100	99.422899	€ 5,48
50 / 150	99.422898	€ 5,63
50 / 200	99.422896	€ 5,78
55 / 110		€ 5,48
55 / 220	99.447921	€ 5,93
70 / 170		€ 5,78
80 / 100		€ 5,63
80 / 150		€ 5,78
80 / 200		€ 5,93

Bocht lang horizontaal 90°



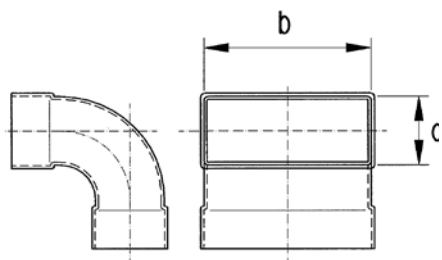
Bocht kort horizontaal 90°



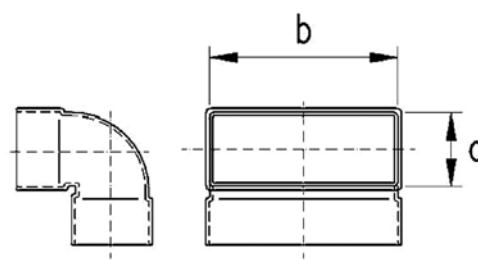
Ø	R	Art.nummer	€ / st
a / b	mm		
40 / 100	150	99.465477	€ 18,15
40 / 150	175	99.465478	€ 19,58
40 / 200	200	99.465479	€ 22,65
40 / 250	225	99.465480	€ 26,17
50 / 100	150	99.412297	€ 18,15
50 / 150	165	99.412334	€ 19,58
50 / 200	200	99.412335	€ 22,65
55 / 110	155	99.364552	€ 18,15
55 / 220	210	99.364553	€ 23,63
70 / 170	185	99.364554	€ 22,65
80 / 100	150	99.396889	€ 19,58
80 / 150	175	99.396890	€ 22,65
80 / 200	200	99.393247	€ 23,63

Ø	R	Art.nummer	€ / st
a / b	mm		
40 / 100	60	99.466454	€ 14,70
40 / 150	85	99.466455	€ 16,28
40 / 200	110	99.466456	€ 17,85
40 / 250	135	99.466457	€ 20,70
50 / 100	60	99.422877	€ 14,70
50 / 150	85	99.422878	€ 16,28
50 / 200	110	99.422879	€ 17,85
55 / 110	65	99.364550	€ 14,70
55 / 220	120	99.364488	€ 19,05
70 / 170	95	99.364551	€ 17,85
80 / 100	60	99.396891	€ 16,28
80 / 150	85	99.396892	€ 17,85
80 / 200	110	99.393288	€ 19,05

Bocht lang verticaal 90°



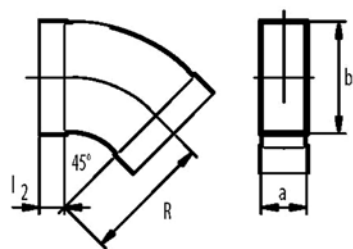
Bocht kort verticaal 90°



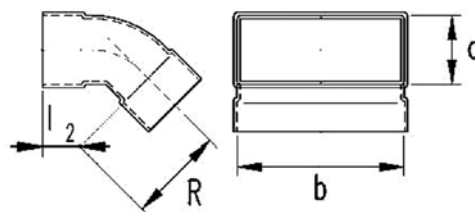
Ø	R	Art.nummer	€ / st
a / b	mm		
40 / 100	55	99.466458	€ 15,15
40 / 150	55	99.466459	€ 15,98
40 / 200	55	99.466460	€ 16,80
40 / 250	55	99.466461	€ 17,70
50 / 100	65	99.422888	€ 15,15
50 / 150	65	99.422890	€ 15,98
50 / 200	65	99.422891	€ 16,80
55 / 110	73	99.364557	€ 15,15
55 / 220	73	99.364558	€ 17,63
70 / 170	85	99.364559	€ 16,80
80 / 100	100	99.396893	€ 15,98
80 / 150	100	99.396894	€ 16,80
80 / 200	100	99.396895	€ 17,63

Ø	R	Art.nummer	€ / st
a / b	mm		
40 / 100	20	99.465481	€ 13,95
40 / 150	20	99.465482	€ 14,40
40 / 200	20	99.465483	€ 15,38
40 / 250	20	99.465484	€ 16,35
50 / 100	25	99.412295	€ 13,95
50 / 150	25	99.412333	€ 14,40
50 / 200	25	99.413572	€ 15,38
55 / 110	23	99.364555	€ 13,95
55 / 220	23	99.364490	€ 15,60
70 / 170	35	99.364556	€ 15,60
80 / 100	50	99.396896	€ 14,40
80 / 150	50	99.396903	€ 15,38
80 / 200	50	99.393289	€ 15,60

Bocht 45° horizontaal



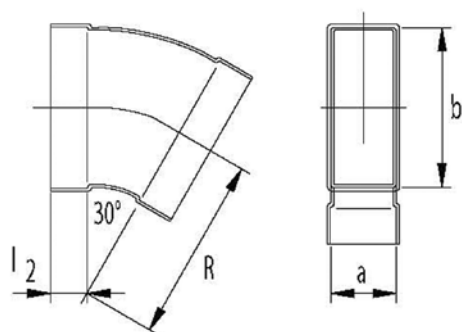
Bocht 45° verticaal



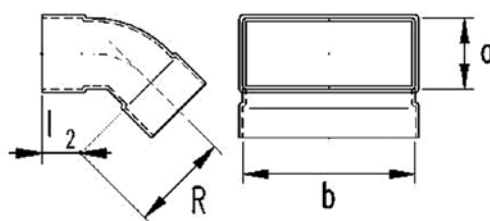
∅	R	L ₁	Art.nummer	€ / st
a / b	mm	mm		
40 / 100	100	150	99.466462	€ 14,48
40 / 150	150	180	99.466463	€ 15,68
40 / 200	200	200	99.466464	€ 17,85
40 / 250	250	230	99.466465	€ 19,80
50 / 100	110	130	99.412298	€ 14,48
50 / 150	150	155	99.413581	€ 15,68
50 / 200	200	180	99.413582	€ 17,85
55 / 110	120	135	99.364560	€ 14,48
55 / 220	230	200	99.364489	€ 18,90
70 / 170	180	170	99.364561	€ 17,85
80 / 100	100	125	99.396904	€ 15,68
80 / 150	150	150	99.396905	€ 17,85
80 / 200	200	180	99.393250	€ 18,90

∅	R	L ₁	Art.nummer	€ / st
a / b	mm	mm		
40 / 100	40	110	99.466467	€ 13,95
40 / 150	40	110	99.466468	€ 14,40
40 / 200	40	110	99.466469	€ 15,38
40 / 250	40	110	99.466470	€ 16,35
50 / 100	50	90	99.412296	€ 13,95
50 / 150	50	90	99.415243	€ 14,40
50 / 200	50	90	99.415245	€ 15,38
55 / 110	55	95	99.364562	€ 13,95
55 / 220	55	95	99.364563	€ 15,60
70 / 170	70	105	99.364564	€ 15,60
80 / 100	80	110	99.396906	€ 14,40
80 / 150	80	110	99.396907	€ 15,38
80 / 200	80	110	99.396908	€ 15,60

Bocht 30° horizontaal



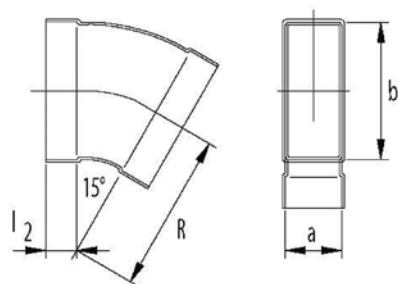
Bocht 30° verticaal



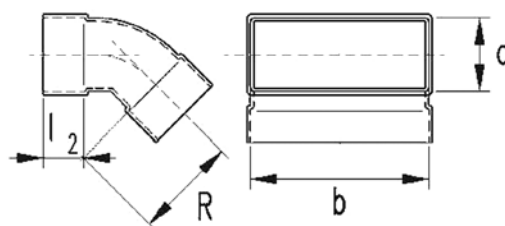
Ø	R	L ₁	Art.nummer	€ / st
a / b	mm	mm		
40 / 100				€ 14,48
40 / 150				€ 15,68
40 / 200				€ 17,85
40 / 250				€ 19,80
50 / 100			99.422880	€ 14,48
50 / 150			99.422881	€ 15,68
50 / 200			99.422882	€ 17,85
55 / 110				€ 14,48
55 / 220			99.922394	€ 18,90
70 / 170				€ 17,85
80 / 100				€ 15,68
80 / 150				€ 17,85
80 / 200				€ 18,90

Ø	R	L ₁	Art.nummer	€ / st
a / b	mm	mm		
40 / 100				€ 13,95
40 / 150				€ 14,40
40 / 200				€ 15,38
40 / 250				€ 16,35
50 / 100			99.412299	€ 13,95
50 / 150				€ 14,40
50 / 200				€ 15,38
55 / 110				€ 13,95
55 / 220				€ 15,60
70 / 170				€ 15,60
80 / 100				€ 14,40
80 / 150				€ 15,38
80 / 200				€ 15,60

Bocht 15° horizontaal



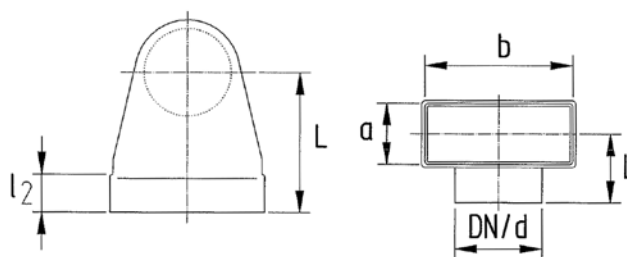
Bocht 15° verticaal



Ø	R	L ₁	Art.nummer	€ / st
a / b	mm	mm		
40 / 100			99.466637	€ 14,48
40 / 150			99.466638	€ 15,68
40 / 200			99.466639	€ 17,85
40 / 250			99.466640	€ 19,80
50 / 100			99.422885	€ 14,48
50 / 150			99.422884	€ 15,68
50 / 200			99.422883	€ 17,85
55 / 110				€ 14,48
55 / 220			99.922391	€ 18,90
70 / 170				€ 17,85
80 / 100				€ 15,68
80 / 150				€ 17,85
80 / 200				€ 18,90

Ø	R	L ₁	Art.nummer	€ / st
a / b	mm	mm		
40 / 100			99.466632	€ 13,95
40 / 150			99.466633	€ 14,40
40 / 200			99.466634	€ 15,38
40 / 250			99.466635	€ 16,35
50 / 100			99.412300	€ 13,95
50 / 150			99.923986	€ 14,40
50 / 200				€ 15,38
55 / 110			99.456068	€ 13,95
55 / 220				€ 15,60
70 / 170				€ 15,60
80 / 100				€ 14,40
80 / 150				€ 15,38
80 / 200				€ 15,60

Bocht 90° rechthoekig / rond symmetrisch voor kanaal



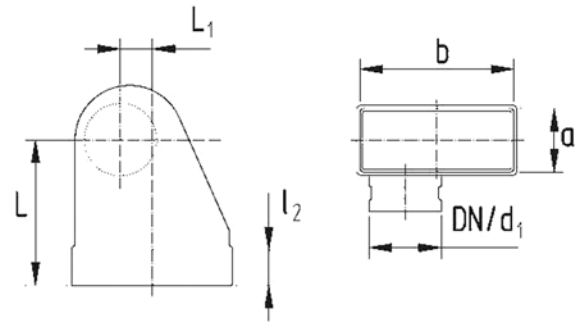
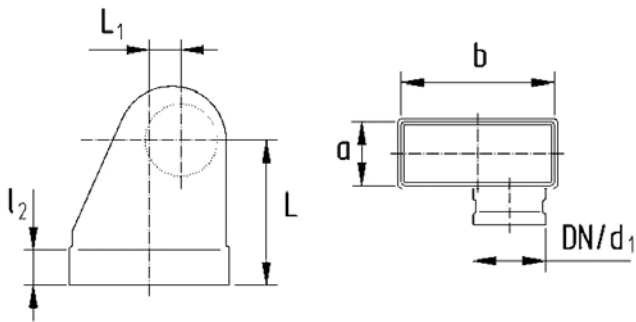
	Ø	L	L ₃	Art.nummer	€ / st		Ø	L	L ₃	Art.nummer	€ / st
a / b	mm					a / b	mm				
40 / 100	80	200	60	99.465468	€ 20,33	55 / 220	80	223	65	99.396920	€ 23,55
	100	200	60	99.465469	€ 20,48		100	213	65	99.368088	€ 23,55
40 / 150	100	215	60	99.465470	€ 21,83		125	200	65	99.364492	€ 23,63
40 / 200	100	225	60	99.465471	€ 23,33	70 / 170	80	223	70	99.396921	€ 23,33
	125	215	60	99.465472	€ 23,48		100	213	70	99.368089	€ 23,33
40 / 250	100	225	60	99.465476	€ 24,30		125	200	70	99.364566	€ 23,48
	125	125	60	99.465473	€ 25,20	80 / 100	80	200	75	99.396922	€ 21,83
50 / 100	80	200	60	99.422872	€ 20,33		100	200	75	99.396923	€ 21,83
	100	200	60	99.412337	€ 20,48	80 / 150	80	223	75	99.396924	€ 23,33
50 / 150	100	213	60	99.414247	€ 21,83		100	213	75	99.396925	€ 23,33
	125	200	60	99.412338	€ 21,98		125	200	75	99.396926	€ 23,48
50 / 200	100	225	60	99.414249	€ 23,33	80 / 200	80	235	75	99.396927	€ 23,55
	125	215	60	99.412339	€ 23,48		100	225	75	99.396928	€ 23,55
	150	200	60	99.422874	€ 23,63		125	215	75	99.396929	€ 23,63
	160	200	60	99.422875	€ 23,77		150	200	75	99.393294	€ 23,63
55 / 110	80	200	65	99.396919	€ 20,33						
	100	200	65	99.364565	€ 20,48						

■ op voorraad

Bocht 90° / rond symmetrisch voor kanaal

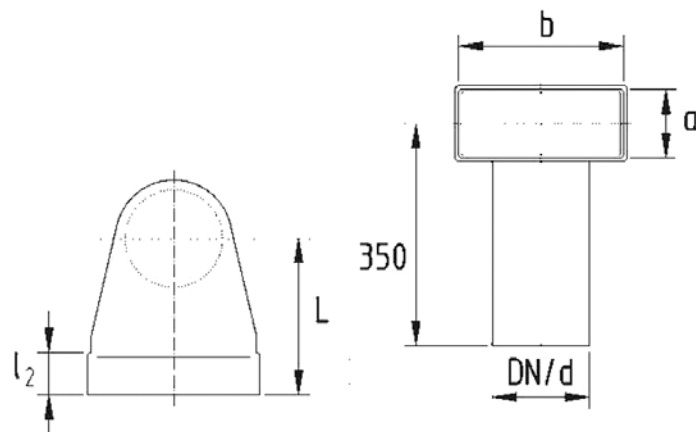
Rechts rechthoekig

Links rechthoekig



	DN	L	L ₁	Art.nummer	€ / st		DN	L	L ₁	Art.nummer	€ / st
a / b	mm					a / b	mm				
40 / 100	80				€ 20,33	40 / 100	80			99.466642	€ 20,33
	100				€ 20,48		100			99.466643	€ 20,48
40 / 150	100				€ 21,83	40 / 150	100			99.466645	€ 21,83
40 / 200	100				€ 23,33	40 / 200	100			99.466646	€ 23,33
	125				€ 23,48		125			99.466647	€ 23,48
40 / 250	100				€ 24,30	40 / 250	100			99.466648	€ 24,30
	125				€ 25,20		125			99.466649	€ 25,20
50 / 150	80	200	25		€ 21,83	50 / 150	80	200	25		€ 21,83
50 / 200	80	200	50		€ 23,33	50 / 200	80	200	50		€ 23,33
	100	200	40		€ 23,33		100	200	40		€ 23,33
	125	200	27		€ 23,48		125	200	27		€ 23,48
55 / 220	80	200	60	99.396931	€ 23,55	55 / 220	80	200	60	99.396943	€ 23,55
	100	200	50	99.367544	€ 23,55		100	200	50	99.367545	€ 23,55
	125	200	37	99.368087	€ 23,63		125	200	37	99.364493	€ 23,63
70 / 170	80	200	35	99.396932	€ 23,33	70 / 170	80	200	35	99.396944	€ 23,33
	100	200	25	99.367549	€ 23,33		100	200	25	99.367547	€ 23,33
80 / 150	80	200	25	99.396935	€ 23,33	80 / 150	80	200	25	99.396947	€ 23,33
	100	200	15	99.396936	€ 23,33		100	200	15	99.396948	€ 23,33
80 / 200	80	200	50	99.396938	€ 23,55	80 / 200	80	200	50	99.396950	€ 23,55
	100	200	40	99.396939	€ 23,55		100	200	40	99.396951	€ 23,55
	125	200	27	99.396940	€ 23,63		125	200	27	99.396952	€ 23,63

Verlengde bocht 90° van rechthoekig naar rond

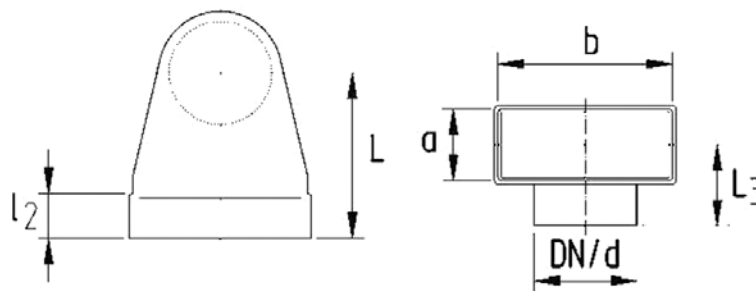


	Ø	L	Art.nummer	€ / st
a / b	mm			
40 / 100	80	200	99.466493	€ 23,85
	100	200	99.466494	€ 24,08
40 / 150	100	215	99.466495	€ 25,35
	125	215	99.467315	€ 25,35
40 / 200	100	225	99.466496	€ 26,85
	125	215	99.466497	€ 27,00
40 / 250	100	225	99.466498	€ 27,83
	125	215	99.466500	€ 28,80
50 / 100	80	200	99.425880	€ 23,85
	100	200	99.425883	€ 24,08
50 / 150	100	213	99.425885	€ 25,35
	125	200	99.415292	€ 25,50
50 / 200	100	225	99.415286	€ 26,85
	125	215	99.425886	€ 26,85
	150	200	99.415291	€ 27,23
	160	200	99.425887	€ 27,38

	Ø	L	Art.nummer	€ / st
a / b	mm			
55 / 110	80	200	99.425888	€ 23,85
	100	200	99.413428	€ 24,08
	125	215	99.415496	€ 24,08
55 / 220	80	223	99.425889	€ 27,08
	100	213	99.413438	€ 27,08
	125	200	99.413441	€ 27,22
70 / 170	80	223		€ 26,85
	100	213		€ 26,85
	125	200		€ 27,00
80 / 100	80	200		€ 25,35
	100	200		€ 25,35
80 / 150	80	223		€ 26,85
	100	213		€ 26,85
	125	200		€ 27,00
80 / 200	80	235		€ 27,08
	100	225		€ 27,08
	125	215		€ 27,23
	150	200		€ 27,23

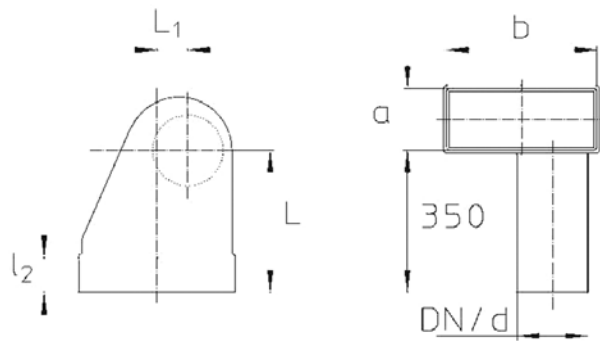
■ op voorraad

Korte bocht 90° van rechthoekig naar rond



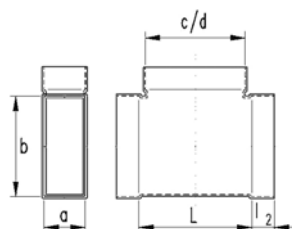
	∅	L	L ₃	Art.nummer	€ / st		∅	L	L ₃	Art.nummer	€ / st
a / b	mm					a / b	mm				
40 / 100	80	200	60	99.466756	€ 20,33	55 / 110	80	200	65		€ 20,33
	100	200	60	99.466757	€ 20,48		100	200	65	99.432337	€ 20,48
40 / 150	100	215	60	99.466758	€ 21,83	55 / 220	80	223	65		€ 23,55
40 / 200	100	225	60	99.466759	€ 23,33		100	213	65		€ 23,55
	125	215	60	99.466760	€ 23,48		125	200	65	99.462272	€ 23,63
40 / 250	100	225	60	99.466761	€ 24,30	70 / 170	80	223	70	99.460135	€ 23,33
	125	125	60	99.466762	€ 25,20		100	213	70	99.457841	€ 23,33
50 / 100	80	200	60	99.412538	€ 20,33		125	200	70	99.460134	€ 23,48
	100	200	60	99.412537	€ 20,48	80 / 100	80	200	75		€ 21,83
50 / 150	100	213	60	99.412539	€ 21,83		100	200	75		€ 21,83
	125	200	60	99.412540	€ 21,98	80 / 150	80	223	75		€ 23,33
50 / 200	100	225	60	99.413583	€ 23,33		100	213	75		€ 23,33
	125	215	60	99.412541	€ 23,48		125	200	75		€ 23,48
	150	200	60	99.412542	€ 23,63	80 / 200	80	235	75		€ 23,55
	160	200	60	99.413585	€ 23,77		100	225	75		€ 23,55
							125	215	75		€ 23,63
							150	200	75	99.438478	€ 23,63

Verlengde bocht 90° van rechts rechthoekig naar rond

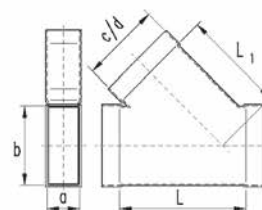


	Ø	L	L ₁	Art.nummer	€ / st
a / b	mm				
40 / 100	80				€ 23,85
	100				€ 24,08
40 / 150	100				€ 25,35
40 / 200	100				€ 26,85
	125				€ 27,00
40 / 250	100				€ 27,83
	125				€ 28,80
50 / 150	80	200	25	99.425903	€ 25,35
50 / 200	80	200	50	99.425904	€ 26,85
	100	200	40	99.425906	€ 26,85
	125	200	27	99.425908	€ 26,85
55 / 220	80	200	60	99.425909	€ 27,08
	100	200	50	99.413431	€ 27,08
	125	200	37	99.413432	€ 27,22
70 / 170	80	200	35		€ 26,85
	100	200	25		€ 26,85
80 / 150	80	200	25		€ 26,85
	100	200	15		€ 26,85
80 / 200	80	200	50		€ 27,08
	100	200	40		€ 27,08
	125	200	27		€ 27,22

T-stuk 90° horizontaal



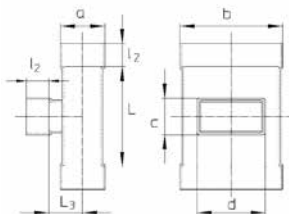
T-stuk 45° horizontaal



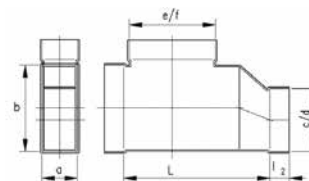
Ø		L	Art.nummer	€ / st
a / b	c / d	mm		
40 / 100	40 / 100	120	99.465448	€ 16,42
40 / 150	40 / 100	120	99.465452	€ 17,10
	40 / 150	170	99.465451	€ 17,85
40 / 200	40 / 100	120	99.465454	€ 17,92
	40 / 150	170	99.465455	€ 19,13
	40 / 200	220	99.465456	€ 20,10
40 / 250	40 / 150	170	99.465457	€ 19,58
	40 / 200	220	99.465458	€ 20,63
	40 / 250	270	99.465459	€ 21,75
50 / 100	50 / 100	120	99.412939	€ 16,42
50 / 150	50 / 100	120	99.412941	€ 17,10
	50 / 150	170	99.412940	€ 17,85
50 / 200	50 / 100	220	99.412943	€ 17,92
	50 / 150	170	99.412942	€ 19,13
	50 / 200	220	99.412336	€ 20,10
55 / 110	55 / 110	130	99.364546	€ 16,58
	55 / 220	240	99.412211	€ 17,85
55 / 220	55 / 110	240	99.412213	€ 18,75
	55 / 220	220	99.364491	€ 19,27
70 / 170	70 / 170	190	99.364547	€ 20,10
80 / 100	80 / 100	120	99.396997	€ 17,10
	80 / 150	170	99.396998	€ 17,85
	80 / 200	220	99.396999	€ 19,42
80 / 150	80 / 100	120	99.397000	€ 17,92
	80 / 150	170	99.397001	€ 19,13
	80 / 200	220	99.397002	€ 20,10
80 / 200	80 / 100	120	99.397003	€ 18,60
	80 / 150	170	99.397004	€ 19,58
	80 / 200	220	99.393246	€ 20,77

Ø		L	L ₁	Art.nummer	€ / st
a / b	c / d	mm	mm		
40 / 100	40 / 100			99.466518	€ 18,75
40 / 150	40 / 100			99.466519	€ 18,83
	40 / 150			99.466520	€ 23,92
40 / 200	40 / 100			99.466521	€ 19,73
	40 / 150			99.466522	€ 22,65
	40 / 200			99.466523	€ 25,50
40 / 250	40 / 150			99.466524	€ 23,92
	40 / 200			99.466525	€ 26,70
	40 / 250			99.466526	€ 27,60
50 / 100	50 / 100	150	130	99.368097	€ 18,75
50 / 150	50 / 100	150	130	99.368099	€ 18,83
	50 / 150	230	200	99.368100	€ 24,00
50 / 200	50 / 100	150	130	99.368101	€ 19,73
	50 / 150	230	200	99.368102	€ 22,65
	50 / 200	300	260	99.425630	€ 23,25
55 / 110	55 / 110	155	135	99.364569	€ 18,75
	55 / 220	310	265	99.368098	€ 25,50
55 / 220	55 / 110	310	135	99.415811	€ 27,00
	55 / 220	310	265	99.364570	€ 23,25
70 / 170	70 / 170	240	205	99.364571	€ 18,83
80 / 100	80 / 100	150	130	99.397005	€ 19,80
	80 / 150	230	200	99.397006	€ 22,50
	80 / 200	300	260	99.397007	€ 20,63
80 / 150	80 / 100	150	130	99.397008	€ 23,40
	80 / 150	230	200	99.397009	€ 26,55
	80 / 200	300	260	99.397010	
80 / 200	80 / 100	150	130	99.397011	
	80 / 150	230	200	99.397012	
	80 / 200	300	260	99.397013	

T-stuk 90° verticaal



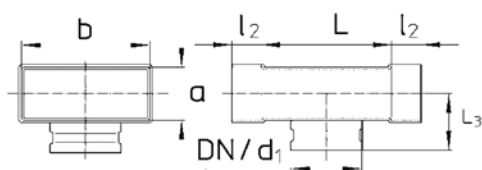
T-stuk 90° horizontaal asymmetrisch



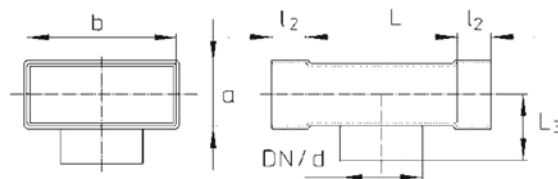
Ø		L	L ₃	Art.nummer	€ / st
a / b	c / d	mm	mm		
40 / 100	40 / 100			99.465637	€ 20,48
40 / 150	40 / 100			99.465638	€ 21,15
	40 / 150			99.465639	€ 21,23
40 / 200	40 / 100			99.465640	€ 21,98
	40 / 150			99.465641	€ 22,05
	40 / 200			99.465642	€ 22,35
40 / 250	40 / 150			99.465643	€ 23,48
	40 / 200			99.465644	€ 23,70
	40 / 250			99.465645	€ 24,00
50 / 100	50 / 100	120	75	99.412947	€ 20,48
50 / 150	50 / 100	120	75	99.425782	€ 21,15
	50 / 150	120	75	99.412950	€ 21,23
50 / 200	50 / 100	120	75	99.425784	€ 21,98
	50 / 150	120	75	99.425785	€ 22,05
	50 / 200	120	75	99.412944	€ 22,35
55 / 110	55 / 110	120	75	99.412945	€ 20,55
55 / 220	55 / 110	120	75	99.412935	€ 22,13
	55 / 220	120	75	99.412212	€ 22,65
70 / 170	55 / 110	120	85	99.415722	€ 21,90
	70 / 170	120	85	99.412946	€ 21,98
	80 / 100	120	85	99.415723	€ 22,05
80 / 100	80 / 100	100	90	99.396996	€ 21,30
80 / 150	55 / 110	120	90	99.415724	€ 21,83
	80 / 100	120	90	99.415725	€ 21,98
	80 / 150	100	90	99.412948	€ 22,05
80 / 200	55 / 110	120	90	99.415728	€ 22,65
	70 / 170	120	90	99.415729	€ 22,80
	80 / 100	120	90	99.415730	€ 22,88
	80 / 150	120	90	99.415731	€ 23,02
	80 / 200	100	90	99.412949	€ 23,10

Ø			L	Art.nummer	€ / st
a / b	c / d	e / f	mm		
40 / 150	40 / 100	40 / 100		99.466559	€ 32,03
	40 / 100	40 / 150		99.466560	€ 32,78
40 / 200	40 / 100	40 / 100		99.466561	€ 33,45
	40 / 100	40 / 150		99.466562	€ 34,72
	40 / 150	40 / 150		99.467317	€ 34,80
	40 / 150	40 / 200		99.466563	€ 35,78
40 / 250	40 / 100	40 / 150		99.466564	€ 36,90
	40 / 150	40 / 200		99.466565	€ 37,72
	40 / 200	40 / 250		99.466566	€ 38,33
50 / 150	50 / 100	50 / 100	250	99.422675	€ 32,03
	50 / 100	50 / 150	300	99.422676	€ 32,70
50 / 200	50 / 100	50 / 100	250	99.422677	€ 33,45
	50 / 150	50 / 100	250	99.456943	€ 33,60
	50 / 150	50 / 150	310	99.422673	€ 34,80
	50 / 150	50 / 200	360	99.420157	€ 35,70
	55 / 220	55 / 110	55 / 110	250	99.368092
80 / 150	55 / 110	55 / 220	370	99.368091	€ 35,17
	80 / 100	80 / 100	250	99.368093	€ 33,15
	80 / 100	80 / 150	300	99.368094	€ 34,35
80 / 200	80 / 100	80 / 200	350	99.368905	€ 35,33
	80 / 100	80 / 100	250	99.368096	€ 34,72
	80 / 150	80 / 150			€ 35,70
	80 / 150	80 / 200			€ 36,90

T-stuk 90° van rechthoekig naar rond



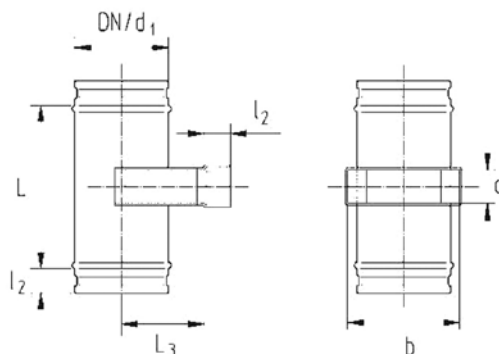
T-stuk 90° van rechthoekig naar rond voor mof



Ø	Ø	L	L ₃	Art.nummer	€ / st
a / b	d ₁	mm	mm		
40 / 100	80			99.466538	€ 18,83
	100			99.466539	€ 18,83
	125				€ 18,90
40 / 150	100			99.466540	€ 19,42
	125			99.916382	€ 19,58
40 / 200	100			99.466541	€ 20,40
	125			99.466542	€ 20,48
	160				€ 20,70
40 / 250	100			99.466543	€ 21,83
	125			99.466544	€ 21,98
	160				€ 22,95
50 / 100	80	250	25	99.412532	€ 18,83
	100	250	25	99.425786	€ 18,83
50 / 150	100	250	25	99.412533	€ 19,42
	125	250	25	99.412534	€ 19,58
50 / 200	100	250	25	99.412535	€ 20,40
	125	250	25	99.412536	€ 20,48
55 / 110	80	250	30	99.436163	€ 18,83
55 / 220	100	250	30	99.436177	€ 21,30
	125	250	30	99.436178	€ 21,45
70 / 170	100	250	35	99.436179	€ 20,40
	125	250	35	99.436180	€ 20,48
80 / 100	80	250	40	99.436181	€ 19,42
80 / 150	100	250	40	99.436182	€ 20,40
	125	250	40	99.436183	€ 20,48
80 / 200	125	250	40	99.436184	€ 21,30
	150	250	40	99.436185	€ 21,45

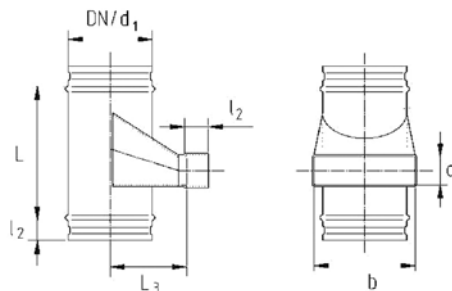
	Ø	L	L ₃	Art.nummer	€ / st
a / b	d	mm	mm		
40 / 100	80			99.465672	€ 18,83
	100			99.465673	€ 18,83
40 / 150	100			99.465671	€ 19,42
40 / 200	100			99.465674	€ 20,40
	125			99.465675	€ 20,48
40 / 250	100			99.465676	€ 21,83
	125			99.465677	€ 21,98
50 / 100	80	250	65	99.412527	€ 18,83
	100	250	65	99.416264	€ 18,83
50 / 150	100	250	65	99.412528	€ 19,42
	125	250	65	99.412529	€ 19,58
50 / 200	100	250	65	99.412530	€ 20,40
	125	250	65	99.412531	€ 20,48
55 / 110	80	250	70	99.423253	€ 18,83
	100	250	70	99.422685	€ 18,83
55 / 220	100	250	70	99.423255	€ 21,30
	125	250	70	99.423254	€ 21,45
	160	250	70	99.422688	€ 21,45
70 / 170	100	250	75	99.422687	€ 20,40
	125	250	75	99.436245	€ 20,48
80 / 100	80	250	80	99.436246	€ 19,42
	100	250	80	99.436247	€ 19,42
80 / 150	100	250	80	99.436248	€ 20,40
	125	250	80	99.436249	€ 20,48
80 / 200	125	250	80	99.436250	€ 21,30
	150	250	80	99.436251	€ 21,45
	160	250	80	99.436252	€ 21,45

T-stuk 90° horizontaal van rond naar rechthoekig



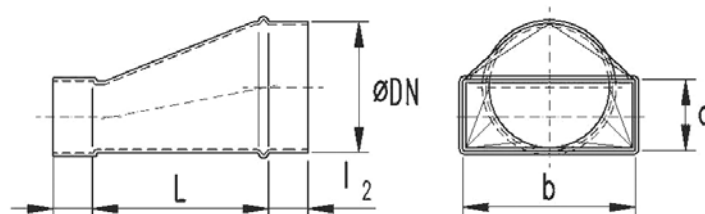
Ø	Ø	L	L ₃	Art.nummer	€ / st	Ø	Ø	L	L ₃	Art.nummer	€ / st	
d ¹	a / b	mm	mm			d ¹	a / b	mm	mm			
80	40 / 100			99.466766	€ 24,38	150	50 / 150	190	125	99.425924	€ 27,53	
	50 / 100	190	100	99.425788	€ 24,38		50 / 200	190	200	99.425926	€ 29,63	
	55 / 110	190	100	99.425916	€ 24,60		55 / 110	190	125	99.413418	€ 26,10	
	80 / 100	190	100	99.425917	€ 24,75		55 / 220	190	200	99.413420	€ 30,15	
100	40 / 100			99.466767	€ 25,05		70 / 170	190	200	99.415737	€ 29,47	
	40 / 150			99.466768	€ 27,15		80 / 100	190	125	99.415738	€ 27,22	
	40 / 200			99.466769	€ 28,13		80 / 150	190	125	99.415739	€ 27,83	
	40 / 250			99.466770	€ 29,33		80 / 200	190	200	99.415740	€ 30,22	
	50 / 100	190	100	99.416262	€ 25,05		160	50 / 150	190	130	99.425931	€ 27,83
	50 / 150	190	200	99.425918	€ 27,15			50 / 200	190	200	99.425932	€ 30,00
	50 / 200	190	200	99.425920	€ 28,13	55 / 110		190	130	99.413423	€ 27,45	
	55 / 110	190	100	99.413416	€ 25,20	55 / 220		190	200	99.413421	€ 30,45	
80 / 100	190	100	99.415732	€ 25,28	70 / 170	190		130	99.415741	€ 28,50		
55 / 220	190	200	99.415491	€ 28,58	80 / 100	190		130	99.415742	€ 27,60		
125	40 / 200			99.466771	€ 28,88	80 / 150		190	130	99.415743	€ 28,42	
	40 / 250			99.466772	€ 29,85	80 / 200		190	200	99.415744	€ 30,53	
	50 / 150	190	200	99.425921	€ 27,97	200	50 / 150	190	150	99.425929	€ 29,47	
	50 / 200	190	200	99.425922	€ 28,88		50 / 200	190	150	99.425930	€ 30,22	
	55 / 110	190	115	99.413417	€ 26,10		55 / 110	190	150	99.415745	€ 28,95	
	55 / 220	190	200	99.413419	€ 29,40		55 / 220	190	200	99.415746	€ 31,58	
	70 / 170	190	200	99.415733	€ 28,72		70 / 170	190	150	99.415747	€ 30,00	
	80 / 100	190	115	99.415734	€ 26,25		80 / 100	190	150	99.415748	€ 29,17	
	80 / 150	190	115	99.415735	€ 26,92		80 / 150	190	150	99.415749	€ 29,92	
	80 / 200	190	200	99.415736	€ 28,88		80 / 200	190	150	99.415750	€ 30,67	

T-stuk 90° horizontaal van rond naar rechthoekig



Ø	Ø	L	L ₃	Art.nummer	€ / st	Ø	Ø	L	L ₃	Art.nummer	€ / st
d ¹	a / b	mm	mm			d ¹	a / b	mm	mm		
80	40 / 100			99.466531	€ 30,67	150	70 / 170	190	200		€ 35,92
	50 / 100	190	100		€ 30,67		80 / 100	190	125		€ 33,60
	55 / 110	190	100		€ 31,05		80 / 150	190	125		€ 34,50
	80 / 100	190	100		€ 31,20		80 / 200	190	200		€ 36,97
100	40 / 100			99.466532	€ 29,92	160	50 / 150	190	130	99.915811	€ 34,05
	40 / 150			99.466533	€ 32,17		50 / 200	190	200		€ 36,15
	40 / 200			99.466534	€ 32,85		55 / 110	190	130		€ 33,22
	40 / 250			99.466535	€ 34,13		55 / 220	190	200		€ 36,45
	50 / 100	190	100		€ 29,92		70 / 170	190	130		€ 34,80
	50 / 150	190	200		€ 32,17		80 / 100	190	130		€ 33,97
	50 / 200	190	200		€ 32,85		80 / 150	190	130		€ 34,80
	55 / 110	190	100		€ 30,53		80 / 200	190	200		€ 37,28
	80 / 100	190	100		€ 30,90	200	50 / 150	190	150		€ 36,45
	55 / 220	190	200		€ 33,22		50 / 200	190	150		€ 37,50
125	40 / 200			99.466536	€ 34,13		55 / 110	190	150		€ 35,70
	40 / 250			99.466537	€ 34,65		55 / 220	190	200		€ 39,00
	50 / 150	190	200	99.454835	€ 33,22		70 / 170	190	150		€ 37,28
	50 / 200	190	200		€ 34,13		80 / 100	190	150		€ 36,38
	55 / 110	190	115	99.451201	€ 31,72	80 / 150	190	150		€ 37,35	
	55 / 220	190	200		€ 34,50	80 / 200	190	150		€ 38,78	
	70 / 170	190	200		€ 34,28						
	80 / 100	190	115		€ 31,95						
80 / 150	190	115		€ 32,92							
150	80 / 200	190	200		€ 36,97						
	50 / 150	190	125		€ 33,30						
	50 / 200	190	200		€ 35,78						
	55 / 110	190	125		€ 32,85						
	55 / 220	190	200		€ 36,15						

Reductie van rechthoekig naar rond asymmetrisch

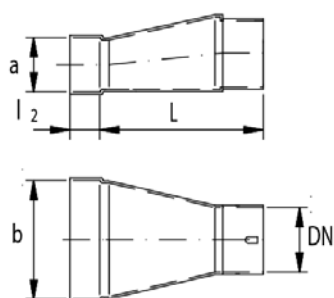


	Ø	L	Art.nummer	€ / st
a / b	mm	mm		
40 / 100	80	100	99.465664	€ 31,72
	100	100	99.465665	€ 31,72
40 / 150	100	100	99.465666	€ 32,17
	100	100	99.465667	€ 32,47
40 / 200	100	100	99.465668	€ 32,47
	125	100	99.465669	€ 35,17
40 / 250	100	100	99.465670	€ 35,17
	125	100	99.465670	€ 35,17
50 / 100	80	100	99.412301	€ 31,72
	100	100	99.412990	€ 31,72
	125	100	99.458300	€ 31,72
50 / 150	80	100	99.425843	€ 32,17
	100	100	99.425845	€ 32,17
	125	100	99.413577	€ 32,17
50 / 200	80	100	99.425846	€ 32,47
	100	100	99.425848	€ 32,47
	125	100	99.413578	€ 32,47

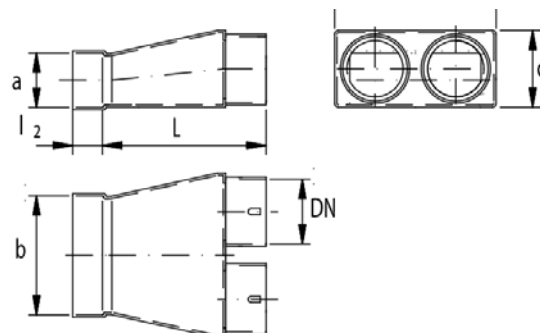
	Ø	L	Art.nummer	€ / st
a / b	mm	mm		
55 / 110	80	100	99.365766	€ 31,72
	100	100	99.365767	€ 31,72
	125	100	99.407435	€ 31,72
55 / 220	80	100	99.396954	€ 34,20
	100	100	99.365764	€ 34,20
	125	100	99.365765	€ 34,20
70 / 170	80	100	99.365768	€ 32,47
	100	100	99.365769	€ 32,47
	125	100	99.365770	€ 32,47
80 / 100	80	100	99.396955	€ 32,17
	100	100	99.396956	€ 32,17
80 / 150	80	100	99.396957	€ 32,47
	100	100	99.396958	€ 32,47
	125	100	99.396959	€ 32,47
80 / 200	80	100	99.396960	€ 34,20
	100	100	99.396961	€ 34,20
	125	100	99.396962	€ 34,20
	150	100	99.396963	€ 34,20

Reductie van rechthoekig naar rond asymmetrisch voor flexibel

enkel



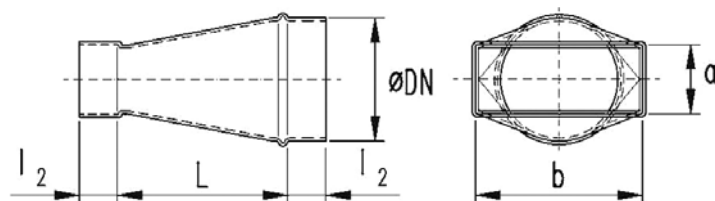
dubbel



	Ø	L	Nr. d'article	€ / pc
a / b	DN	mm		
50 / 100	75	140	99.939044	€ 37,66
	90	140	99.939046	€ 38,87
50 / 150	75	140	99.939045	€ 38,04
	90	140	99.939047	€ 39,32
50 / 200	75	140	99.940948	€ 38,94
	90	140	99.940949	€ 40,37

		Ø	L	Nr. d'article	€ / pc
a / b	c / d	DN	mm		
50 / 100	80 / 180	63	140	99.951682	€ 66,91
		75	140	99.951679	€ 66,39
50 / 150	80 / 180	63	140	99.951965	€ 68,12
		75	140	99.951681	€ 67,51
		90	140	99.951967	€ 70,07
50 / 200	80 / 180	63	140	99.951970	€ 70,15
		75	140	99.951684	€ 69,54
		90	140	99.951970	€ 72,18

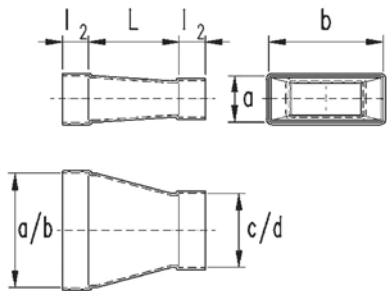
Reductie van rechthoekig naar rond symmetrisch



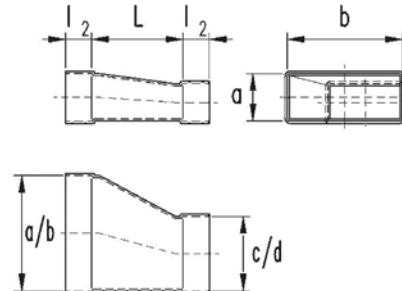
	Ø	L	Art.nummer	€ / st
a / b	mm	mm		
40 / 100	80	100	99.465628	€ 31,72
	100	100	99.465629	€ 31,72
40 / 150	100	100	99.465630	€ 32,17
40 / 200	100	100	99.465631	€ 32,47
	125	100	99.465632	€ 32,47
40 / 250	100	100	99.465635	€ 35,17
	125	100	99.465636	€ 35,17
50 / 100	80	100	99.414063	€ 31,72
	100	100	99.414093	€ 31,72
50 / 150	80	100	99.414064	€ 32,17
	100	100	99.414065	€ 32,17
	125	100	99.414068	€ 32,17
50 / 200	80	100	99.414069	€ 32,47
	100	100	99.414070	€ 32,47
	125	100	99.414075	€ 32,47

	Ø	L	Art.nummer	€ / st
a / b	mm	mm		
55 / 110	80	100	99.366752	€ 31,72
	100	100	99.366753	€ 31,72
55 / 220	80	100	99.396964	€ 34,20
	100	100	99.366754	€ 34,20
	125	100	99.366755	€ 34,20
70 / 170	80	100	99.366756	€ 32,47
	100	100	99.366757	€ 32,47
	125	100	99.366758	€ 32,47
80 / 100	80	100	99.396965	€ 32,17
	100	100	99.396966	€ 32,17
80 / 150	80	100	99.396967	€ 32,47
	100	100	99.396968	€ 32,47
	125	100	99.396969	€ 32,47
80 / 200	80	100	99.396970	€ 34,20
	100	100	99.396971	€ 34,20
	125	100	99.396972	€ 34,20
	150	100	99.393296	€ 34,20

Reductie symmetrisch



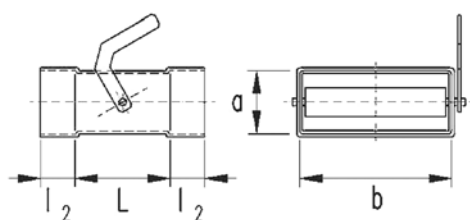
Reductie asymmetrisch



a / b	c / d	L	Art.nummer	€ / st	a / b	c / d	L	Art.nummer	€ / st
40 / 150	40/100	120	99.465656	€ 14,85	40 / 150	40/100	120	99.465647	€ 14,85
40 / 200	40/100	120	99.465658	€ 15,60	40 / 200	40/100	120	99.465649	€ 15,60
	40/150	120	99.465659	€ 15,60		40/150	120	99.465650	€ 15,60
40 / 250	40/150	120	99.465661	€ 18,08	40 / 250	40/150	120	99.465652	€ 18,08
	40/200	120	99.465662	€ 20,40		40/200	120	99.465653	€ 20,40
50 / 150	50 / 100	120	99.414261	€ 14,85	50 / 150	50 / 100	120	99.425858	€ 14,85
50 / 200	50 / 100	120	99.414259	€ 15,60	50 / 200	50 / 100	120	99.425859	€ 15,60
	50 / 150	120	99.414256	€ 15,60		50 / 150	120	99.425860	€ 15,60
55 / 110	80 / 100	120	99.396973	€ 14,78	55 / 110	80 / 100	120	99.396984	€ 14,78
55 / 220	55 / 110	120	99.364541	€ 15,90	55 / 220	55 / 110	120	99.364544	€ 15,90
	70 / 170	120	99.364540	€ 16,27		70 / 170	120	99.364543	€ 16,27
	80 / 100	120	99.396974	€ 16,42		80 / 100	120	99.396985	€ 16,42
	80 / 150	120	99.396975	€ 16,42		80 / 150	120	99.396986	€ 16,42
	80 / 200	120	99.396976	€ 16,42		80 / 200	120	99.396987	€ 16,42
70 / 170	55 / 110	120	99.364542	€ 15,53	70 / 170	55 / 110	120	99.364545	€ 15,53
	80 / 100	120	99.396977	€ 15,68		80 / 100	120	99.396988	€ 15,68
	80 / 150	120	99.396978	€ 15,68		80 / 150	120	99.396989	€ 15,68
80 / 150	55 / 110	120	99.396979	€ 15,45	80 / 150	55 / 110	120	99.396990	€ 15,45
	80 / 100	120	99.396980	€ 15,23		80 / 100	120	99.396991	€ 15,23
80 / 200	55 / 110	120	99.396983	€ 16,13	80 / 200	55 / 110	120	99.396995	€ 16,13
	70 / 170	120	99.395764	€ 16,13		70 / 170	120	99.396994	€ 16,13
	80 / 100	120	99.396982	€ 15,98		80 / 100	120	99.396993	€ 15,98
	80 / 150	120	99.396981	€ 15,98		80 / 150	120	99.396992	€ 15,98

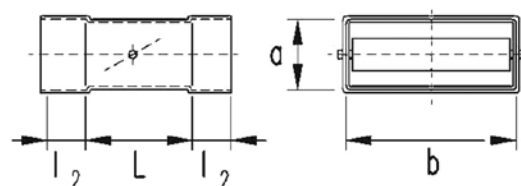
 op voorraad

Regelklep horizontaal



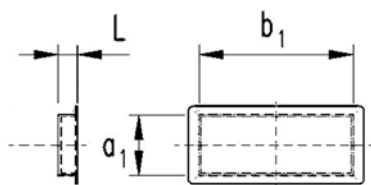
Ø	L	Art.nummer	€ / st
a / b	mm		
40 / 100	100	99.465624	€ 144,90
40 / 150	100	99.465625	€ 148,80
40 / 200	100	99.465626	€ 158,10
40 / 250	100	99.465627	€ 163,20
50 / 100	100	99.425939	€ 144,90
50 / 150	100	99.425940	€ 148,80
50 / 200	100	99.425942	€ 158,10
55 / 110	100	99.366739	€ 144,90
55 / 220	100	99.366740	€ 161,40
70 / 170	100	99.366741	€ 158,10
80 / 100	100	99.397014	€ 148,80
80 / 150	100	99.397015	€ 158,10
80 / 200	100	99.397016	€ 161,40

Terugslagklep horizontaal



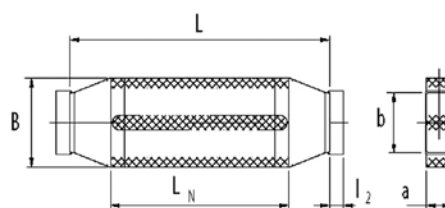
Ø	L	Art.nummer	€ / st
a / b	mm		
40 / 100	100	99.466527	€ 79,50
40 / 150	100	99.466528	€ 81,60
40 / 200	100	99.466529	€ 85,50
40 / 250	100	99.466530	€ 92,70
50 / 100	100		€ 79,50
50 / 150	100		€ 81,60
50 / 200	100		€ 85,50
55 / 110	100	99.366742	€ 79,50
55 / 220	100	99.366743	€ 90,30
70 / 170	100	99.366744	€ 85,50
80 / 100	100	99.397017	€ 81,60
80 / 150	100	99.397018	€ 85,50
80 / 200	100	99.397019	€ 90,30

Universeel deksel voor kanaal & mof



∅	L	Art.nummer	€ / st
a ₁ / b ₁	mm		
40 / 100	15	99.465678	€ 11,70
40 / 150	15	99.465679	€ 12,30
40 / 200	15	99.465680	€ 13,20
40 / 250	15	99.465681	€ 15,00
50 / 100	15	99.415632	€ 11,70
50 / 150	15	99.415634	€ 12,30
50 / 200	15	99.415636	€ 13,20
55 / 110	15	99.409787	€ 11,70
55 / 220	15	99.409788	€ 14,40
70 / 170	15	99.409789	€ 13,20
80 / 100	15	99.409790	€ 12,30
80 / 150	15	99.409791	€ 13,20
80 / 200	15	99.409793	€ 14,40

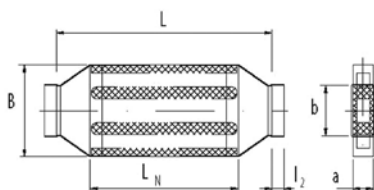
Geluidsdemper met scherm 40mm



∅	L _N	L	B	Art.nummer	€ / st
a / b	mm	mm	mm		
40 / 100	500	700	150	99.466510	€ 71,63
	1000	1200	150	99.466514	€ 85,72
40 / 150	500	700	200	99.466511	€ 86,93
	1000	1200	200	99.466515	€ 103,95
40 / 200	500	700	380	99.466512	€ 115,35
	1000	1200	380	99.466516	€ 131,63
40 / 250	500	700	390	99.466513	€ 126,30
	1000	1200	390	99.466517	€ 143,85
50 / 100	500	700	150	99.425867	€ 71,63
	1000	1200	150	99.425866	€ 85,72
50 / 150	500	700	320	99.425869	€ 101,93
	1000	1200	320	99.425868	€ 121,95
50 / 200	500	700	320	99.425871	€ 115,35
	1000	1200	320	99.425870	€ 131,63
55 / 110	500	700	150	99.403448	€ 71,63
	1000	1200	150	99.403455	€ 85,72
55 / 220	500	700	320	99.403449	€ 122,10
	1000	1200	320	99.403456	€ 137,63
70 / 170	500	700	270	99.403447	€ 105,98
	1000	1200	270	99.403454	€ 126,82
80 / 100	500	700	150	99.403450	€ 71,63
	1000	1200	150	99.403458	€ 85,72
80 / 150	500	700	200	99.403451	€ 105,98
	1000	1200	200	99.403459	€ 126,82
80 / 200	500	700	340	99.403452	€ 122,10
	1000	1200	340	99.403460	€ 137,63

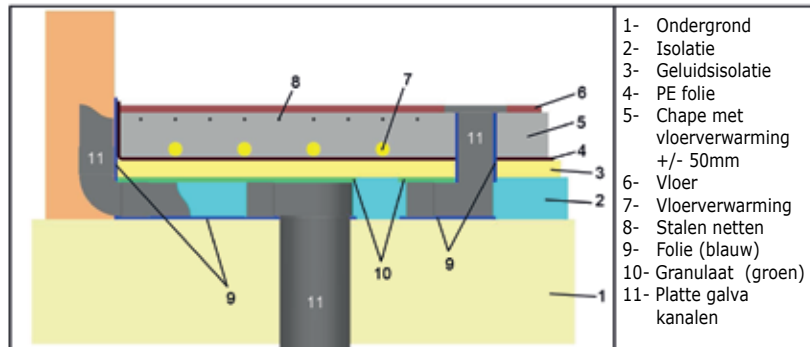
■ op voorraad

Geluidsdemper met bekleding en scherm 40mm



Ø	LN	L	B	Art.nummer	€ / st
a / b	mm	mm	mm		
40 / 100	500	700	220	99.466502	€ 124,27
	1000	1200	220	99.466506	€ 162,82
40 / 150	500	700	350	99.466503	€ 150,68
	1000	1200	350	99.466507	€ 189,45
40 / 200	500	700	420	99.466504	€ 180,30
	1000	1200	420	99.466508	€ 200,85
40 / 250	500	700	450	99.466505	€ 199,73
	1000	1200	450	99.466509	€ 221,33
50 / 100	500	700	220	99.425873	€ 124,27
	1000	1200	220	99.425872	€ 162,82
50 / 150	500	700	350	99.425875	€ 150,68
	1000	1200	350	99.425874	€ 189,45
50 / 200	500	700	420	99.425877	€ 180,30
	1000	1200	420	99.425876	€ 200,85
55 / 110	500	700	250	99.403463	€ 124,27
	1000	1200	250	99.403471	€ 162,82
55 / 220	500	700	420	99.403464	€ 189,75
	1000	1200	420	99.403472	€ 208,65
70 / 170	500	700	370	99.403462	€ 180,30
	1000	1200	370	99.403469	€ 200,85
80 / 100	500	700	220	99.403465	€ 124,27
	1000	1200	220	99.403473	€ 162,82
80 / 150	500	700	350	99.403466	€ 180,30
	1000	1200	350	99.403474	€ 200,85
80 / 200	500	700	420	99.403468	€ 189,75
	1000	1200	420	99.403476	€ 208,65

Montagevoorschriften voor montage in chape en beton.



Afbeelding 1

De schematische tekening is een aanbeveling voor het plaatsen van vloerverwarming in combinatie met onze platte galva kanalen.

Onze platte galva kanalen zijn ontworpen om in de chape te verwerken.



Afbeelding 2

Tussen twee platte kanalen moet er minstens 100mm afstand zijn. Dit om de sterkte van de chape te verzekeren.

De beste plaats om deze kanalen te plaatsen is aan de buitenmuren van het gebouw. Daar wordt immers het minst gelopen.

Het best is om de kanalen ook vertikaal van een bescherming te voorzien, dit teneinde een akoestische extra bescherming te maken.

Het is afgeraden om over de platte galva kanalen te lopen voor de chape geplaatst is en verhard is.

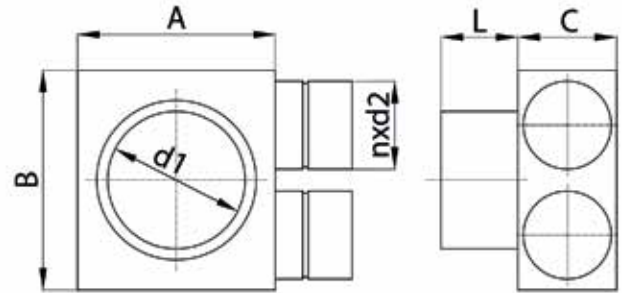
Bestendigheid van onze galva platte kanalen met beton en chape.

De oppervlakte van staalverzinkte kanalen hebben een zeer goede bescherming tegen corrosie van beton en regenwater.

Toch kunnen er agressieve stoffen in het beton voorkomen en dit kan leiden tot lichte corrosie.

Bij zeer lange vochtigheid van het beton kan dit toch corrosie veroorzaken, een witte schijn op de galva. Van zodra het beton dan helemaal droog is wordt dit corrosieproces gestopt. Pas na 1 à 2 jaar in een vochtige beton kunnen de kanalen corroderen. Uiteraard zijn er dan op deze werf nog tal van andere problemen.

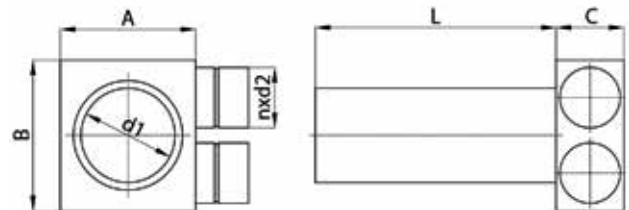
Galva luchtverdeelboxen voor in chape



Art.nummer	Verpakking	€ / st	A [mm]	B [mm]	C [mm]	L [mm]	d1 [mm]	n [szt.]	d2 [mm]
99.PL75.2	5	€ 34,53	180	200	90	60	125	2	75
99.PL75.3	5	€ 44,34	180	300	90	60	125	3	75

Artikelcode beschrijving

99	PL	75	2
ventilatie	Luchtverdeelbox	Ø uitgang	aantal uitgangen

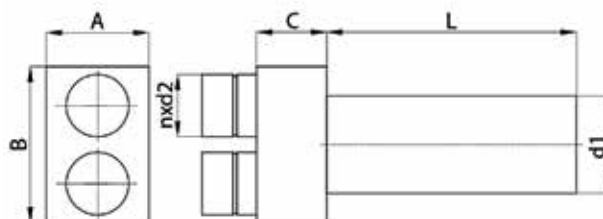


Art.nummer	Verpakking	€ / st	A [mm]	B [mm]	C [mm]	L [mm]	d1 [mm]	n [szt.]	d2 [mm]
99.PLL75.2	5	€ 42,06	180	200	90	320	125	2	75
99.PLL75.3	5	€ 53,68	180	300	90	320	125	3	75

Artikelcode beschrijving

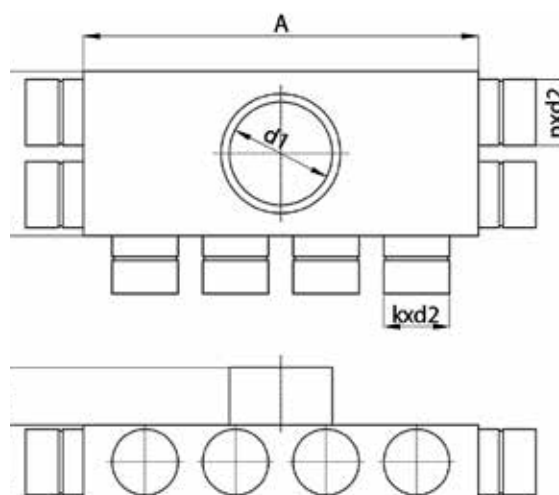
99	PLL	75	2
ventilatie	Luchtverdeelbox Lang	Ø uitgang	aantal uitgangen

Galva luchtverdeelboxen voor in chape



Art.nummer	Verpakking	€ / st	A [mm]	B [mm]	C [mm]	L [mm]	d1 [mm]	n [szt.]	d2 [mm]
99.PLLR75.2	5	€ 43,07	180	200	90	320	125	2	75
99.PLLR75.3	5	€ 54,66	180	300	90	320	125	3	75

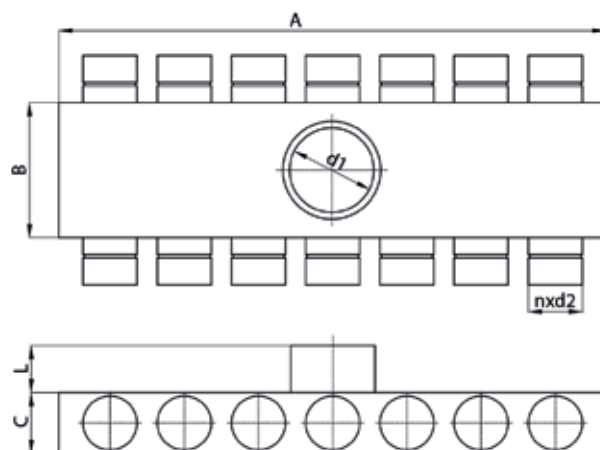
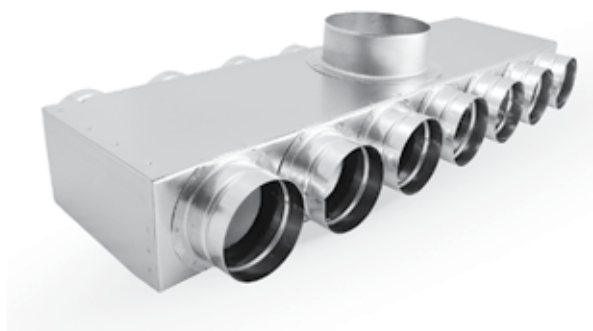
Artikelcode beschrijving			
99	PLLR	75	2
ventilatie	Luchtverdeelbox Lang Recht	Ø uitgang	aantal uitgangen



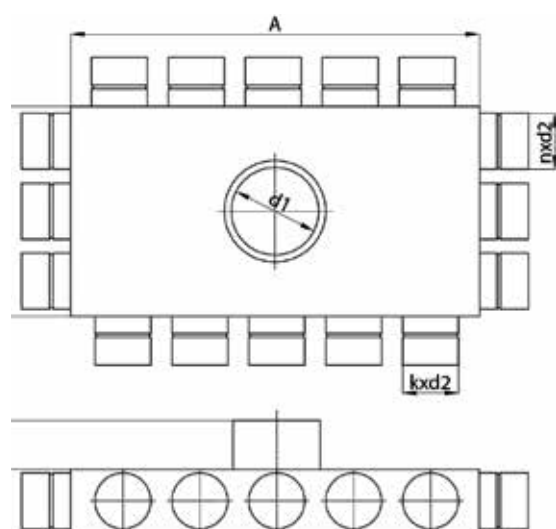
Art.nummer	Verpakking	€ / st	A [mm]	B [mm]	C [mm]	L [mm]	d1 [mm]	n [szt.]	k [szt.]	d2 [mm]
99.PL75.242	5	€ 110,19	400	200	90	60	125	4	4	75
99.PL75.363	5	€ 140,79	600	300	90	60	125	6	6	75

Artikelcode beschrijving			
99	PL	75	2+4+2
ventilatie	Luchtverdeelbox	Ø uitgang	aantal uitgangen

Galva luchtverdeelboxen voor in chape

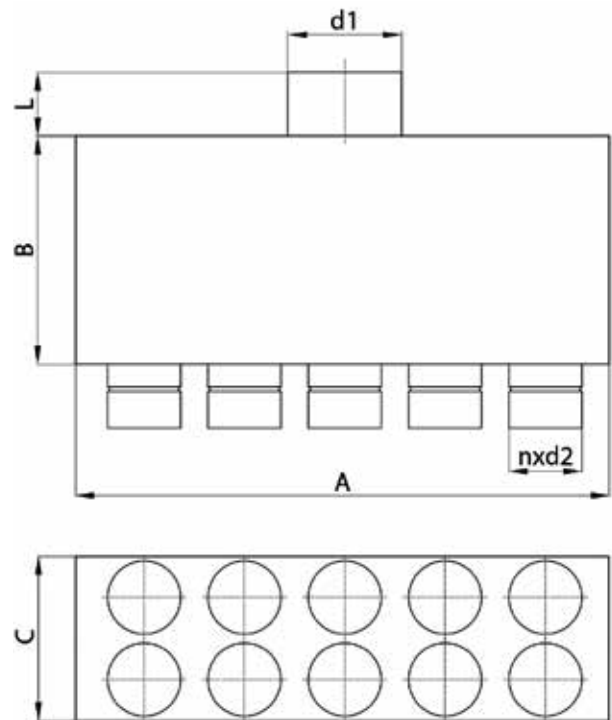


Art.nummer	Verpakking	€ / st	A [mm]	B [mm]	C [mm]	L [mm]	d1 [mm]	n [szt.]	d2 [mm]
99.PL75.77	5	€ 141,14	800	180	90	60	125	14	75
Artikelcode beschrijving									
99	PL	75	7+7						
ventilatie	Luchtverdeelbox	Ø uitgang	aantal uitgangen						



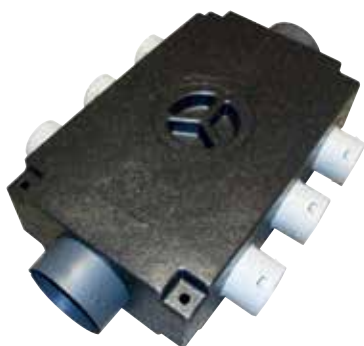
Art.nummer	Verpakking	€ / st	A [mm]	B [mm]	C [mm]	L [mm]	d1 [mm]	n [szt.]	k [szt.]	d2 [mm]
99.PL75.3535	5	€ 172,82	500	300	90	60	125	6	10	75
99.PL75.3636	5	€ 182,06	600	300	90	60	125	6	12	75
Artikelcode beschrijving										
99	PL	75	3+5+3+5							
ventilatie	Luchtverdeelbox	Ø uitgang	aantal uitgangen							

Galva luchtverdeelboxen voor in chape



Art.nummer	Verpakking	€ / st	A [mm]	B [mm]	C [mm]	L [mm]	d1 [mm]	n [szt.]	d2 [mm]
99.PLR75.10	5	€ 134,66	500	180	200	60	125	10	75
99.PLR75.12	5	€ 142,60	600	180	200	60	125	12	75
Artikelcode beschrijving									
99	PLR	75	10						
ventilatie	Luchtverdeelbox Recht	Ø uitgang	aantal uitgangen						

Polystyreen luchtverdeelboxen opbouw



VORT PLENIUM 6+1 is een luchtverdeler die gebruikt kan worden in combinatie met systemen en apparaten voor gecentraliseerde ventilatie, gemonteerd ter hoogte van de aan- en/of afvoerleidingen.

- geëxpandeerd polystyreen
- 2 openingen Ø 125 mm
- 6 openingen Ø 80 mm
- doppen
- inspectiedeksel
- afmetingen box zonder uitgangen: L 493 x B 300 x H 155 mm

Beschrijving	Art.nummer	€ / st
Luchtverdeelbox Vort Plenium 6+1	99.PLENIUM6+1	€ 81,00

PVC kanalen & toebehoren



Minigaine

Voordelen

- Integratie in verlaagde plafonds: weinig plaatsinname
- Installatie van VMC-kwaliteit: bestand tegen breuken, geen scheuren
- Gecontroleerde drukval
- Zeer esthetisch, ideaal bij renovatie

Minigaine PVC 40 x 100mm eq. Ø 80mm

Omschrijving	Art. nummer	€ / st
Kanalen en toebehoren 40 x 100mm		
Plat kanaal 1 m	99.110.91101	€ 5,72
Plat kanaal 3 m	99.110.91102	€ 17,27
Verbindingsmof vrouwelijk (tussen 2 kanalen)	99.110.23017	€ 1,12
Verbindingsnippel mannelijk (tussen 2 toebehoren)	99.110.23082	€ 0,92
Bocht verticaal 90°	99.110.23976	€ 6,13
Bocht horizontaal 90°	99.110.23977	€ 6,59
Eindkap minigaine	99.110.23098	€ 5,26
Bevestigingsbeugel	99.110.23080	€ 3,16
Flexibele koppeling vrouwelijk - 2m	99.110.23008	€ 32,45
Gemengde toebehoren 40 x 100 mm		
Systeemovergang bocht verticaal 90° naar Ø 80mm	99.110.23002	€ 3,49
Systeemovergang naar Ø 80mm	99.110.23978	€ 6,86
Verlengstuk - 0,15m (rond kanaal Ø 80mm)	99.110.23046	€ 6,14



Bocht vert. 90°
11023976



Bocht horizontaal 90°
11023977



Gemengde bocht voor stop
11023002



Stop
11023098



Gemengde koppeling kanaal
11023978



Koppeling F
11023017



Bevestigingsbeugel
11023080



Koppeling M
11023082

Minigaine PVC 60 x 200mm eq. Ø 125mm

Omschrijving	Art. nummer	€ / st
Kanalen en toebehoren 60 x 200 mm		
Plat kanaal 1 m	99.110.23085	€ 8,81
Plat kanaal 3 m	99.110.23971	€ 26,07
Verbindingsmof vrouwelijk (tussen 2 kanalen)	99.110.23970	€ 4,30
Verbindingsnippel mannelijk (tussen 2 toebehoren)	99.110.23083	€ 2,18
Bocht verticaal 90°	99.110.23974	€ 8,01
Bocht horizontaal 90°	99.110.23973	€ 9,90
T-stuk 90° horizontaal	99.110.23980	€ 17,27
Verloop plat	99.110.23972	€ 5,72
Eindkap	99.110.23084	€ 3,95
Bevestigingsbeugel	99.110.28081	€ 3,43
Flexibele koppeling vrouwelijk - 2m	99.110.23009	€ 53,90
Gemengde toebehoren 60 x 200 mm		
Systeemovergang bocht verticaal 90° naar Ø 125mm	99.110.23975	€ 7,44
Systeemovergang bocht 90° horizontaal naar Ø 125mm	99.110.23979	€ 17,27
Systeemovergang naar Ø 125mm	99.110.23995	€ 8,18
Systeemovergang bocht 90° horizontaal naar Ø 125mm	99.110.23994	€ 11,44
Rond kanaal en toebehoren Ø 125 mm		
Verlengstuk 3 m	99.110.23087	€ 49,39
Verlengstuk - 0,25 m	99.110.23088	€ 6,18
Verbindingsmof voor verlengbuis	99.110.23086	€ 3,49



Bocht vert. 90°
11023974



Bocht horizontaal 90°
11023973



T-stuk horizontaal
11023980



Bocht verticaal 90° voor stop
11023975



T-stuk verticaal 90° voor stop
11023979



Koppeling voor kanaal
11023995



Koppeling M
11023083



Koppeling F
11023970



Bocht horizontaal 90° voor kanaal
11023994



Reductie
11023972



Stop
11023084



Bevestigingsbeugel
11028081



Verlengstuk 3m
11023087



Verlengstuk 0,25m
11023088



Verbindingsmof voor verlengbuis
11028086

Sanair

Flexibel luchtkanaal en hulpstukken
uit PE zonder additieven
volgens DIN EN 61386-24

Artikelcode beschrijving				Ø x Wanddikte	Verpakking	Art. nummer	€ / m
99	SAN	F	050				
ventilatie	Saniar	flexibel	Ø	Flexibel luchtkanaal			
				50 x 4	50m	99.SANF050	€ 3,01
				63 x 4	50m	99.SANF063	€ 3,13
				75 x 7	50m	99.SANF075	€ 3,94



Artikelcode beschrijving				Ø	Verpakking	Art. nummer	€ / st
99	SAN	V / D / S	050				
ventilatie	Saniar	verbinding / dichting / stop	Ø	Verbindingsmof			
				50	1	99.SANV050	€ 1,47
				63	1	99.SANV063	€ 1,86
				75	1	99.SANV075	€ 2,21
				90	1	99.SANV090	-
				Dichtingsring			
				50	1	99.SAND050	€ 1,25
				63	1	99.SAND063	€ 1,31
				75	1	99.SAND075	€ 1,41
				90	1	99.SAND090	-
				Ruwbouw-beschermstop			
				50	1	99.SANS050	€ 1,47
				63	1	99.SANS063	€ 1,50
				75	1	99.SANS075	€ 1,54
				90	1	99.SANS090	-





Flexibele luchtkanalen

Aludec

Aluminium flexibel luchtkanaal - kl. M1

Temperatuurbereik -30°C / +250°C

Lengte 10m



Artikelcode beschrijving			Ø	Art. nummer	€ / st
99	ALU	085			
ventilatie	Aludec	Ø			
			85	99.ALU085	€ 12,79
			102	99.ALU102	€ 12,92
			127	99.ALU127	€ 15,47
			152	99.ALU152	€ 18,53
			160	99.ALU160	€ 19,51
			180	99.ALU180	€ 23,52
			203	99.ALU203	€ 26,49
			254	99.ALU254	€ 33,83
			315	99.ALU315	€ 41,97
			356	99.ALU356	€ 58,82
			407	99.ALU407	€ 68,59
			457	99.ALU457	€ 77,58
			508	99.ALU508	€ 86,26

Sonoflex 25

Al/MWG/Al Aluminium flexibel geïsoleerd
luchtkanaal kl. M1

Thermisch en acoustisch geïsoleerd
met 25mm glaswol - Lengte 10m

Temperatuurbereik -30°C / +150°C



Artikelcode beschrijving		
99	SONO	085
ventilatie	Sonoflex	Ø

Ø	Art. nummer	€ / st
85	99.SONO085	€ 40,15
102	99.SONO102	€ 40,77
127	99.SONO127	€ 44,46
152	99.SONO152	€ 45,82
160	99.SONO160	€ 54,15
180	99.SONO180	€ 60,90
203	99.SONO203	€ 62,18
254	99.SONO254	€ 77,81
315	99.SONO315	€ 96,48
356	99.SONO356	€ 118,72
407	99.SONO407	€ 134,51
457	99.SONO457	€ 151,04
508	99.SONO508	€ 162,97

Flexibel geïsoleerd luchtkanaal 25

EP/MWG/Al Polyester binnenflexibel

Thermisch en acoustisch geïsoleerd met
25mm glaswol

Lengte 6m

Temperatuurbereik -10°C / +120°C



Artikelcode beschrijving		
99	ISO	080
ventilatie	isolatie	Ø

Ø	Art. nummer	€ / st
80	99.ISO080	€ 43,98
100	99.ISO100	€ 44,29
125	99.ISO125	€ 50,50
150	99.ISO150	€ 56,90
160	99.ISO160	€ 70,51
180	99.ISO180	€ 90,48
200	99.ISO200	€ 130,76
250	99.ISO250	€ 250,10
315	99.ISO315	€ 305,00
355	99.ISO355	€ 347,70



Roosters, ventielen & toebehoren

Ventielen in metaal wit RAL 9010

Serie TV toevoer / AV afvoer

TOEPASSINGSGBIED

TV: Ventielen voor toevoer in ventilatiesystemen incl. montageframe.

AV: Ventielen voor afzuiging in ventilatiesystemen incl. montageframe.

Standaarddiameter van 80 tot 200 mm

Artikelcode beschrijving				
99	V	TV / AV		080
ventilatie	ventiel	toevoer / afvoer	Ø	



Ventiel TV



Ventiel AV

Beschrijving	Art. nummer	€ / st
TV Ø 80	99.TV080	€ 3,41
TV Ø 100	99.TV100	€ 3,41
TV Ø 125	99.TV125	€ 4,66
TV Ø 160	99.TV160	€ 7,18
TV Ø 200	99.TV200	€ 9,11
AV Ø 80	99.AV080	€ 3,41
AV Ø 100	99.AV100	€ 3,41
AV Ø 125	99.AV125	€ 4,66
AV Ø 160	99.AV160	€ 7,18
AV Ø 200	99.AV200	€ 9,11

Luxe uitvoering serie TVL toevoer / AVL afvoer

Artikelcode beschrijving				
99	V	TV / AV	L	080
ventilatie	ventiel	toevoer / afvoer	luxe	Ø



Ventiel TVL



Ventiel AVL

Beschrijving	Art. nummer	€ / st
TVL Ø 80	99.TVL080	€ 7,52
TVL Ø 100	99.TVL100	€ 7,52
TVL Ø 125	99.TVL125	€ 10,25
TVL Ø 160	99.TVL160	€ 14,11
TVL Ø 200	99.TVL200	€ 18,83
AVL Ø 80	99.AVL080	€ 5,98
AVL Ø 100	99.AVL100	€ 5,98
AVL Ø 125	99.AVL125	€ 7,96
AVL Ø 160	99.AVL160	€ 10,81
AVL Ø 200	99.AVL200	€ 15,21

Wervelrooster

Twisted 850 : Waar esthetiek en capaciteit elkaar vinden

TOEPASSINGSGBIED

Vaste plafondrooster voor pulsie of extractie.
Vaste hooginductieve spiraalvormige luchtuitblaas.
Ideaal voor systemen met variabel luchtdebiet.

Afmetingen: Ø 200 - 600 x 600



Beschrijving	Art. nummer	€ / st
Luchttoevoerrooster Twisted 850	99.110.51161	€ 208,09
Retourrooster, openend, met filter Twisted 850W	99.110.51162	€ 226,22
Vervangfilter	99.110.53949	€ 38.09

Ventilatieroosters

RVS Rooster met lamellen

Artikelcode beschrijving			Ø	Verpakking	Art.nummer	€ / st
99	VRL	100				
ventilatie	met lamellen	Ø	100		99.VRL100	€ 19,83
			125		99.VRL125	€ 21,64
			150		99.VRL150	€ 22,56
			160		99.VRL160	€ 24,36
			200		99.VRL200	€ 62,22



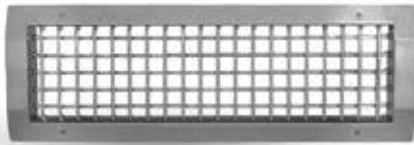
RVS Rooster met net 1 x 1 cm

Artikelcode beschrijving			Ø	Verpakking	Art.nummer	€ / st
99	VRN	100				
ventilatie	met net	Ø	100		99.VRN100	€ 19,83
			125		99.VRN125	€ 21,64
			150		99.VRN150	€ 22,56
			160		99.VRN160	€ 24,36
			180		99.VRN180	€ 48,61
			200		99.VRN200	€ 62,22



Kanaalroosters

Artikelcode beschrijving			
99	KR	E	325.075
ventilatie	kanaalrooster	enkel	L x H



Artikelcode beschrijving			
99	KR	D	325.075
ventilatie	kanaalrooster	dubbel	L x H

Artikelcode beschrijving				
99	KR	V	R	325.075
ventilatie	kanaalrooster	volumeregelaar	recht	L x H



Artikelcode beschrijving				
99	KR	V	S	325.075
ventilatie	kanaalrooster	volumeregelaar	schuin	L x H

Afm L x H	Voor Ø	Verpakking	Art.nummer	op bestelling € / st
Enkele afbuiging				
325 x 75	160/400		99.KRE325.075	-
425 x 75	160/400		99.KRE425.075	€ 21,30
525 x 75	160/400		99.KRE525.075	€ 25,11
625 x 75	160/400		99.KRE625.075	€ 22,25
425 x 125	315/900		99.KRE425.125	€ 25,59
525 x 125	315/900		99.KRE525.125	€ 29,56
625 x 125	315/900		99.KRE625.125	€ 27,98
525 x 225	450/1200		99.KRE525.225	€ 32,11
625 x 225	450/1200		99.KRE625.225	€ 37,04
825 x 225	450/1200		99.KRE825.225	-
Dubbele afbuiging				
325 x 75	160/400		99.KRD325.075	-
425 x 75	160/400		99.KRD425.075	€ 32,58
525 x 75	160/400		99.KRD525.075	€ 37,67
625 x 75	160/400		99.KRD625.075	€ 44,19
425 x 125	315/900		99.KRD425.125	€ 38,31
525 x 125	315/900		99.KRD525.125	€ 43,39
625 x 125	315/900		99.KRD625.125	€ 44,35
525 x 225	450/1200		99.KRD525.225	€ 50,39
625 x 225	450/1200		99.KRD625.225	€ 57,54
825 x 225	450/1200		99.KRD825.225	-
Volumeregelaar rechte geleider - voor afzuiging				
325 x 75	160/400		99.KRVR325.075	-
425 x 75	160/400		99.KRVR425.075	€ 15,26
525 x 75	160/400		99.KRVR525.075	€ 18,12
625 x 75	160/400		99.KRVR625.075	€ 19,87
425 x 125	315/900		99.KRVR425.125	€ 16,21
525 x 125	315/900		99.KRVR525.125	€ 19,71
625 x 125	315/900		99.KRVR625.125	€ 21,14
525 x 225	450/1200		99.KRVR525.225	€ 22,73
625 x 225	450/1200		99.KRVR625.225	€ 24,96
825 x 225	450/1200		99.KRVR825.225	-
Volumeregelaar schuine geleider - voor toevoer				
325 x 75	160/400		99.KRVS325.075	-
425 x 75	160/400		99.KRVS425.075	€ 21,30
525 x 75	160/400		99.KRVS525.075	€ 24,32
625 x 75	160/400		99.KRVS625.075	€ 26,23
425 x 125	315/900		99.KRVS425.125	€ 24,64
525 x 125	315/900		99.KRVS525.125	€ 28,45
625 x 125	315/900		99.KRVS625.125	€ 31,15
525 x 225	450/1200		99.KRVS525.225	€ 34,97
625 x 225	450/1200		99.KRVS625.225	€ 39,74
825 x 225	450/1200		99.KRVS825.225	-

Ventilatietoestellen - Systeem C

Zelfregelend COMPACT

TOEPASSINGSGBIED

Dit ventilatiesysteem is bijzonder geschikt voor permanente ventilatie in kleine ruimten.

Zelfregelende afzuiging van de lucht in ruimten via afvoerroosters.

Kunststof behuizing :

- 1 aftakking Ø 125 met ingebouwde regeling,
- 3 demonteerbare aftakkingen Ø 80 met ingebouwde regeling,
- afblaas Ø 125

Asynchrone motor met 2 snelheden voorzien van kogellagers en thermische beveiliging.

Laag geluidsniveau: volledig gemonteerd op trillingwerende blokjes.

Aansluiting voor keuken en maximum 3 sanitaire ruimtes.

Het gemiddeld verbruik is minder dan 35W.

Gewicht (enkel de groep): 3.3 kg - Hoogte: 19 cm



Beschrijving	Art.nummer	€ / st
Kit COMPACT	99.110.261011	€ 235,86
Kit:		
<ul style="list-style-type: none"> • 1 groep COMPACT • 1 keuken ventilatierooster Ø 125mm • + 3 sanitaire ventilatieroosters Ø 80mm regelaar 15-30m³/h • 1 stop 		

Ventilatiestoestellen - Systeem C

BAHIA compact vochtgeregeld

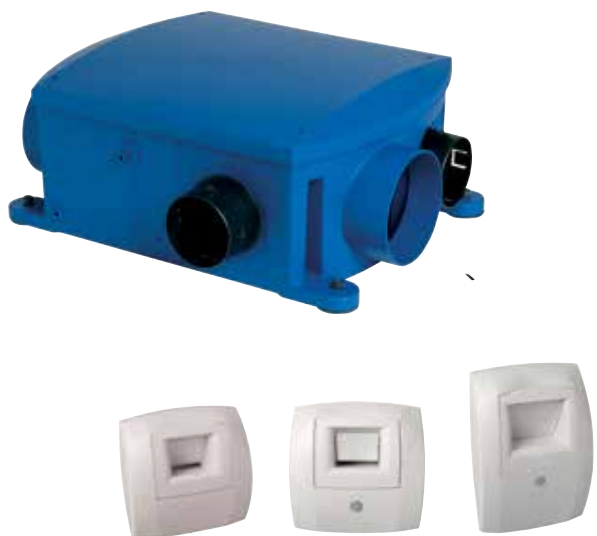
TOEPASSINGSGBIED

BAHIA is een ventilatiesysteem type C voor kleine woningen of appartementen.

Hij heeft 4 uitgangen: 3 x Ø 80 en 1 x Ø 125 en is geschikt voor max. 3 sanitaire ruimtes.

De kit wordt geleverd met de nodige ventielen in één pakket. Het gemiddeld verbruik is minder dan 45W.

Gewicht: 3,3 kg - Hoogte: 20 cm



Beschrijving	Art.nummer	€ / st
BAHIA compact motor AC 225m ³ /h 100Pa	99.110.33102	€ 249,35
Kit BAHIA compact AC 225m ³ /h 100Pa	99.110.33155	€ 506,78
Kit bestaande uit		
<ul style="list-style-type: none"> • 1 groep BAHIA compact • 3 ventielen: keuken, badkamer, toilet 		

Ventilatiestoestellen - Systeem C

BAHIA compact MW SP micro-watt

TOEPASSINGSGBIED

BAHIA is een ventilatiesysteem type C voor een kleine woning of appartement.

Automatische verandering van de luchtstroomhoeveelheid die door de vochtgestuurde ventilatieventielen met of zonder aanwezigheidssensor wordt geregeld.

Aansluiting van maximaal 1 keuken en/of badkamer en 3 sanitaire ruimten.

Energiezuinige gelijkstroom EC ventilatormotor: 10Db(A) minder dan de groepen uit zijn categorie dankzij zijn dubbele wand in recycleerbaar PVC. De ventilatiegroep is geleverd met Easy clip klemmen en montagehandleiding.

Vochtgestuurd regelventiel van toilet, keuken en/of badkamer, werkt met aanwezigheidssensor; luchtregelventiel berging en/of wasplaats is automatisch vochtgeregeld.

Zeer laag verbruik: vanaf 8,3W.

Luchtregelventielen toilet, keuken en badkamer werken met een alkaline batterij 9V (niet meegeleverd)

Gewicht: 3,6 kg - Hoogte: <19 cm



met EPB punten



B50



W25



BC75

Beschrijving	Art.nummer	€ / st
BAHIA compact MW SP - micro-watt	99.110.33113	€ 548,34
Ventilatie-rooster W25 WC	99.110.15407	€ 162,25
Ventilatie-rooster B50 berging/wasplaats	99.110.15408	€ 154,80
Ventilatie-rooster BC75 keuken/badkamer	99.110.15409	€ 180,00

Ventilatietoestellen - Systeem C

SFP 300 micro-watt

TOEPASSINGSGBIED

Vochtgestuurd ventilatiesysteem type C voor permanente ventilatie. Energie besparende ventilatie-unit bestaande uit: ventilatiebox met gelijkstroommotor en drukgestuurde regeling.

Zelf balancerende (Kite systeem) of vochtgestuurde (Bahia systeem) ventilatieroosters.

Recycleerbare kunststof unit bestaande uit een afneembare gemotoriseerde eenheid welke is bevestigd op de luchtverdeelkast. Standaard voorzien van 4 aansluitingen Ø 125 mm.

Motorbehuizing is uitgerust met een Ø 125/150 mm luchtuitlaat en kan geleverd worden met een EU stekker of Perilex stekker.

De luchtverdeelkast is voorzien van geluiddempende ringen, welke geschroefd gemonteerd zijn.

Maximaal 3 ventilatiesnelheden mogelijk uit 9 beschikbare curven. De unit is geschikt voor zowel flexibele als starre ventilatiekanalen.

Gewicht: 4 kg



Beschrijving	Art.nummer	€ / st
SFP 300 - micro-watt met EU stekker	99.110.33116	€ 446.75

Accessoires

BAHIA Compact MW SP - ventilatieroosters

BC75 Keuken/badkamer

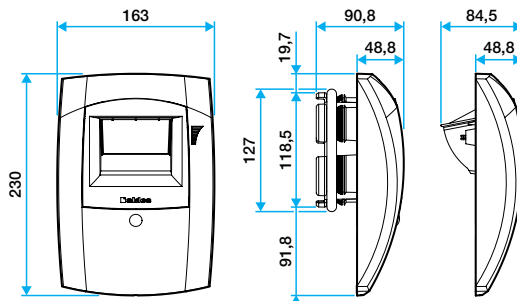
Veilig: laagspanning

Voeding: 9V-alkalinebatterij type 6LR61 (niet meegeleverd)

Netvoeding 12 VAC met netvoedingskaart (CAL)

Basisdebiet is afhankelijk van de relatieve luchtvochtigheid.

Maximumdebiet wordt geactiveerd door de aanwezigheidssensor en heeft een nalooptijd van 20 minuten.



Beschrijving	Art.nummer	€ / st
Ventilatierooster BC75 keuken/badkamer	99.110.15409	€ 180,00

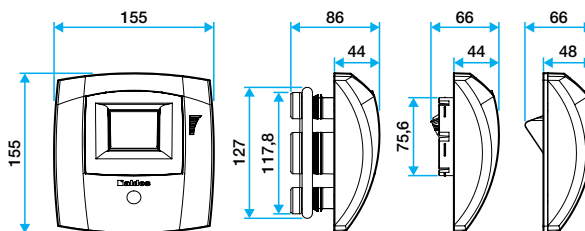
W25 + B50 voor sanitaire ruimten

WC: basisdebiet is afhankelijk van de relatieve luchtvochtigheid.

Max. debiet geactiveerd door aanwezigheidsdetectie met een nalooptijd van 20 minuten

Berging/wasplaats: basisdebiet is afhankelijk van de relatieve vochtigheid

Aanwezigheidsgestuurde versie:
voeding: 9V-alkalinebatterij type 6LR61 (niet meegeleverd)
als optie 12 VAC netvoeding met netvoedingskaart

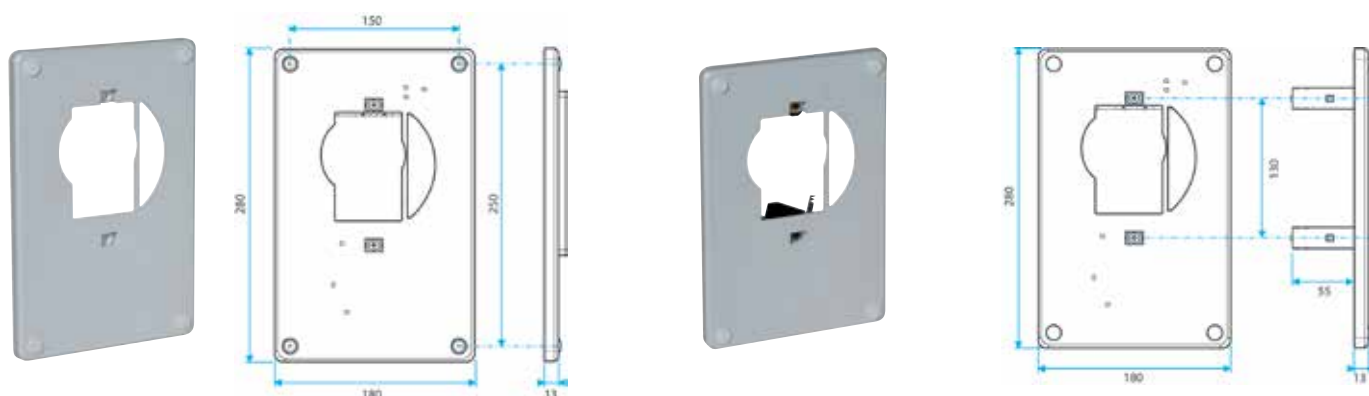


Beschrijving	Art.nummer	€ / st
Ventilatierooster W25 WC	99.110.15407	€ 162,25
Ventilatierooster B50 berging/wasplaats	99.110.15408	€ 154,80

Accessoires

BAHIA - renovatieplaat

PVC plaat met schroefgaten: wanneer het aansluitkanaal vervormd is of wanneer het aansluitkanaal niet over een standaard diameter beschikt.
 PVC plaat met haken: montage op shuntkanaal, sparring van 90 tot 140 mm breed en 150 tot 260 mm hoog



Beschrijving	Art.nummer	€ / st
BAHAI plaat met schroefgaten	99.110.15276	€ 27,13
BAHAI plaat met haken	99.110.15278	€ 11,69

BAHIA BH

elektrische accessoires



Standaarddrukknop



Netvoedingskaart-CAL



Transformator

Beschrijving	Art.nummer	€ / st
Standaarddrukknop	99.110.26011	€ 16,97
Netvoedingskaart CAL 12 VAC - 8 VDC	99.110.15275	€ 23,67
Transformator 12 VAC	99.110.17110	€ 73,42
Aansluiting Ø 125	99.110.15017	€ 11,40
Aansluiting Ø 100	99.110.15274	€ 11,40
Schuimplastic afdichting voor badkamer en wc zonder aansluiting	99.110.15018	€ 9,03
Geluidsplaat	99.110.15041	€ 15,79
Geluidsring (5x)	99.110.19429	€ 9,52

accessoires



Aansluiting Ø 125



Geluidsring



Geluidsplaat

Ventilatietoestellen - Systeem D

Dee Fly



TOEPASSINGSGBIED

Dee Fly is een ventilatiesysteem type D voor individuele woningen en appartementen. De Dee Fly kan zowel van elkaar als bij elkaar worden gemonteerd, tegen het plafond, op de grond of verticaal. Doordat het mogelijk is om de motor van de warmtewisselaar te scheiden is dit een uniek en gepatenteerd Aldes product ideaal voor appartementen.

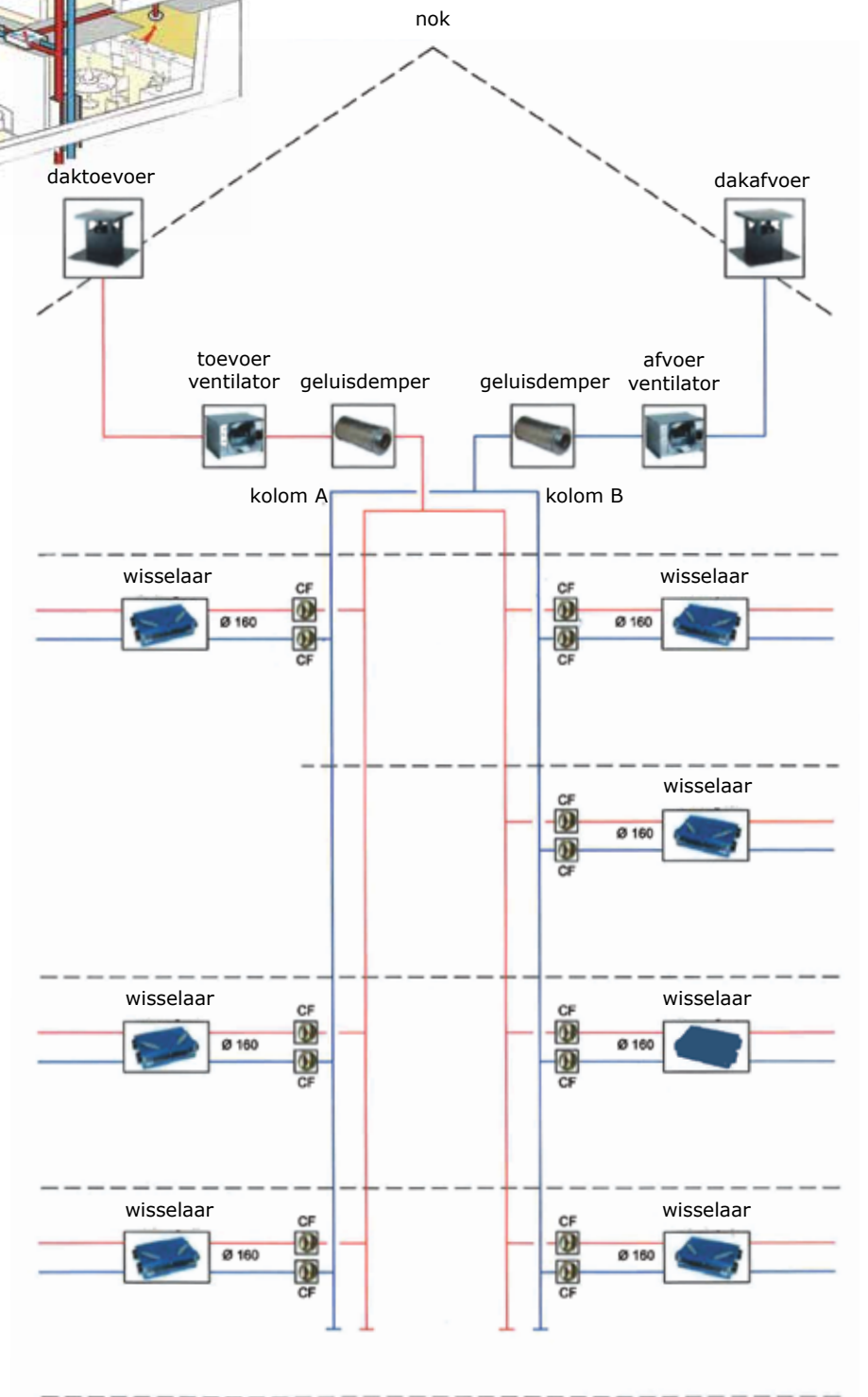
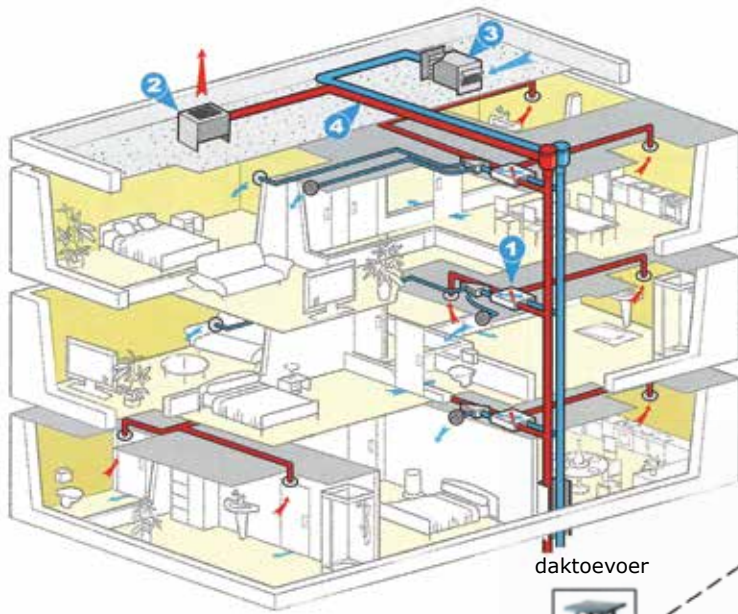
(Zie schets verder in catalogus.)

U plaatst één motor (grootte afhankelijk van het aantal appartementen) boven en in elk appartement alleen de warmtewisselaar. Hierdoor kan u aanzienlijk besparen in plaats en budget. Tevens kan elke appartementsbewoner individueel inregelen. De Dee Fly is geschikt van min. 4 tot max. 40 appartementen. De Dee Fly heeft een omkasting in PP, heeft 4 uitgangen van Ø 160 en een rendement van 90%. Het gemiddeld verbruik is minder dan 85W. Alle toebehoren voor de montage in eender welke richting zijn inbegrepen.

Gewicht samen: 30 kg



Beschrijving	Art.nummer	€ / st
Dee Fly Tweedelig 300 m ³ /h 100Pa zonder bypass	99.110.23137	€ 1.923,45
Dee Fly Tweedelig 300 m ³ /h 100Pa met bypass	99.110.23139	€ 2.289,38



Ventilatietoestellen - Systeem D

Prometeo Plus 400 - **Alles-in-1** - Tegenstroomwarmtewisselaar

TOEPASSINGSGBIED

Aanbevolen toepassing in residentiële gebouwen en commerciële gebouwen. Biedt continue ventilatie van de woning.

Kan geïntegreerd worden in een residentieel domotica systeem (ModBus).

- Extreem hoge warmterecuperatie (tot 92%)
- Elektronisch geregelde borstelloze en onafhankelijk instelbare EC-motoren.
- Luchtdebiet pulsieventilator en extractieventilator zijn apart instelbaar.
- RF-afstandsbediening bijgeleverd.
- Max. luchtstroom 420 m³/u.
- Optie om drempelwaarden voor temperatuur, vochtigheid en CO₂ in te stellen.
- Gecombineerde temperatuur, vocht- en CO₂meting in de warmtewisselaar (aanzuig retourlucht)
- Timer.
- 3 beschikbare snelheden via draadloze digitale afstandsbediening.
- Automatische vorstbeveiliging.
- 100% automatisch Bypass.
- Geleverd met 2 F5-filters (F7 als optie).
- 1m lange geluiddemper, dikte 0,5mm met een nominale diameter van 150 mm bijgeleverd.
- Horizontale en verticale installatie (2 montagehouders voor verticale installatie en 4 voeten voor horizontale installatie bijgeleverd).
- Beschermingsklasse: IPX2. - Isolatieklasse: Cl.II.
- EN 308 gekeurd



Beschrijving	Art.nummer	€ / st
Prometeo Plus HR400 350m ³ /h 150 Pa	99.D400	€ 2412,75
Inclusief: <ul style="list-style-type: none"> • ingebouwde CO₂ sensor • geluiddempers • ingebouwde vochtregeling • ingebouwde domotica aansluiting • RF-digitale afstandsbediening 		

Ventilatietoestellen - Systeem D

HR 200 - Tegenstroomwarmtewisselaar

TOEPASSINGSGBIED

Aanbevolen toepassing in appartementen tot 120m².

Biedt continue ventilatie.

- Extreem hoge warmterecuperatie (tot 93%)
- Elektronisch geregelde borstelloze EC-motoren, gemonteerd op trillingsdempers.
- Laag energieverbruik.
- Max. luchtstroom 210 m³/u.
- Timer 30 minuten.
- Via extern apparaat kunnen er 2 snelheden worden gekozen.
- Automatische vorstbeveiliging.
- GEEN Bypass.
- Geleverd met 2 G3-filters (F5 als optie).
- Eenvoudige horizontale en verticale installatie aan de wand.
Kan in een keukenkast gemonteerd worden
- Beschermingsklasse: IPX2. - Isolatieklasse: Cl.II.
- EN 308 gekeurd



Beschrijving	Art.nummer	€ / st
HR 200 150 m ³ /h 100 Pa	99.D200	€ 1733

Ventilatietoestellen - Systeem D

Enthalpie hoogefficiënte tegenstroomwarmtewisselaar
350 - 500 - 800 - 1000

TOEPASSINGSGBIED

Ventilatiesysteem type D voor individuele woningen.

Houdt de relatieve luchtvochtigheid binnenshuis op peil tijdens de winter.

- inclusief bekabelde digitale afstandsbediening met weekprogramma
- geen condensafvoer nodig
- luchtdebiet van 350-1000m³/h
- terugwinning van thermische energie
- hoogefficiënte enthalpie tegenstroomwarmtewisselaar
- 3 snelheden
- stille werking
- dubbele filters F8
- eenvoudige plafondmontage zowel horizontaal als verticaal
- automatische bypass functie
- CO₂ sensor in optie
- EN 308 gekeurd



Beschrijving	Art.nummer	€ / st
D350-ETP 247 m ³ /h 150 Pa	99.D350ETP	€ 1822,00
D500-ETP 388 m ³ /h 150 Pa	99.D500ETP	€ 2075,00
D800-ETP 729 m ³ /h 150 Pa	99.D800ETP	€ 2915,50
D1000-ETP 846 m ³ /h 150 Pa	99.D1000ETP	€ 3444,63
Inclusief:		
• bekabelde digitale afstandsbediening		

Optie
CO₂ sensor



Art.nummer	€ / st
99.DCO2	€ 224,00

Dakdoorvoeren

Ronde dakdoorvoer



Beschrijving	Art.nummer	€ / st
Ronde grijze uitgang normaal	99.110.22037	€ 155,84
Ronde bruine uitgang normaal	99.110.22040	€ 155,84
Dichtingsovergang 150-125	99.111.22697	€ 7,27

Dakdoorvoer



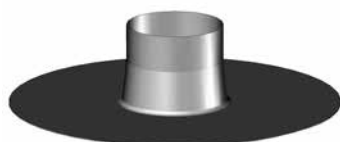
Beschrijving	Art.nummer	€ / st
Dakdoorvoer grijs + loodafwerking	99.110.22036	€ 84,73
Dakdoorvoer bruin + loodafwerking	99.111.22042	€ 84,73



Dakdoorvoer aluminium - zwart gepoederlakt RAL kleur 9005

Ø	Art.nummer	€ / st
100	99.224.210	€ 71,49
125	99.224.211	€ 81,12
150	99.224.212	€ 95,13
180	99.224.213	€ 103,87
200	99.224.214	€ 126,78
250	99.224.215	€ 183,16
300	99.224.216	€ 199,37

Aluminium plakplaten zwart



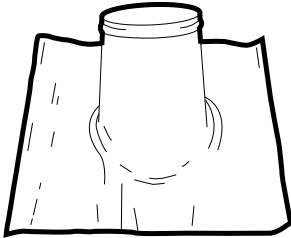
Ø	Art.nummer	€ / st
100	99.223.001	€ 22,19
125	99.223.003	€ 24,00
150	99.223.005	€ 32,74
180	99.223.006	€ 34,37
200	99.223.007	€ 34,37
250	99.223.070	€ 133,16
300	99.223.071	€ 174,09

Polyetheen glijschalen zwart



Ø	Art.nummer	€ / st
100	99.223.001	€ 12,17
125	99.223.003	€ 12,17
150	99.223.005	€ 13,45
180	99.223.006	€ 22,37
200	99.223.007	€ 22,37

Vaste loodslabpan zwart



Ø	Art.nummer	€ / st
30°		
250	99.230.073	€ 272,58
300	99.230.074	€ 293,14
30° - 40°		
180	99.226.008	€ 209,00
200	99.226.009	€ 219,93
50° - 55° - 60°		
50° 150	99.226.018	€ 210,77
55° 150	99.226.020	€ 263,46
60° 150	99.226.022	€ 263,46

Bevestigingsbeugel



Ø	Art.nummer	€ / st
99	99.170.100	€ 5,09
124	99.170.124	€ 5,09
151	99.170.151	€ 6,35
181	99.170.181	€ 6,35
201	99.170.201	€ 6,90
251	99.170.251	€ 8,00
301	99.170.301	€ 10,37

Filters

Filters



Beschrijving	Art.nummer	€ / st
Dee Fly met bypass : Kit G4+F7	99.110.23146	€ 72,26
Dee Fly zonder bypass: Kit G4+F7	99.110.23145	€ 72,26

Speciale extrafilter bestaande uit de filter en montage ring



Ø	Art.nummer	€ / st
100	99.108.3166	€ 8,88
125	99.108.3167	€ 10,92
160	99.108.3168	€ 12,24
200	99.108.3169	€ 14,16

Houdt uw installatie zuiver!

Beugels met rubber

Artikelcode beschrijving			Ø	Art.nummer	€ / st
99	RB	080			
ventilatie	beugel met rubber	Ø			
			80	RB080	€ 2,28
			100	RB100	€ 2,08
			125	RB125	€ 2,34
			150	RB150	€ 2,77
			160	RB160	€ 2,77
			180	RB180	€ 3,55
			200	RB200	€ 4,01
			224	RB224	€ 4,45
			250	RB250	€ 4,92
			315	RB315	€ 5,74
			355	RB355	€ 6,26
			400	RB400	€ 7,15



Spanbanden

Artikelcode beschrijving			Ø	Art.nummer	€ / st
99	SB	080			
ventilatie	spanband	Ø			
			80	SB080	€ 0,67
			100	SB100	€ 0,67
			125	SB125	€ 0,78
			150	SB150	€ 1,17
			160	SB160	€ 1,17
			180	SB180	€ 1,17
			200	SB200	€ 1,21
			224	SB224	€ 1,37
			250	SB250	€ 1,37
			315	SB315	€ 1,54
			355	SB355	€ 4,42



Tek vijzen

Artikelcode beschrijving			Ø x L	Art.nummer	€ / 1000 st
99	TG	080			
ventilatie	tek vijzen	Ø	4,2 x 13	TG42	€ 19,00
			4,8 x 16	TG48	€ 21,96
			5,5 x 19	TG55	€ 23,81



Magneetkop voor vijzen

Artikelcode beschrijving			Art.nummer	€ / st	
99	MK	080			
ventilatie	magneetkop	Ø	voor TG42	MKG7	€ 2,76
			voor TG48 tot TG55	MKG8	€ 2,76



Alu tape

Artikelcode beschrijving			Beschrijving	Art.nummer	€ / st
99	AT	080			
ventilatie	alu tape	Ø	50 mm x 50 m	99.AT050	€ 8,29



CERTIFICATE

Valid for 2013

Producer: Sanutal

The producer has the following original machines from Spiro International SA:

- Tubeformer

The Spiro Tubeformer is able to produce ducts in class D, after the end of 2013 will we have to renew the certificate to sustain maximum production quality, capacity and reliability of the Spiro® machines. In order to do that do the machines need to be inspected annually by an authorized service engineer from Spiro.


Martin Skifter
Manager Inspections

Spiro International SA, Industriestrasse 173, CH-3178 Boesingen, Switzerland


CERTIFICATE OF AUTHENTICITY

We hereby certify that the equipment below is SPIRO® original.

Machine type: SPIRO TUBEFORMER 1602
Machine number: 12021
Supplied to: SANUTAL, BE-2280 GROBBENDONK, BELGIUM
Date of manufacture: 25.01.2013


Rickard Lindqvist
President


Christer Johnson
Technical Director

Spiro International SA, Industriestrasse 173, CH-3178 Boesingen, Switzerland 

9464158

- Alle prijzen zijn in €/st
- Tussentijdse prijswijzigingen en/of modelveranderingen kunnen geschieden zonder voorafgaand bericht
- Indien anders vermeld zijn alle prijzen brutto
- Niet vermelde prijzen op aanvraag
- Jaarcontracten: voorwaarden op aanvraag
- Franco leveringen vanaf € 600
- Transportkost € 19 (buizen € 75) voor bestellingen < € 600
- Leveringstermijn: uit voorraad tenzij anders vermeld
- Betaling: 30 dagen einde maand of contant -2%
- Garantie per product op aanvraag
- Verdere technische specificaties op aanvraag

