



WEVER & DUCRÉ
LIGHTING

SOLID 1.0 PAR16

133120B0

Project
Type
Notes
Quantity
Date

GENERAL

Ceiling
 Surface
 Jet Black
 IP20
 Interior
 440^a to 445^b lm
 RAL 9005^c

LED

Lamp PAR16
 PAR16
 Socket GU10
 max. 12 W
 CRI ≥ 80

OPTICAL

Beam angle 48°

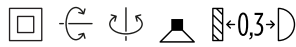
PHYSICAL

Diameter 100 mm
 Height 130 mm
 0.61 kg
 Tilt min 25°
 Tilt max 25°
 Rotation 355°

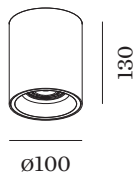
ELECTRICAL

100 - 240 V
 Total connected power 6.6^b to 6.7^a W
 Class 2
 Safety distance 0.3 m

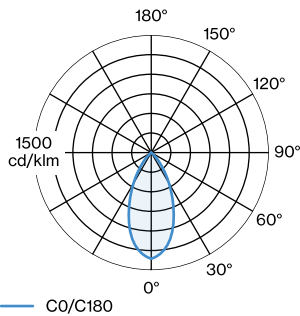
^a LED 3000K CRI 80 white
^b LED 2700K CRI 80 white
^c Color may deviate slightly due to production conditions.



Cylindrical ceiling surface mounted downlight made from die-cast aluminium; adjustable; surface Jet Black; powder coated; matt texture; RAL 9005; lamp socket GU10; lamp type PAR16; max. 12W; 100 - 240 V; 355° rotatable and 25° tiltable; degree of protection IP20; PC2; lamp not included;



LIGHT DISTRIBUTION



[133120B0] The technical data represent rated values for an ambient temperature of 25°C. The data values for the luminous flux are initially subject to a tolerance of +/- 10%, those for the electrical connected load are initially subject to a tolerance of +/- 10%, and those for the colour temperature are initially subject to a tolerance of +/- 150 K. No liability is assumed for typographical or printing errors. The general terms and conditions of Wever & Ducré BV apply.
 © Wever & Ducré BV · Spinnerijstraat 99/21 · 8500 Kortrijk · Belgium · www.weverducre.com



WEVER & DUCRÉ
LIGHTING

SOLID 1.0 PAR16

133120B0

CONE DIAGRAM

LED 3000K CRI ≥ 80 White

h (m)	EO° (lx)	ø (m)
1	618	0.89
2	155	1.78
3	69	2.67
4	39	3.56
5	25	4.45

OTHER

Metal spring clip

TYPE	(MM)	ORDERCODE
MR16 LED PAR16 max. 12W	59	9 0 0 1 9 7 0 0



ø59

Spring clip

TYPE	COLOUR	(MM)	ORDERCODE
MR16 LED PAR16 max. 12W	Black	59	9 0 0 1 9 8 B 0
MR16 LED PAR16 max. 12W	Gold	59	9 0 0 1 9 8 G 0
MR16 LED PAR16 max. 12W	Bronze	59	9 0 0 1 9 8 Q 0
MR16 LED PAR16 max. 12W	Silver	59	9 0 0 1 9 8 S 0
MR16 LED PAR16 max. 12W	White	59	9 0 0 1 9 8 W 0

LAMPS

PAR16 LED Lamp

TYPE	COLOUR	Ø·H (MM)	ORDERCODE
2700K >90 CRI GU10	Black	ø50·58	9 0 1 2 2 8 B 3
3000K >90 CRI GU10	Black	ø50·58	9 0 1 2 2 8 B 5
2700K >90 CRI GU10	White	ø50·58	9 0 1 2 2 8 W 3
3000K >90 CRI GU10	White	ø50·58	9 0 1 2 2 8 W 5
2700K >80 CRI GU10	Silver	ø50·52	9 0 5 2 2 7 S 2
3000K >80 CRI GU10	Silver	ø50·52	9 0 5 2 2 7 S 4