



WEVER & DUCRÉ  
LIGHTING

# SOLID 1.0 PAR16

133120K0

Project
Type
Notes
Quantity
Date

## GENERAL

Ceiling  
 Surface  
 Jet Black + Gold  
 IP20  
 Interior  
 445<sup>a</sup> to 450<sup>b</sup> lm

## LED

Lamp PAR16  
 PAR16  
 Socket GU10  
 max. 12 W  
 CRI ≥ 80

## OPTICAL

Beam angle 48°

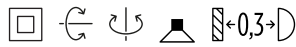
## PHYSICAL

Diameter 100 mm  
 Height 130 mm  
 0.61 kg  
 Tilt min 25°  
 Tilt max 25°  
 Rotation 355°

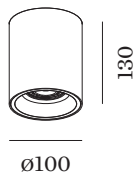
## ELECTRICAL

100 - 240 V  
 Total connected power 6.6<sup>b</sup> to 6.7<sup>a</sup> W  
 Class 2  
 Safety distance 0.3 m

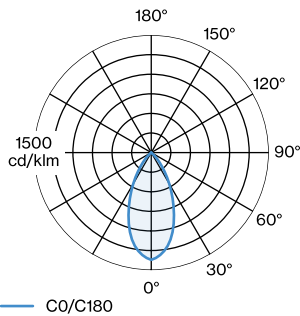
<sup>a</sup> LED 3000K CRI 80 white  
<sup>b</sup> LED 2700K CRI 80 white



Cylindrical ceiling surface mounted downlight made from die-cast aluminium; adjustable; surface Jet Black + Gold; wet painted; matt smooth; lamp socket GU10; lamp type PAR16; max. 12W; 100 - 240 V; 355° rotatable and 25° tiltable; degree of protection IP20; PC2; lamp not included;



## LIGHT DISTRIBUTION



[133120K0] The technical data represent rated values for an ambient temperature of 25°C. The data values for the luminous flux are initially subject to a tolerance of +/- 10%, those for the electrical connected load are initially subject to a tolerance of +/- 10%, and those for the colour temperature are initially subject to a tolerance of +/- 150 K. No liability is assumed for typographical or printing errors. The general terms and conditions of Wever & Ducré BV apply.  
 © Wever & Ducré BV · Spinnerijstraat 99/21 · 8500 Kortrijk · Belgium · www.weverducre.com



WEVER & DUCRÉ  
LIGHTING

# SOLID 1.0 PAR16

133120K0

## CONE DIAGRAM

LED 2700K CRI ≥ 80 White

h (m)	EO° (lx)	ø (m)
1	632	0.89
2	158	1.78
3	70	2.67
4	40	3.56
5	25	4.45

## OTHER

### Metal spring clip

TYPE	(MM)	ORDERCODE
MR16   LED   PAR16   max. 12W	59	9 0 0 1 9 7 0 0



ø59

### Spring clip

TYPE	COLOUR	(MM)	ORDERCODE
MR16   LED   PAR16   max. 12W	Black	59	9 0 0 1 9 8 B 0
MR16   LED   PAR16   max. 12W	Gold	59	9 0 0 1 9 8 G 0
MR16   LED   PAR16   max. 12W	Bronze	59	9 0 0 1 9 8 Q 0
MR16   LED   PAR16   max. 12W	Silver	59	9 0 0 1 9 8 S 0
MR16   LED   PAR16   max. 12W	White	59	9 0 0 1 9 8 W 0

## LAMPS

### PAR16 LED Lamp

TYPE	COLOUR	Ø · H (MM)	ORDERCODE
2700K   >90 CRI   GU10	Black	ø50 · 58	9 0 1 2 2 8 B 3
3000K   >90 CRI   GU10	Black	ø50 · 58	9 0 1 2 2 8 B 5
2700K   >90 CRI   GU10	White	ø50 · 58	9 0 1 2 2 8 W 3
3000K   >90 CRI   GU10	White	ø50 · 58	9 0 1 2 2 8 W 5
2700K   >80 CRI   GU10	Silver	ø50 · 52	9 0 5 2 2 7 S 2
3000K   >80 CRI   GU10	Silver	ø50 · 52	9 0 5 2 2 7 S 4