



WEVER & DUCRÉ  
LIGHTING

# TUBE WALL 1.0 PAR16

711120B0

Project

Type

Notes

Quantity

Date

## GENERAL

Wall  
Surface  
Jet Black  
IP65  
Exterior  
355<sup>a</sup> to 360<sup>b</sup> lm  
RAL 9005<sup>c</sup>

## LED

Lamp PAR16  
PAR16  
Socket GU10  
max. 5 W  
CRI 80

## OPTICAL

Beam angle 38°

## PHYSICAL

Diameter 80 mm  
Height 80 mm  
0.49 kg

## ELECTRICAL

100 - 240 V  
Total connected power 4.1<sup>b</sup> to 4.8<sup>a</sup> W  
Class 1  
Safety distance 0.3 m

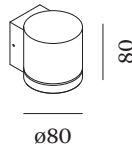
<sup>a</sup> PAR16 LED 2700K CRI 80 silver

<sup>b</sup> LED 3000K CRI 80 silver

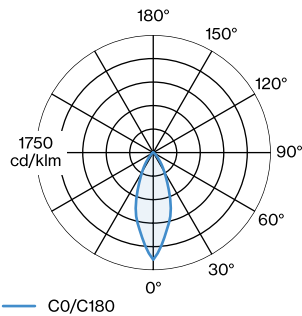
<sup>c</sup> Color may deviate slightly due to production conditions.



IP65



## LIGHT DISTRIBUTION



[711120B0] The technical data represent rated values for an ambient temperature of 25°C. The data values for the luminous flux are initially subject to a tolerance of +/- 10%, those for the electrical connected load are initially subject to a tolerance of +/- 10%, and those for the colour temperature are initially subject to a tolerance of +/- 150 K. No liability is assumed for typographical or printing errors. The general terms and conditions of Wever & Ducré BV apply.  
© Wever & Ducré BV · Spinnerijstraat 99/21 · 8500 Kortrijk · Belgium · www.weverducre.com



WEVER & DUCRÉ  
LIGHTING

# TUBE WALL 1.0 PAR16

711120B0

## CONE DIAGRAM

PAR16 LED 2700K CRI ≥ 80

h (m)	E0° (lx)	Ø (m)
1	640	0.68
2	160	1.37
3	71	2.05
4	40	2.74
5	26	3.42

## LAMPS

### PAR16 LED Lamp

TYPE	Ø · H (MM)	ORDERCODE
2700K   >80 CRI   GU10	∅50 · 52	9 0 5 2 2 7 S 2
3000K   >80 CRI   GU10	∅50 · 52	9 0 5 2 2 7 S 4