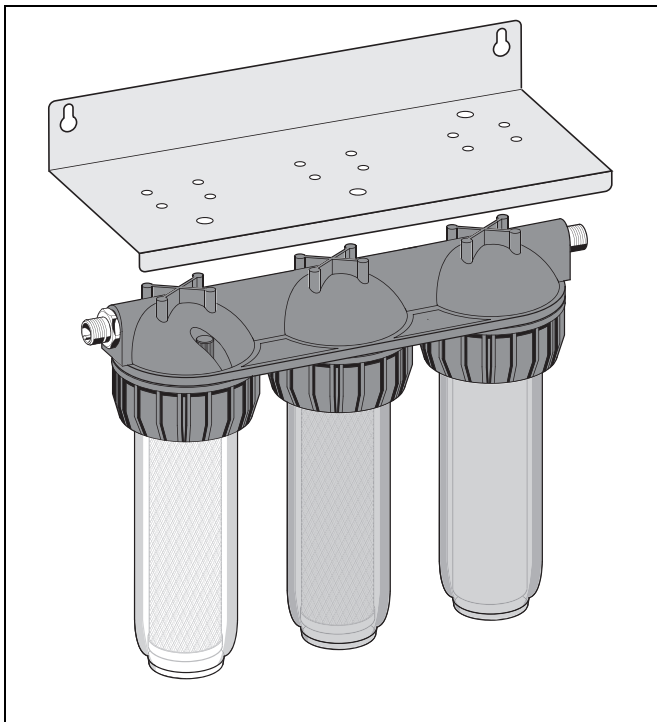


FF60

TRIPLEX filter with washable prefilter, fine filter and activated carbon cartridge

Product specification sheet



Construction

The filters comprise:

- Simplex housing for 100µm sieve, for 25µm sieve and activated carbon cartridge
- Wall bracket with screws
- Clear filter bowls
- Preliminary filter 100µm (rinsable)
- Fine filter 25 µm
- Activated Carbon insert
- 3/4" female thread
- 3/4"-1" male adapter
- 3/4"-3/4" male adapter
- Teflon-sealing tape
- 3 additional spare o-rings for the filter bowls
- Ring wrench for filter bowl

Materials

- Head and ring nut: reinforced polypropylene
- Polyester prefilter net
- Polypropylene fine filter
- Granular activated carbon
- Clear synthetic material filter bowl
- Zinc plated metal wall bracket
- EPDM O-Rings

Application

The TRIPLEX water filter combines three different filter cartridges in one housing. Washable prefilter, the polypropylene cartridge holds back undissolved matter. The fine filter prevents the ingress of particulates, for example rust particles, strands of hemp and grains of sand. Activated Carbon cartridge filters out fine particles, eliminates of unpleasant odors and flavours caused by chlorine or other organic substances, removes of pesticides, insecticides, chlorinate solvents.

The filters ensure a continuous supply of filtered water.

The filters can be applied to rain water treatment within the range of their specifications.

Special Features

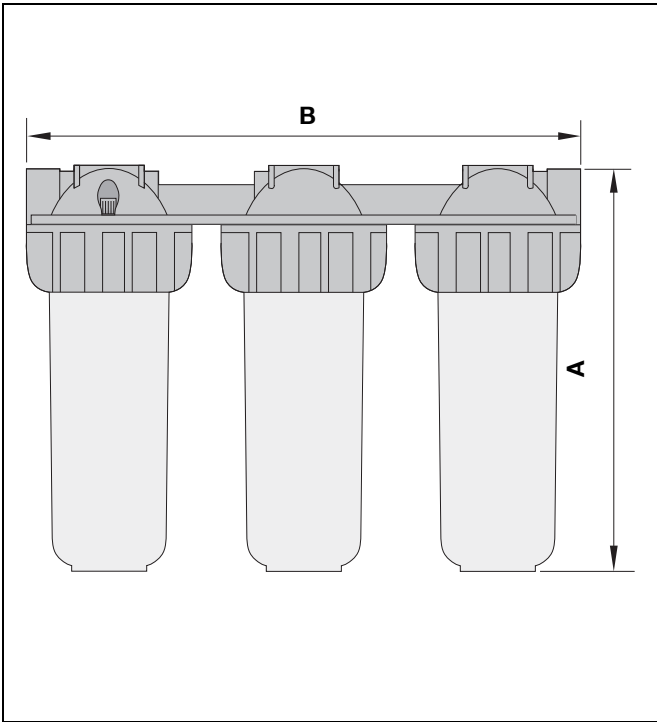
- Large filter surface
- Filter insert fully replaceable
- Spare o-rings for first maintenance included
- Very simple operation
- Reliable and proven

Range of Application

Medium Water

Technical Data

Installation position	Horizontal with filter bowl downwards
Operating pressure	Maximum 6.0 bar
Operating temperature	Maximum 45 °C
Connection size	3/4" female, 3/4" male with 3/4"-3/4" male adapter 1" male with 3/4"-1" adapter



Method of Operation

Water flows through both the prefilter and the fine filter mesh from outside to inside and these traps dirt particles on the outer face of the filter. For reasons of hygiene, the fine filter insert must be replaced at no longer than six monthly intervals. The washable prefilter should be replaced at least after 2 years or after the third rinsing.

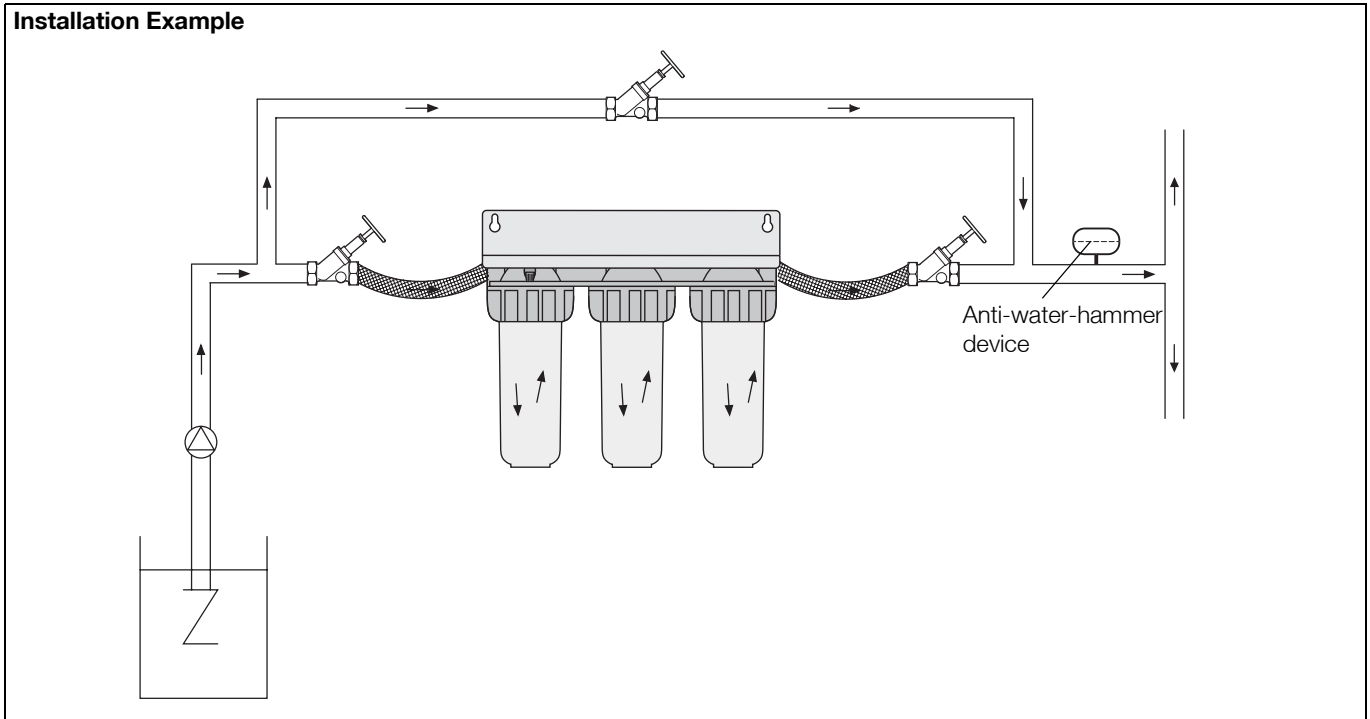
Activated Carbon cartridge filters out fine particles, eliminates of unpleasant odours and flavours caused by chlorine or other organic substances, removes of pesticides, insecticides, chlorinate solvents.

Average life-span of activated carbon cartridges: about 6 months.

Options

FF60 Triplex water filter: prefilter mesh size 100µm, fine filter mesh size 25µm and with activated carbon filter

Connection size		$\frac{3}{4}$ " female, $\frac{3}{4}$ " male with $\frac{3}{4}$ " - $\frac{3}{4}$ " adapter 1" male with 1" - $\frac{3}{4}$ " adapter
Approximate weight	approx. kg	3.90
Dimensions	mm	
	A	320
	B	420
Flow value at $\Delta p = 0.2$ bar	m^3/h	0.4
K_{VS} -value		0.8



Installation Guidelines

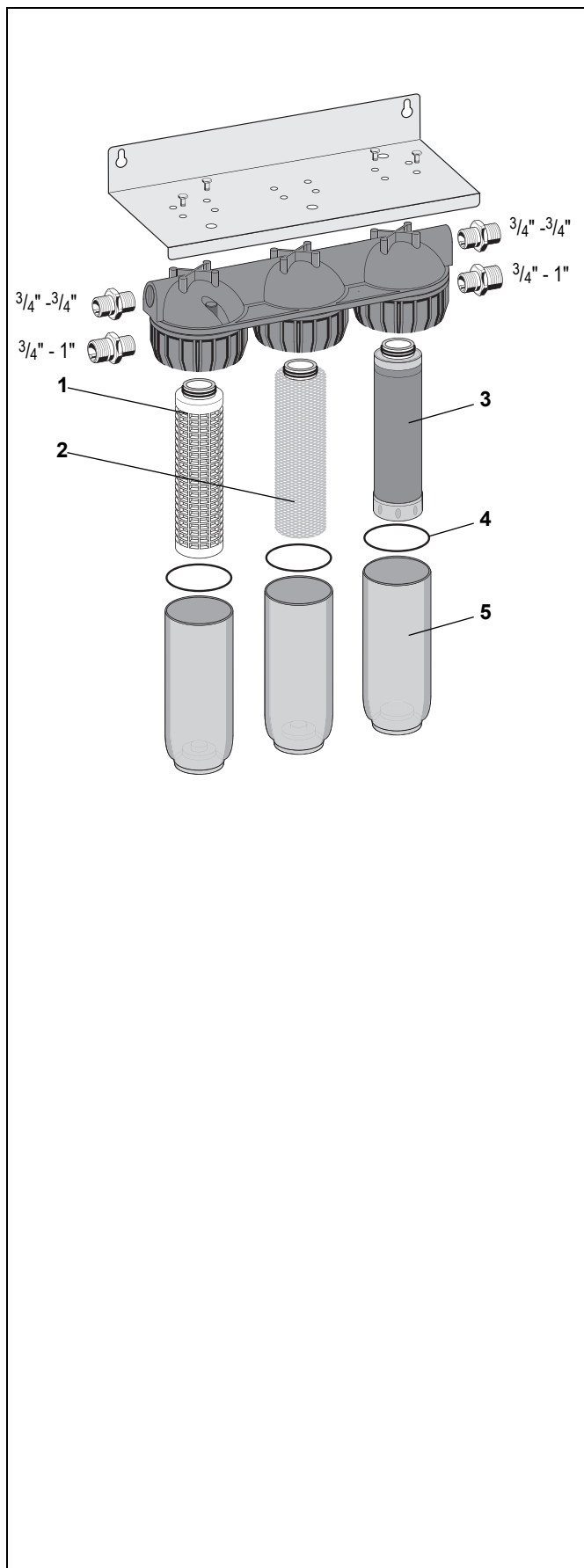
- Before the installation check that the hydraulic system has been set-up according to the state-of-the-art
 - If the inlet pressure exceeds the maximum operating pressure of 6 bar, protect the product with a pressure reducing valve.
 - If on outlet side the risk of hammering exists, it is recommended to protect the filter with an anti-water-hammer device to prevent the outlet pressure exceeds the 6 bar.
- Install in horizontal pipework with filter bowl downwards
 - This position ensures optimum filter efficiency
- Install shutoff valves before and after the filter
- Ensure good access
 - Degree of contamination can be seen with clear filter bowl
 - Simplifies maintenance and inspection
- The installation location should be protected against frost
- Do not install in places where there is strong sunlight

Typical Applications

Fine filters of this type can be applied to rain water treatment. They can also be used for commercial and industrial applications within the limits of their specifications.

Fine filters of this type are installed:

- Where no pressure reducing valve is required (maximum 6.0 bar static pressure)
- Where a pressure reducing valve is already fitted but cannot be retrofitted with a filter



Serviceteile
FF60 TRIPLEX filter

No.	Description	Dimension	Part No.
1	Replacement filter cartridge 100µm	Cartridge Height FF60-WMF 10"	
2	Replacement filter cartridge 25µm	Cartridge Height FF20-DMF 10"	
3	Replacement active carbon cartridge	Cartridge Height FF20-GAC 10"	
4	O-ring set (3 pieces)		OR60
5	Filter bowl incl O-ring		KF60

Automation and Control Solutions

Honeywell GmbH
 Hardhofweg
 74821 MOSBACH
 GERMANY
 Phone: (49) 6261 810
 Fax: (49) 6261 81309
<http://ecc.emea.honeywell.com>

Manufactured for and on behalf of the
 Environmental and Combustion Controls Division
 of Honeywell Technologies Sàrl, Z.A. La Pièce 16,
 1180 Rolle, Switzerland by its Authorised Representative Honeywell GmbH

EN0H-1150GE23 R1113
 Subject to change without notice
 © 2013 Honeywell GmbH

