



**WEVER & DUCRÉ**  
LIGHTING

# SQUBE

## on base #2 PAR16

144520W0

Project	.....
Type	.....
Notes	.....
Quantity	.....
Date	.....

### GENERAL

Ceiling  
Surface  
Signal White  
IP20  
Interior  
915<sup>a</sup> to 925<sup>b</sup> lm  
RAL 9003<sup>c</sup>

### LED

Lamp 2 x PAR16  
PAR16  
Socket GU10  
max. 12 W  
CRI 80

### OPTICAL

Beam angle 47°

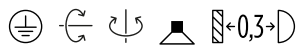
### PHYSICAL

Length 205 mm  
Width 55 mm  
Height 125 mm  
0.58 kg  
Tilt min 90°  
Tilt max 90°  
Rotation 355°

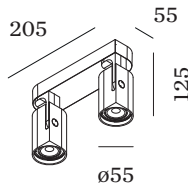
### ELECTRICAL

100 - 240 V  
Total connected power 13.2<sup>b</sup> to 13.3<sup>a</sup> W  
Class 1  
Safety distance 0.3 m

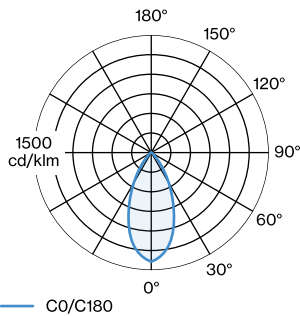
<sup>a</sup> LED 3000K CRI 80 white  
<sup>b</sup> LED 2700K CRI 80 white  
<sup>c</sup> Color may deviate slightly due to production conditions.



Ceiling surface spotlight made from die-cast aluminium; surface Signal White; powder coated; matt texture; RAL 9003; lamp socket GU10; lamp type PAR16; max. 12W; 100 - 240 V; 355° rotatable and 90° tiltable; degree of protection IP20; PC1; lamp not included;



### LIGHT DISTRIBUTION



[144520W0] The technical data represent rated values for an ambient temperature of 25°C. The data values for the luminous flux are initially subject to a tolerance of +/- 10%, those for the electrical connected load are initially subject to a tolerance of +/- 10%, and those for the colour temperature are initially subject to a tolerance of +/- 150 K. No liability is assumed for typographical or printing errors. The general terms and conditions of Wever & Ducré BV apply.  
© Wever & Ducré BV · Spinnerijstraat 99/21 · 8500 Kortrijk · Belgium · www.weverducre.com



WEVER & DUCRÉ  
LIGHTING

# SQUBE

## on base #2 PAR16

144520W0

### CONE DIAGRAM

LED 3000K CRI  $\geq 80$  white

h (m)	EO° (lx)	ø (m)
1	1270	0.88
2	320	1.75
3	140	2.63
4	80	3.50
5	50	4.38

### LAMPS

#### PAR16 LED Lamp

TYPE	COLOUR	Ø · H (MM)	ORDERCODE
2700K   >90 CRI   GU10	Black	ø50-58	9 0 1 2 2 8 B 3
3000K   >90 CRI   GU10	Black	ø50-58	9 0 1 2 2 8 B 5
2700K   >90 CRI   GU10	White	ø50-58	9 0 1 2 2 8 W 3
3000K   >90 CRI   GU10	White	ø50-58	9 0 1 2 2 8 W 5
2700K   >80 CRI   GU10	Silver	ø50-52	9 0 5 2 2 7 S 2
3000K   >80 CRI   GU10	Silver	ø50-52	9 0 5 2 2 7 S 4