

Date

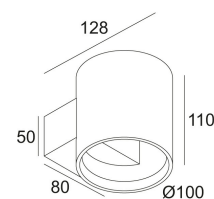
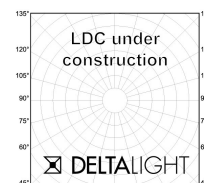
Name

Client

Project Name

Quote#

Type/Quantity

**ORBIT T LED 927****271 05 92**[Lien web](#)

Coloris disponibles: NOIR-OR MAT (271 05 92 B-MMAT)  
BLANC-BLANC (271 05 92 W-W)

INCL.LEDFLEX WHITE 3W / CRI>90 / 2700K / 484lm  
INCL.LED POWER SUPPLY 24V-DC

Technics LED: Source lumineuse: 484 lm // 3 W // 157 lm/W  
Luminaire: 4 W

220-240V / 50-60Hz

Classe: I

Poids: 0.6 KG

Niveau de protection: IP20

Distance minimale: indisp.

Options: COVERSET S 80-90

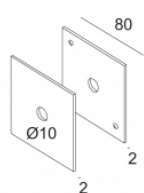
Pour obtenir des instructions d'installation détaillées, Consultez le manuel svp [271\\_05\\_9X\\_HAND.pdf](#)

**ORBIT T LED 927**  
271 05 92

**Références alliées**

**LES SETS POUR RECOUVREMENT PLAFOND**

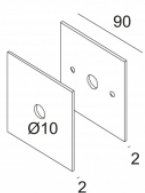
[Lien web / Fiche techn.](#)



The diagram shows two square ceiling cover plates. The top plate is labeled with a side length of 80. The bottom plate is labeled with a side length of 2. A central hole is labeled with a diameter of Ø10. The number 2 is also written below the bottom plate.

**COVERSET S 80**  
204 80 80

[Lien web / Fiche techn.](#)



The diagram shows two square ceiling cover plates. The top plate is labeled with a side length of 90. The bottom plate is labeled with a side length of 2. A central hole is labeled with a diameter of Ø10. The number 2 is also written below the bottom plate.

**COVERSET S 90**  
204 90 90

ORBIT T LED 927  
271 05 92

Image de projet connexe de la famille de produits:

