

Motion detector

IS 360-3

white

EAN 4007841 006532

STEINEL[®]
Intelligent technology



infrared sensor
360°



max. 12 m

2000w

max. 2000 W



IP54



2 - 1000 lux



5 sec - 15 min



Ideal 2 m



energy saving



3 JAHRE
HERSTELLER
GARANTIE
steinel.de/garantie



CE

Function description

The multi-talent for indoors and outdoors. Infrared wall sensor IS 360-3, ideal for mounting under soffits, in carports, on large building facades and driveways, 3 pyro sensors for a 360° angle of coverage, reach can be set up to 12 m, selectable time and twilight threshold, detection zone can be customised with shrouds.

Technical specifications

Type	Motion detectors
Dimensions (Ø x H)	121 x 57 mm
Mains power supply	220 – 240 V / 50 – 60 Hz
Sensor Technology	passive infrared
Application, place	Outdoors, Indoors
Application, place, room	external facade / external area, all round the building, indoors
Installation site	ceiling
Type of installation	Surface wiring
Switching zones	972 switching zones
Electronic scalability	No
Mechanical scalability	No
Mounting height	2,50 – 6,00 m
Optimum mounting height	2,8 m
Detection angle	360 °
Angle of aperture	90 °
Sneak-by guard	Yes
Capability of masking out individual segments	Yes
Reach, radial	Ø 12 m (113 m ²)

Twilight setting TEACH	No
Twilight setting	2 – 1000 lx
Time setting	5 s – 15 Min.
Switching output 1, resistive	2000 W
Switching output 1, number of LEDs / fluorescent lamps	8 pcs.
Constant-lighting control	No
Basic light level function	No
With remote control	No
Interconnection	Yes
IP rating	IP54
Material	Plastic
Ambient temperature	-20 – 50 °C
Colour	white
Colour, RAL	9010
Manufacturer's Warranty	3 years
Version	white
PU1, EAN	4007841006532

<https://www.steinell.de>

Motion detector

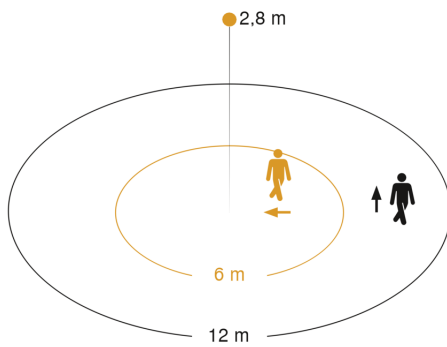
IS 360-3

white

EAN 4007841 006532



Detection Zone

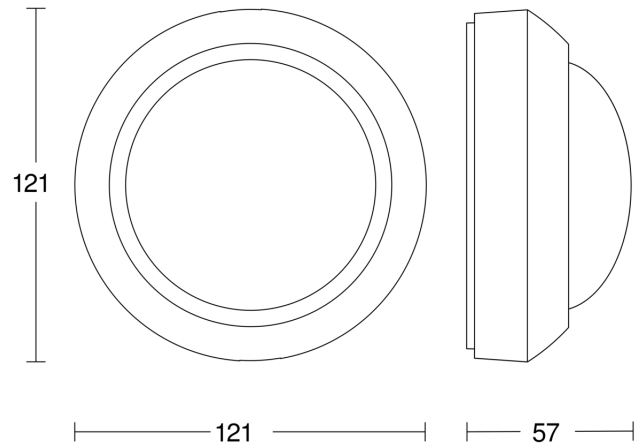


Mögliche Montagehöhe: 2,50 m – 6,00 m

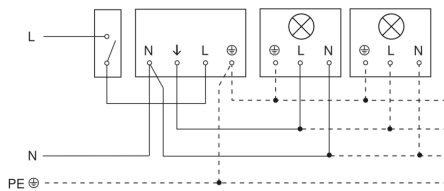
Orange: radial

Schwarz: tangential

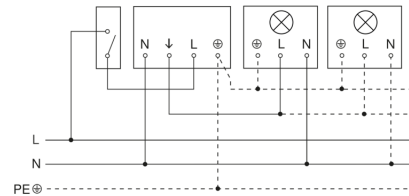
Dimension Drawing



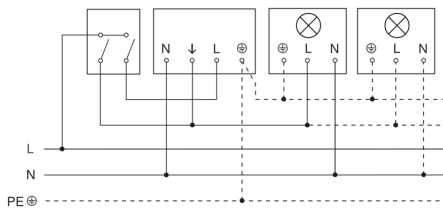
Light without neutral conductor



Light with neutral conductor



Connection using two-circuit switch for manual and automatic operation



Connection via a two-way switch for manual override and automatic operation

