

Motion detector

IS 360-3

black

EAN 4007841 006525

STEINEL[®]
Intelligent technology



infrared sensor
360°



max. 12 m

2000w

max. 2000 W



IP54



2 - 1000 lux



5 sec - 15 min



Ideal 2 m



energy saving



3 JAHRE
HERSTELLER
GARANTIE
steinel.de/garantie



CE

Function description

The multi-talent for indoors and outdoors. Infrared wall sensor IS 360-3, ideal for mounting under soffits, in carports, on large building facades and driveways, 3 pyro sensors for a 360° angle of coverage, reach can be set up to 12 m, selectable time and twilight threshold, detection zone can be customised with shrouds.

Technical specifications

| | |
|---|--|
| Type | Motion detectors |
| Dimensions (Ø x H) | 121 x 57 mm |
| Mains power supply | 220 – 240 V / 50 – 60 Hz |
| Sensor Technology | passive infrared |
| Application, place | Outdoors, Indoors |
| Application, place, room | external facade / external area, all round the building, indoors |
| Installation site | ceiling |
| Type of installation | Surface wiring |
| Switching zones | 972 switching zones |
| Electronic scalability | No |
| Mechanical scalability | No |
| Mounting height | 2,50 – 6,00 m |
| Optimum mounting height | 2,8 m |
| Detection angle | 360 ° |
| Angle of aperture | 90 ° |
| Sneak-by guard | Yes |
| Capability of masking out individual segments | Yes |
| Reach, radial | Ø 6 m (28 m ²) |

| | |
|--|---------------|
| Twilight setting TEACH | No |
| Twilight setting | 2 – 1000 lx |
| Time setting | 5 s – 15 Min. |
| Switching output 1, resistive | 2000 W |
| Switching output 1, number of LEDs / fluorescent lamps | 8 pcs. |
| Constant-lighting control | No |
| Basic light level function | No |
| With remote control | No |
| Interconnection | Yes |
| IP rating | IP54 |
| Material | Plastic |
| Ambient temperature | -20 – 50 °C |
| Colour | black |
| Colour, RAL | 9005 |
| Manufacturer's Warranty | 3 years |
| Version | black |
| PU1, EAN | 4007841006525 |

<https://www.steinell.de>

Motion detector

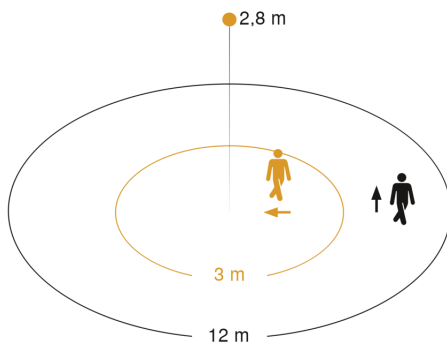
IS 360-3

black

EAN 4007841 006525



Detection Zone

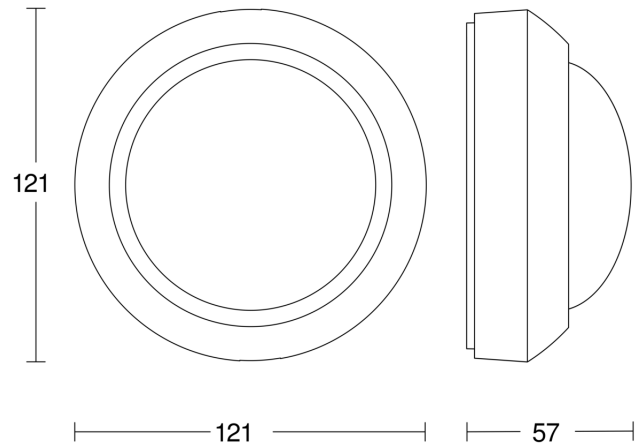


Mögliche Montagehöhe: 2,50 m – 6,00 m

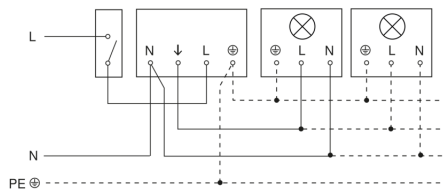
Orange: radial

Schwarz: tangential

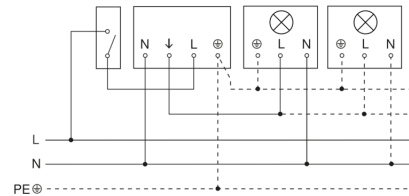
Dimension Drawing



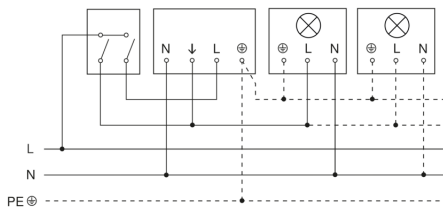
Light without neutral conductor



Light with neutral conductor



Connection using two-circuit switch for manual and automatic operation



Connection via a two-way switch for manual override and automatic operation

