

Gigabit Ethernet Switch 4 + 4PoE ports DIN-rail mountable



ABI-EL4108SPE

- ✓ SOHO "Power User" switch
- ✓ 4 ports 1000Mbps Gigabit Ethernet
- ✓ 4 ports 1000Mbps Gigabit Ethernet with PoE 15W/port
- ✓ Combined 16 Gigabit/s bandwidth
- ✓ Full IEEE 802.3 af Power-over Ethernet compliance
- ✓ DIN-rail mount, horizontal mount, vertical mount
- ✓ Outstanding Cooling and EMC protection
- ✓ Long lifetime



This "SOHO Power User" 4 +4 PoE port Gigabit Ethernet switch offers very high speed and allows the remote powering of up to 4 network devices that require PoE powering. It has a nonblocking switch architecture and filters and forwards packets at full wire-speed for top performance. The ports automatically recognise all attached network equipment and choose the highest possible bit rate (10, 100 or 1000Mbps) and transmission mode for each equipment. Standards-based flow control takes care of flawless Full Duplex and Half Duplex transmission modes. The auto MDI/MDIX function eliminates the need (and risk of errors) for crossover patch cords.

4 ports are straight Gigabit ports, 4 are Power Source Equipment Gigabit PoE ports that provide 48V power to attached Powered Devices (15.4W/port, 53W total)

The switch measures link status and cable length and adjusts power consumption or shuts down unused ports accordingly. This green feature is accompanied by RoHS and WEEE compliance.

This "SOHO Power User" switch is eminently suited as basis for an ultra fast Gigabit home network, with 4 ports capable of powering camera, WiFi access point, access control keypad, touchpanel, VoIP phone set, etc.

The switch comes in a new flatpack Aluminium housing which provides eminent cooling and ESD protection.

The switch is designed to our VertiGo principle: it can be mounted horizontal (shelf), vertical (wall, DIN rail) or at a 45° angle (DIN rail) by means of the ingenious D-clip.

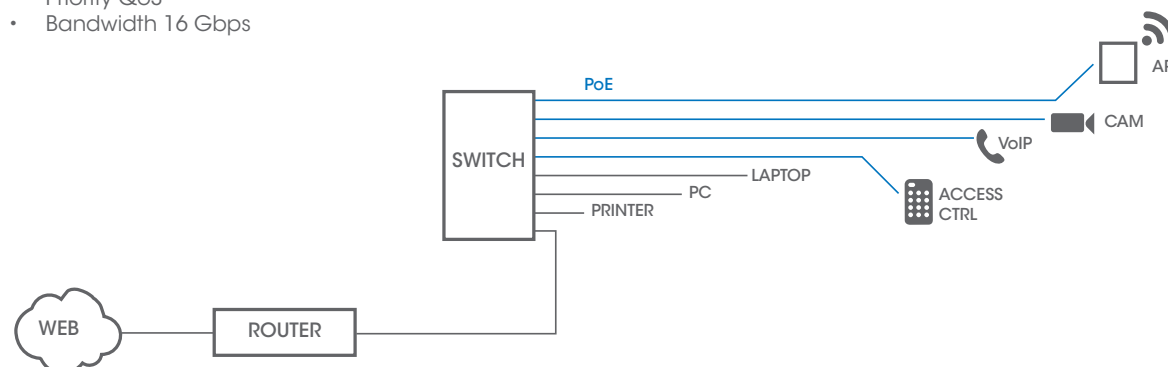
The 53W PoE power supply ABI-PS4048S12 is included.

CHARACTERISTICS

- 4 ports 10/100/1000Mbps
- 4 ports 10/100/1000Mbps with PoE PSE output
- MDI/MDIX
- Auto sense/auto negotiate
- 48V power supply (ABI-PS4048S12) included
- DIN-rail mount - 9 std positions wide
- Power drain max/standby: 60W/0,3W
- Priority QoS
- Bandwidth 16 Gbps

IEEE standards compliant:

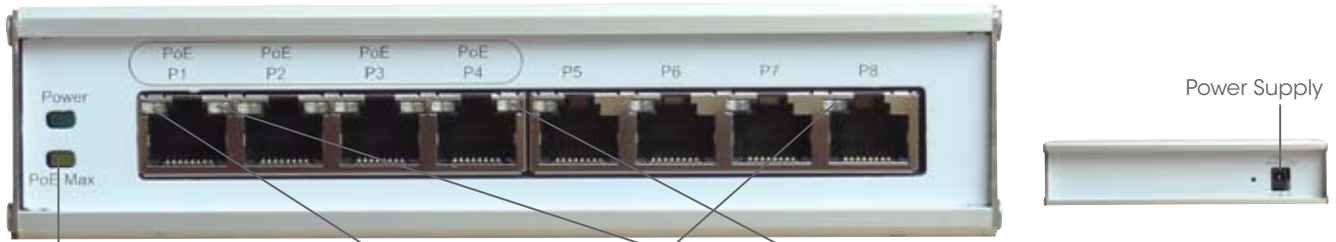
- 802.3i/u/ab 10/100/1000BASE-T
- 802.3 Flow control
- 802.1 Priority QoS
- 802.3 CSMA/CD
- 802.3 az Energy Efficient Ethernet
- 802.3 af PoE ports



© abitana 01/2019 - ABI-EL4108SPE_datasheet_EN

Specifications are subject to change without notice.

OPERATION



PoE MAX:

Off: more than 7W available for extra PoE devices
On: less than 7W available for extra PoE devices
Blinking: The LED has been on in the past 2 minutes

PoE and Standard ports, left LED: state and traffic of the link.

Off: No active connection
Green: Gigabit Ethernet device connected
Yellow: 10/100 Mbps device connected
Blinking: Network traffic indicator

PoE ports, right LED: attachment of a PoE device (PD)

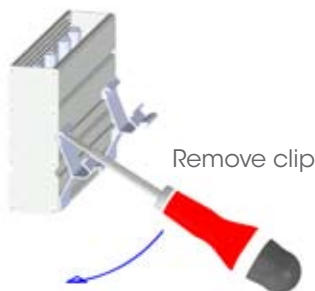
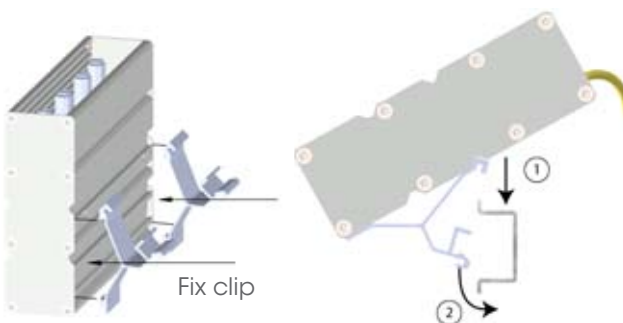
Off: No PoE device connected
Green: PoE device connected
Yellow: PoE error (i.e. power overload)

Each PoE port can supply up to 15W. The maximum power for the whole switch is limited to 53W. Power supply to the ports is prioritized according to the port number (Port 1 has the highest priority). As soon as the total amount of 53W is exceeded, the port with the lowest priority (highest port number) will be powered off. It is unlikely all connected devices consume the maximum allowed 15W. In most cases all PoE ports will be available for the connection of PoE network devices. It is possible to connect non-PoE devices to a PoE port. It is important not to overload the switch to avoid network problems and equipment faults! Damage caused by overload will not be treated under warranty.

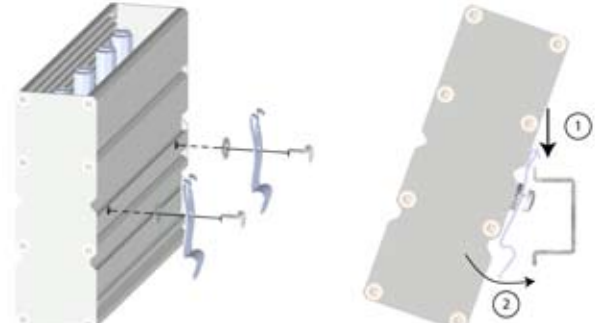
Only use the power supply (nominal 48VDC/1.2A) that came with the switch, or an equivalent proposed by Abitana.

VertiGo MOUNTING

45° DINrail



Vertical DINrail (optional)



Horizontal

