

HWK-N4184TH-MH 4MP PoE Kit

Key Feature

- H.265+/H.265/H.264+/H.264 video compression
- PoE connection
- 4 × 4 MP IR fixed network turret camera
- 1 x NVR, full channel recording at up to 4 MP resolution



Camera

- 1/3" Progressive Scan CMOS
- 2560 × 1440@20 fps
- 2.8 mm fixed lens
- Color: 0.01 Lux @(F2.0; AGC ON)
- 3D Digital Noise Reduction

NVR

- Up to 8-ch network camera inputs (up to 4 MP)
- 4-ch@1080p decoding capability
- HDMI/VGA simultaneous output with up to 1920 × 1080 resolution
- Hik-Connect for easy network management



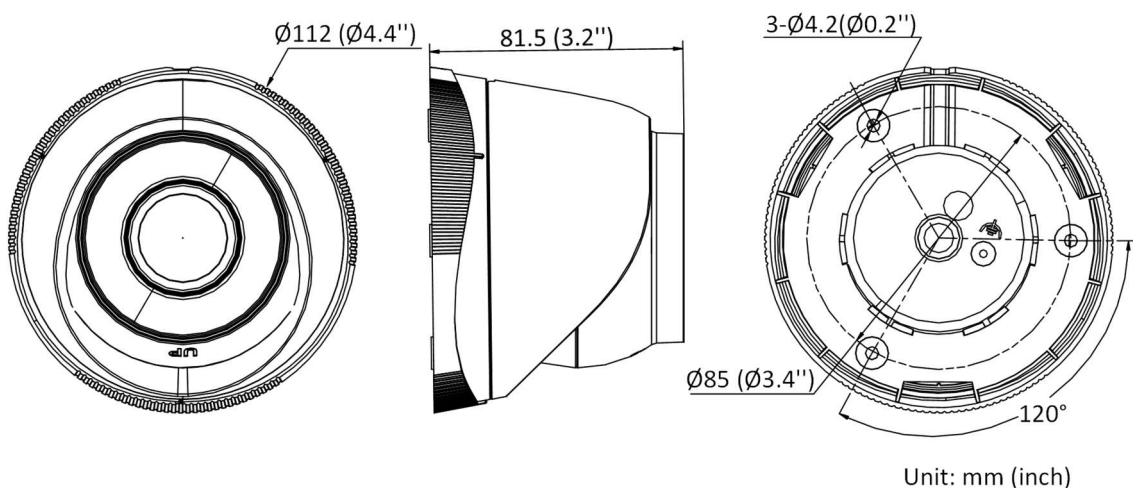
Kit model	HWK-N4184BH-MH
Camera Model	4 × IPC-T240H (2.8 mm)
NVR Model	HWN-2108MH-8P
NVR	HWN-2108MH-8P
Video and Audio	
IP video input	8-ch
	Up to 4 MP resolution
Incoming bandwidth	60 Mbps
Outgoing bandwidth	60 Mbps
HDMI output	1-ch, 1920 × 1080p/60Hz, 1280 × 1024/60Hz, 1280 × 720/60Hz, 1024 × 768/60Hz
VGA output	1-ch, 1920 × 1080p/60Hz, 1280 × 1024/60Hz, 1280 × 720/60Hz, 1024 × 768/60Hz
Video output mode	HDMI/VGA simultaneous output
Decoding	
Decoding format	H.265+/H.265/ H.264+/H.264
Recording resolution	4 MP/3 MP/1080p/UXGA /720p/VGA/4CIF/DCIF/ 2CIF/CIF/QCIF
Synchronous playback	8-ch
Capability	4-ch@1080p (25 fps), 2-ch@4 MP (25 fps)
Stream type	Video, Video & Audio
Network	
Remote connection	16
Network protocol	TCP/IP, DHCP, Hik-Connect, DNS, DDNS, NTP, SADP, SMTP, UPnP™
Network interface	1, RJ-45 10/100 Mbps self-adaptive Ethernet interface
PoE	
Interface	8, RJ-45 10/100 Mbps self-adaptive Ethernet interface
Power	≤ 75 W
Supported standard	IEEE 802.3 af/at
Auxiliary interface	
SATA	1 SATA interface
Capacity	Up to 6 TB capacity for each disk
Alarm in/out	N/A
USB interface	Rear panel: 2 × USB 2.0
General	
Power supply	48 VDC
Consumption (without HDD and PoE off)	≤ 10 W
Working temperature	-10 °C to 55 °C (14 °F to 131 °F)
Working humidity	10% to 90%
Dimension (W × D × H)	265 × 225 × 48 mm (10.4" × 8.9" × 1.9")
Weight (without HDD)	≤ 1 kg (2.2 lb)
Certification	
FCC	Part 15 Subpart B, ANSI C63.4-2014
CE	EN50130-4, EN 61000-3-2, EN 61000-3-3

Camera	IPC-T240H (2.8 mm)
Image Sensor	1/3" progressive scan CMOS
Min. Illumination	Color: 0.01 Lux @(F2.0, AGC ON), B/W: 0 Lux with IR
Shutter Speed	1/3 s to 1/100,000 s
Day & Night	IR cut filter
WDR	DWDR
Angle Adjustment	Pan: 0° to 360°, tilt: 0° to 180°, rotation: 0° to 360°
Protection Level	IP67
Material	Metal & Plastic
Lens	
Focal Length	2.8 mm
Aperture	F2.0
Focus	Fixed
FOV	horizontal FOV 98.0°, vertical FOV 53.1°, diagonal FOV 114.7°
Lens Mount	M12
IR	
IR Range	Up to 30 m
Compression Standard	
Video Compression	Main stream: H.265/H.264/H.265+/H.264+ Sub-stream: H.265/H.264/MJPEG
H.264 Type	Main Profile/High Profile/Baseline Profile
H.264+	Main Profile
H.265 Type	Main Profile
H.265+	Main Profile
Video Bit Rate	32 Kbps to 8 Mbps
Image	
Max. Resolution	2560 × 1440
Main Stream	50 Hz: 20 fps (2560 × 1440) 25 fps (2304 × 1296, 1920 × 1080, 1280 × 720) 60 Hz: 20 fps (2560 × 1440) 30 fps (2304 × 1296, 1920 × 1080, 1280 × 720)
Sub-stream	50 Hz: 25 fps (640 × 480, 640 × 360); 60 Hz: 30 fps (640 × 480, 640 × 360)
Image Setting	Saturation, brightness, contrast, sharpness, AGC, white balance adjustable by client software or web browser
Day/Night Switch	Auto/Scheduled/Day/Night
Network	
Alarm Trigger	Motion detection, video tampering alarm, exception
Protocols	TCP/IP, ICMP, HTTP, HTTPS, FTP, DHCP, DNS, DDNS, RTP, RTSP, RTCP, PPPoE, NTP, UPnP™, SMTP, SNMP, IGMP, 802.1X, QoS, IPv6, Bonjour, IPv4, UDP, SSL/TLS
General Function	Anti-flicker, heartbeat, mirror, password protection, privacy mask, watermark, IP address filter
Client	iVMS-4200, HiK-Connect
Interface	
Communication Interface	1 RJ45 10M/100M self-adaptive Ethernet port
General	

Power Supply	12 VDC \pm 25%, Φ 5.5 mm coaxial plug power, or PoE (802.3af, class 3)
Consumption	12 VDC, 0.4 A, max. 5 W PoE: (802.3af, 36 V to 57 V), 0.2 A to 0.15 A, max. 6.5 W
Working Temperature	-30 °C to 60 °C (-22 °F to 140 °F)
Working Humidity	95% or less (non-condensing)
Dimension (W \times D \times H)	Φ 112 mm \times 81.5 mm (Φ 4.41" \times 3.21")
Weight	Approx. 320 g (0.7 lb)
Kit	
Accessories	Power: 1 power cable Network cable: 4 \times 18.3 m (60 ft) video and power cable
Certification	FCC, CE
Weight (with package)	\leq 8 kg (17.6 lb)




Camera Dimension

HWT-T240H

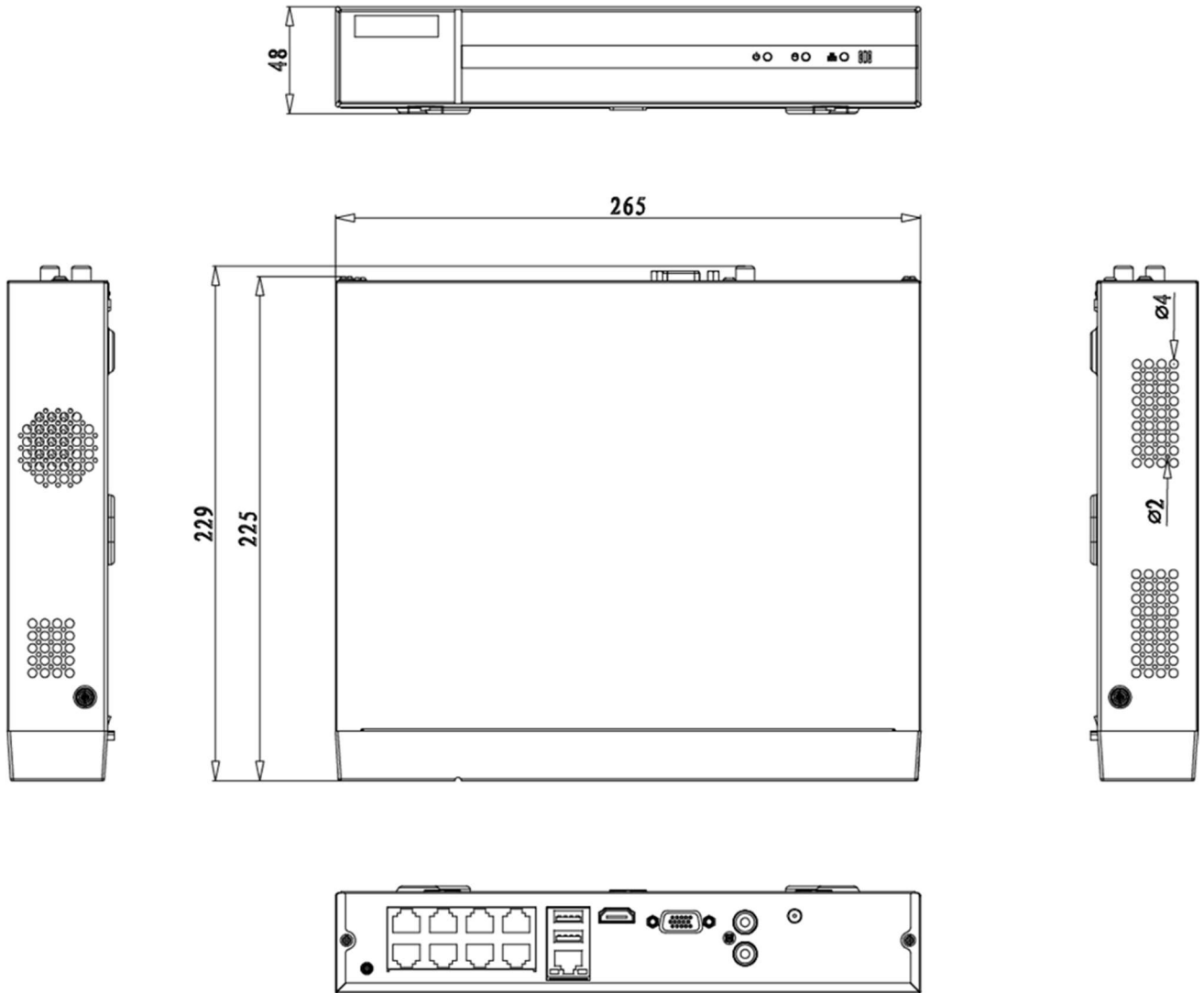


Accessory

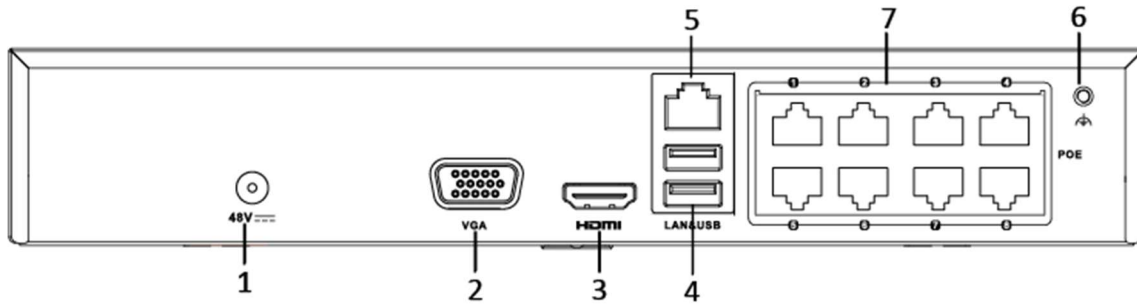
Optional

DS-1276ZJ-SUS Corner Mount	DS-1280ZJ-S Junction Box	DS-1275ZJ-SUS Vertical Pole Mount	DS-1272ZJ-110-TRS Wall Mount
			

NVR Dimension



NVR Physical Interface



No.	Description	No.	Description
1	Power supply	5	LAN Network Interface
2	VGA interface	6	Ground
3	HDMI interface	7	Network Interfaces with PoE function
4	USB interface		

Available Model

HWK-N4184TH-MH

Distributed by



Headquarters

No.555 Qianmo Road, Binjiang District,
Hangzhou 310051, China
T +86-571-8807-5998
overseasbusiness@hikvision.com

Hikvision USA
T +1-909-895-0400
sales.usa@hikvision.com

Hikvision Europe
T +31-23-55-42-770
info.eu@hikvision.com

Hikvision Middle East
T +971-4-8816086
salesme@hikvision.com

Hikvision Russia
T +7-495-669-67-99
saleru@hikvision.com

Hikvision India
T +91-22-28469900
sales@pramahikvision.com

Hikvision Italy
T +39-0438-6902
info.it@hikvision.com

Hikvision France
T +33(0)1-85-330-450
info.fr@hikvision.com

Hikvision Spain
T +34-91-737-16-55
info.es@hikvision.com

Hikvision Poland
T +48-22-460-01-50
poland@hikvision.com

Hikvision UK
T +01628-902140
support.uk@hikvision.com

Hikvision Singapore
T +65-6684-4718
sg@hikvision.com

Hikvision Oceania
T +61-2-8599-4233
salesau@hikvision.com

Hikvision Canada
T +1-909-895-0400
sales.usa@hikvision.com

Hikvision Korea
T +82-31-731-8841
sales.korea@hikvision.com

Hikvision Brazil
T +55 11 3318-0050
Latam.support@hikvision.com

Hikvision Africa
T +27 (10) 0351172
sale.africa@hikvision.com

Hikvision Hong Kong
T +852-2151-1761

0100001091030